



www.Source1Parts.com

HVAC SERVICE PARTS

# EABA, EBBA SERIES - 10 SEER , 1PH & 3PH HEAT PUMP- OUTDOOR UNIT

Supersedes:035-13566-001 Rev. D (0603)

035-13566-001 Rev. E (0104)

1 of 8

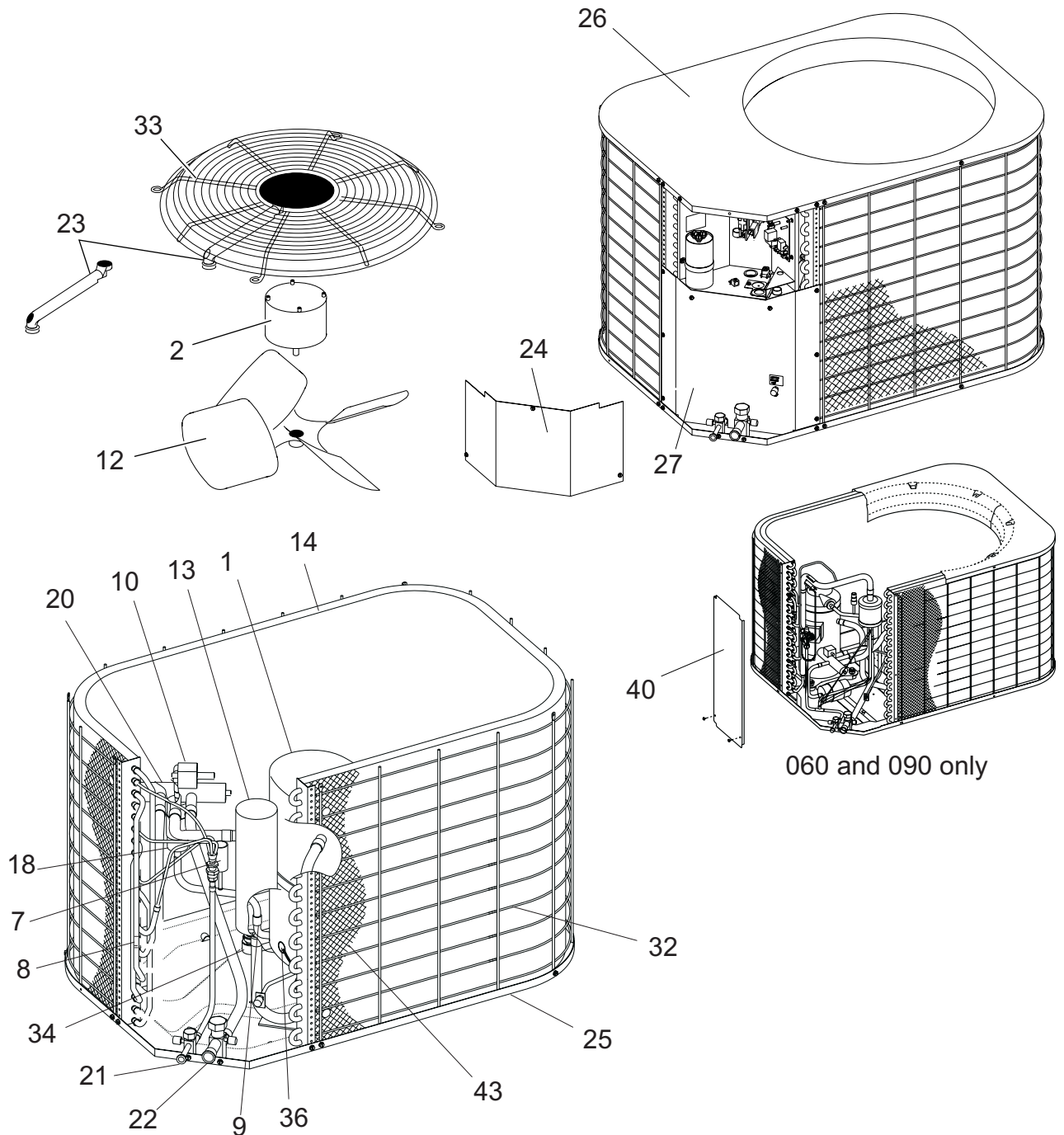


FIG. 1 - HEAT PUMP- OUTDOOR UNIT

### Models 18, 24, 30, and 36- Single Phase

FIG	ITEM	DESCRIPTION	EBBA-F018SE	EBBA-F024SE	EABA-F030SE	EABA-F036SE
1	1	Compressor, Hermetic	015-02901-004	015-02697-001	015-02774-001	015-02624-001
*	1A	Harness, Compressor	025-31884-000	025-31884-000	025-31884-000	025-31884-000
1	2	Motor, Fan	024-26067-010	024-26067-010	024-26020-000	024-26020-000
2	3	Capacitor, Run (30/5MFD) [RC]	024-24778-000	024-24778-000	---	---
		Capacitor, Run (35/5MFD) [RC]	---	---	024-23998-000	---
		Capacitor, Run (45/5MFD) [RC]	---	---	---	024-25895-000
2	4	Switch, Limit (Heater)	025-31924-000	025-31924-000	025-31924-000	025-31924-000
2	5	Contact, Electrical (30 amp) [M]	024-27531-000	024-27531-000	024-27531-000	024-27531-000
2	6	Control, Defrost	031-09104-000	031-09104-000	031-09104-000	031-09104-000
1	7	Control, Pressure	025-33305-048	025-33305-048	025-33305-048	025-33305-048
1	8	Sensor, Liquid Replacement	025-31994-000	025-31994-000	025-31994-000	025-31994-000
1	9	Switch, High Temperature	---	---	---	---
1	10	Coil, Solenoid	1456-9761	1456-9761	1456-9761	1456-9761
2	11	Fan Relay	---	---	---	---
1	12	Blade, Fan (18")	026-34091-000	026-34091-000	026-34092-000	026-34092-000
1	13	Accumulator	026-34089-000	026-34089-000	026-34089-000	026-34089-000
1	14	Coil, Condenser	373-19800-011	373-19800-012	373-19800-013	373-19800-013
2	15	Distributor (.037 Orifice)	022-09010-337	-	---	---
		Distributor (.042 Orifice)	---	022-09010-342	---	---
		Distributor (.044 Orifice)	---	---	022-09010-444	---
		Distributor (.055 Orifice)	---	---	---	022-09010-455
	16					
*	17	Check Valve	---	---	---	---
1	18	Filter Drier	1458-0011	1458-0011	1458-0011	1458-0011
	19					
1	20	Valve, Reversing	025-31931-000	025-31931-000	025-31931-000	025-31922-000
1	21	Valve, Liquid (3/8")	025-31899-000	025-31899-000	025-31899-000	025-31899-000
1	22	Valve, Suction (3/4")	025-31900-000	025-31900-000	025-31900-000	025-31900-000
1	23	Wireway, (Electric Channel)	028-13215-000	028-13215-000	028-13215-000	028-13215-000
1	24	Cover, Electric Box	2218-1151/A	2218-1151/A	2218-115/A	2218-115/A
1	25	Base, Pan	2218-1011	2218-1011	2218-1011	2218-1011
1	26	Panel, Top	2218-1021/A	2218-1021/A	2218-1021/A	2218-1021/A
1	27	Plate, Block-Off	2236-1081/B	2242-1081/B	2242-1081/B	2242-1081/B
*	28	Indoor Orifice (.053)	029-19387-002	---	---	---
		Indoor Orifice (.051)	029-19387-021	---	---	---
		Indoor Orifice (.061)	---	029-19387-003	---	---
		Indoor Orifice (.059)	---	029-19387-010	---	---
		Indoor Orifice (.065) <b>(See Note 1)</b>	---	---	029-19387-011	---
		Indoor Orifice (.067)	---	---	029-19387-016	---
		Indoor Orifice (.073)	---	---	---	029-19387-005
Indoor Orifice (.075)	---	---	---	029-19387-017		
	29					
2	30	Ground Lug	025-21798-000	025-21798-000	025-21798-000	025-21798-000
2	31	Strain Relief	1216-243	1216-243	1216-243	1216-243
1	32	Guard, Coil	<b>373-20091-008</b>	<b>373-20091-009</b>	<b>373-20091-009</b>	<b>373-20091-009</b>
1	33	Guard, Fan	026-35511-018	026-35511-018	026-35511-018	026-35511-018
1	34	Isolator, Compressor (Pkg. of 4)	9435-1081	9435-1081	9435-1081	9435-1081
2	35	Electrical Plug	025-33306-006	025-33306-006	025-33306-006	025-33306-006
1	36	Crankcase Heater	1450-9511	---	---	---
*	37	Diagram, Wiring	035-15860-003	035-15860-003	035-15860-003	035-15860-003
*	38	Kit, Motor Mounting (Acorn Nuts)	363-90117-700	363-90117-700	363-90117-700	363-90117-700
1	43	Mesh, Coil Guard	028-14726-000	028-14727-000	028-14727-000	028-14727-000
*	44	Fastener, Push-in (4 Req'd)	021-18381-000	021-18381-000	021-18381-000	021-18381-000

**NOTE:** \*Not Shown

New replacement parts shown in **bold** face type at the first printing of parts list dated 1/04.

Major components and suggested stocking items are shown with shaded item number.

"<" Across from row indicates a change in that row.

--- Not applicable to specified model.

1 Refer to Tech Guide for proper selection of orifice.

**Models 42, 48, and 60- Single Phase**

FIG	ITEM	DESCRIPTION	EABA-F042SE	EBBA-F048SA	EABA-F060SE
1	1	Compressor, Hermetic	015-02763-004	015-02793-004	015-02768-004
*	1A	Harness, Compressor	025-31884-000	---	---
1	2	Motor, Fan	024-27596-000	024-27596-000	024-27596-000
2	3	Capacitor, Run (40/5MFD) [RC]	024-25894-000	---	---
		Capacitor, Run (50/5MFD) [RC]	---	024-25896-000	---
		Capacitor, Run (80/5MFD) [RC]	---	---	024-26037-000
2	4	Switch, Limit (Heater)	025-31924-000	---	---
2	5	Contact, Electrical (30 amp) [M]	024-27531-000	024-27531-000	---
		Contact, Electrical (40 amp) [M]	---	---	024-25837-000
2	6	Control, Defrost	031-09104-000	031-09104-000	031-09104-000
1	7	Control, Pressure	025-33305-048	025-33305-048	025-33305-048
1	8	Sensor, Liquid Replacement	025-31994-000	025-31994-000	025-31994-000
1	9	Switch, High Temperature	---	---	---
1	10	Coil, Solenoid	1456-9761	1456-9761	1456-9761
2	11	Fan Relay	---	---	---
1	12	Blade, Fan (22")	026-34593-000	026-34593-000	026-34094-000
1	13	Accumulator	026-34090-000	026-35441-000	026-34090-000
1	14	Coil, Condenser	373-19800-014	373-19800-015	373-19800-016
2	15	Distributor (.060 Orifice)	022-09010-460	---	---
		Distributor (.063 Orifice)	---	022-09010-563	---
		Distributor Assembly	---	---	1454A3391
	16				
*	17	Valve, Check	---	---	3230-3731
1	18	Filter Drier	6536-3341	6536-3341	026-34506-000
	19				
1	20	Valve, Reversing	025-31922-000	025-31929-000	025-31930-000
1	21	Valve, Liquid (3/8")	025-31899-000	025-31899-000	025-31899-000
1	22	Valve, Suction (3/4")	025-31900-000	---	---
		Valve, Suction (7/8")	---	025-31901-000	025-31901-000
1	23	Wire Way (Electrical Channel)	028-13216-000	028-13216-000	028-13216-000
1	24	Cover, Electric Box	2218-1151/A	2218-1151/A	2218-1151/A
1	25	Base, Pan	2260-1011	2260-1011	2260-1011
1	26	Panel, Top	2260-1021/A	2260-1021/A	2260-1021/A
1	27	Plate, Block-Off	2248-1081/B	3948-1081/B	2660-1081/B
*	28	Indoor Orifice (.078)	029-19387-006	---	---
		Indoor Orifice (.081)	029-19387-012	029-19387-012	---
		Indoor Orifice (.075) <b>(See Note 1)</b>	029-19387-017	---	---
		Indoor Orifice (.087)	---	029-19387-007	029-19387-007
		Indoor Orifice (.084)	---	029-19387-019	---
	29				
2	30	Ground Lug	025-21798-000	025-21798-000	025-21798-000
2	31	Strain Relief	1216-243	1216-243	1216-243
1	32	Guard, Coil	<b>373-20091-010</b>	<b>373-20091-012</b>	<b>373-20091-013</b>
1	33	Guard, Fan	026-35511-022	026-35511-022	026-35511-022
1	34	Isolator, Compressor (Pkg. of 4)	9435-1081	---	---
		Isolator, Compressor (4 Req'd)	---	028-12355-000	028-12355-000
2	35	Electrical Plug	025-33306-006	025-33306-006	025-33306-006
1	36	Crankcase Heater	1450-9511	---	---
*	37	Diagram, Wiring	035-15860-003	035-15860-003	035-15860-003
*	38	Kit, Motor Mounting (Acorn Nuts)	363-90117-700	363-90117-700	363-90117-700
*	39	Assembly, Orifice	---	---	025-31897-000
1	43	Mesh, Coil Guard	028-14728-000	028-14731-000	028-14733-000
*	44	Fastener, Push-in (4 Req'd)	021-18381-000	---	---
		Fastener, Push-in (6 Req'd)	---	021-18381-000	021-18381-000

**NOTE:** \*Not ShownNew replacement parts shown in **bold** face type at the first printing of parts list dated 1/04.

Major components and suggested stocking items are shown with shaded item number.

"←" Across from row indicates a change in that row.

--- Not applicable to specified model.

1 Refer to Tech Guide for proper selection of orifice.

**Models 36, 48, 60, and 90- Three Phase 208-230 Volt**

FIG	ITEM	DESCRIPTION	EABA-T036SA	EBBA-T048SA	EABA-T060SA	EABA-T090SA
1	1	Compressor, Hermetic	015-02625-001	015-02992-004	015-02960-004	015-02923-004
*	1A	Harness, Compressor	---	---	---	---
1	2	Motor, Fan	024-26020-000	024-27596-000	024-27596-000	024-27622-000
2	3	Capacitor, Run (5MFD) [RC] Capacitor, Run (15MFD) [RC]	1499-4421 ---	1499-4421 ---	1499-4421 ---	--- 1499-4621
2	4	Switch, Limit (Heater)	025-31924-000	---	---	---
2	5	Contact, Electrical (30 amp) [M] Contact, Electrical (40 amp) [M]	024-25842-000 ---	024-25842-000 ---	024-25842-000 ---	--- 024-25844-000
2	6	Control, Defrost	031-09104-000	031-09104-000	031-09104-000	031-09104-000
1	7	Control, Pressure	025-33305-048	025-33305-048	025-33305-048	025-33305-048
1	8	Sensor, Liquid Replacement	025-31994-000	025-31994-000	025-31994-000	025-31994-000
1	9	Switch, High Temperature	---	---	---	025-31925-000
1	10	Coil, Solenoid	1456-9761	1456-9761	1456-9761	1456-9761
2	11	Fan Relay	---	---	---	1460-5101
1	12	Blade, Fan (18") Blade, Fan (22") Blade, Fan (24")	026-34092-000 --- ---	--- 026-34593-000 ---	--- --- 026-35437-000	--- --- 026-35492-000
1	13	Accumulator	026-34089-000	026-35411-000	026-34090-000	026-25573-007
1	14	Coil, Condenser	373-19800-013	373-19800-015	373-19025-503	373-19026-903
2	15	Distributor (.055 Orifice) Distributor (.063 Orifice) Distributor (.067 Orifice) Distributor Assembly	022-09010-455 --- --- ---	--- 022-09010-563 --- ---	--- --- 022-09010-667 ---	--- --- --- 025-33381-000
	16					
*	17	Valve, Check	---	---	---	022-08938-000
1	18	Filter Drier	1458-0011	6536-3341	026-34506-000	026-35458-000
	19					
1	20	Valve, Reversing	025-31922-000	025-31929-000	025-31930-000	025-33379-000
1	21	Valve, Liquid (3/8") Valve, Liquid (1/2")	025-31899-000 ---	025-31899-000 ---	025-31899-000 ---	--- 023-18362-000
1	22	Valve, Suction (3/4") Valve, Suction (7/8") Valve, Suction (1 1/8")	025-31900-000 --- ---	--- 025-31901-000 ---	--- 025-31901-000 ---	--- --- 023-18363-000
1	23	Wireway (Electrical Channel)	028-13215-000	028-13216-000	028-13297-000	028-13297-000
1	24	Cover, Electric Box	2218-1151/A	2218-1151/A	073-19009-101	073-19009-101
1	25	Base, Pan	2218-1011	2260-1011	073-19001-000	073-19001-000
1	26	Panel, Top	2218-1021/A	2260-1021/A	073-19002-001	073-19002-001
1	27	Plate, Block-Off	2242-1081/B	3948-1081/B	073-19008-124	073-19008-130
*	28	Indoor Orifice (.075) Indoor Orifice (.071) Indoor Orifice (.081) <b>(See Note 1)</b> Indoor Orifice (.084) Indoor Orifice (.099)	029-19387-017 029-19387-029 --- --- ---	--- --- 029-19387-012 029-19387-019 ---	--- --- --- --- 029-19387-020	--- --- --- --- ---
	29					
2	30	Ground Lug	025-21798-000	025-21798-000	025-21798-000	025-21798-000
2	31	Strain Relief	1216-243	1216-243	1216-243	1216-243
1	32	Guard, Coil	<b>373-20091-009</b>	<b>373-20091-012</b>	<b>373-20091-014</b>	<b>373-20091-022</b>
1	33	Guard, Fan	026-35511-018	026-35511-022	026-35511-024	026-35511-024
1	34	Isolator, Compressor (Pkg. of 4) Isolator, Compressor (4 Req'd)	9435-1081 ---	--- 028-12355-000	--- 028-12355-000	--- 028-12355-000
2	35	Electrical Plug	025-33306-006	025-33306-006	025-33306-006	025-33306-006
1	36	Crankcase Heater	1450-9511	---	---	---
*	37	Diagram, Wiring	035-15802-003	035-15802-003	035-15802-003	035-15842-003
*	38	Kit, Motor Mounting (Acorn Nuts)	363-90117-700	363-90117-700	363-90117-700	363-90117-700
*	39	Assembly, Orifice	---	---	---	---
1	40	Panel, Filler	---	---	073-19007-124	073-19007-130
2	41	Transformer	---	---	---	025-30376-000
*	42	Valve, Expansion	---	---	---	025-33380-000
1	43	Mesh, Coil Guard	028-14727-000	028-14731-000	028-14729-000	028-14732-000
*	44	Fastener, Push-in (4 Req'd) Fastener, Push-in (6 Req'd)	021-18381-000 ---	--- 021-18381-000	--- 021-18381-000	--- 021-18381-000

**NOTE:** \*Not Shown  
 New replacement parts shown in **bold** face type at the first printing of parts list dated 1/04.  
 Major components and suggested stocking items are shown with shaded item number.  
 "<" Across from row indicates a change in that row.  
 --- Not applicable to specified model.  
 1 Refer to Tech Guide for proper selection of orifice.



**Models 36, 48, 60, and 90- Three Phase 460 Volt**

FIG	ITEM	DESCRIPTION	EABA-W036SA	EBBA-W048SA	EABA-W060SA	EABA-W090SA
1	1	Compressor, Hermetic	015-02626-001	015-02993-004	015-02961-004	015-02924-004
*	1A	Harness, Compressor	---	---	---	<b>373-19097-550</b>
1	2	Motor, Fan	024-27532-000	024-27533-000	024-27534-000	024-27623-000
2	3	Capacitor, Run (5MFD) [RC] Capacitor, Run (15MFD) [RC]	1499-4421 ---	1499-4421 ---	1499-4421 ---	--- 1499-4621
2	4	Switch, Limit (Heater)	025-31924-000	---	---	---
2	5	Contact, Electrical (30 amp) [M] Contact, Electrical (40 amp) [M]	024-25842-000 ---	024-25842-000 ---	024-25842-000 ---	--- 024-25844-000
2	6	Control, Defrost	031-09104-000	031-09104-000	031-09104-000	031-09104-000
1	7	Control, Pressure	025-33305-048	025-33305-048	025-33305-048	025-33305-048
1	8	Sensor, Liquid Replacement	025-31994-000	025-31994-000	025-31994-000	025-31994-000
1	9	Switch, High Temperature	---	---	---	025-31925-000
1	10	Coil, Solenoid	1456-9761	1456-9761	1456-9761	1456-9761
2	11	Fan Relay	1460-5101	1460-5101	1460-5101	1460-5101
1	12	Blade, Fan (18") Blade, Fan (22") Blade, Fan (24")	026-34092-000 --- ---	--- 026-34593-000 ---	--- --- 026-35437-000	--- --- 026-35492-000
1	13	Accumulator	026-34089-000	026-35411-000	026-34090-000	026-25573-007
1	14	Coil, Condenser	373-19800-013	373-19800-015	373-19025-503	373-19026-903
2	15	Distributor (.055 Orifice) Distributor (.063 Orifice) Distributor (.067 Orifice) Distributor Assembly	022-09010-455 --- --- ---	--- 022-09010-563 --- ---	--- --- 022-09010-667 ---	--- --- --- 025-33381-000
	16					
*	17	Valve, Check	---	---	---	022-08938-000
1	18	Filter Drier	1458-0011	6536-3341	026-34506-000	026-35458-000
	19					
1	20	Valve, Reversing	025-31922-000	025-31929-000	025-31930-000	025-33379-000
1	21	Valve, Liquid (3/8") Valve, Liquid (3/8")	025-31899-000 ---	025-31899-000 ---	025-31899-000 ---	--- 023-18362-000
1	22	Valve, Suction (3/4") Valve, Suction (7/8") Valve, Suction (1 1/8")	025-31900-000 --- ---	--- 025-31901-000 ---	--- 025-31901-000 ---	--- --- 023-18363-000
1	23	Wireway (Electrical Channel)	028-13215-000	028-13216-000	028-13297-000	028-13297-000
1	24	Cover, Electric Box	2218-1151/A	2218-1151/A	073-19009-101	073-19009-101
1	25	Base, Pan	2218-1011	2260-1011	073-19001-000	073-19001-000
1	26	Panel, Top	2218-1021/A	2260-1021/A	073-19002-001	073-19002-001
1	27	Plate, Block-Off	2242-1081/B	3948-1081/B	073-19008-124	073-19008-130
*	28	Indoor Orifice (.075) (See Note 1) Indoor Orifice (.071) Indoor Orifice (.081) Indoor Orifice (.084)	029-19387-017 029-19387-029 --- ---	--- --- 029-19387-012 029-19387-019	--- --- --- ---	--- --- --- ---
	29					
2	30	Ground Lug	025-21798-000	025-21798-000	025-21798-000	025-21798-000
2	31	Strain Relief	1216-243	1216-243	1216-243	1216-243
1	32	Guard, Coil	<b>373-20091-009</b>	<b>373-20091-012</b>	<b>373-20091-014</b>	<b>373-20091-022</b>
1	33	Guard, Fan	026-35511-018	026-35511-022	026-35511-024	026-35511-024
1	34	Isolator, Compressor (Pkg. of 4) Isolator, Compressor (4 Req'd)	9435-1081 ---	--- 028-12355-000	--- 028-12355-000	--- 028-12355-000
2	35	Electrical Plug	025-33306-006	025-33306-006	025-33306-006	025-33306-006
1	36	Crankcase Heater	1450-9511	---	---	---
*	37	Diagram, Wiring	035-15802-003	035-15802-003	035-15802-003	035-15842-003
*	38	Kit, Motor Mounting (Acorn Nuts)	363-90117-700	363-90117-700	363-90117-700	363-90117-700
*	39	Assembly, Orifice	---	---	---	---
1	40	Panel, Filler	---	---	073-19007-124	073-19007-130
2	41	Transformer	---	---	---	025-30377-000
*	42	Valve, Expansion	---	---	---	025-33380-000
1	43	Mesh, Coil Guard	028-14727-000	028-14731-000	028-14729-000-	028-14732-000
*	44	Fastener, Push-in (4 Req'd) Fastener, Push-in (6 Req'd)	021-18381-000 ---	--- 021-18381-000	--- 021-18381-000	--- 021-18381-000

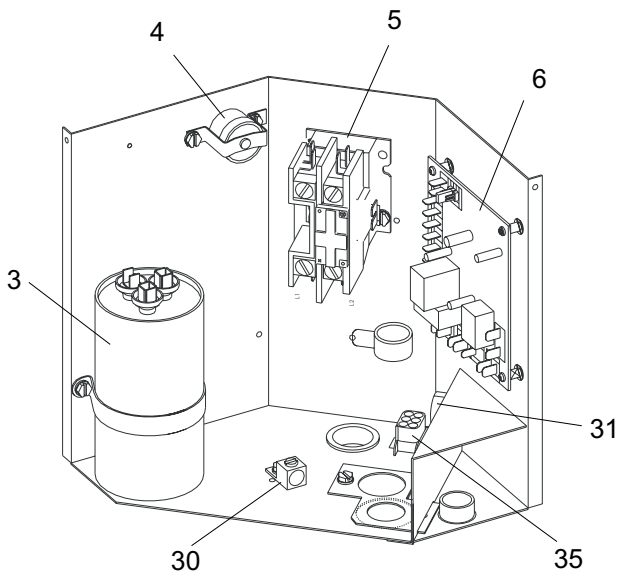
**NOTE:** \*Not ShownNew replacement parts shown in **bold** face type at the first printing of parts list dated 1/04.

Major components and suggested stocking items are shown with shaded item number.

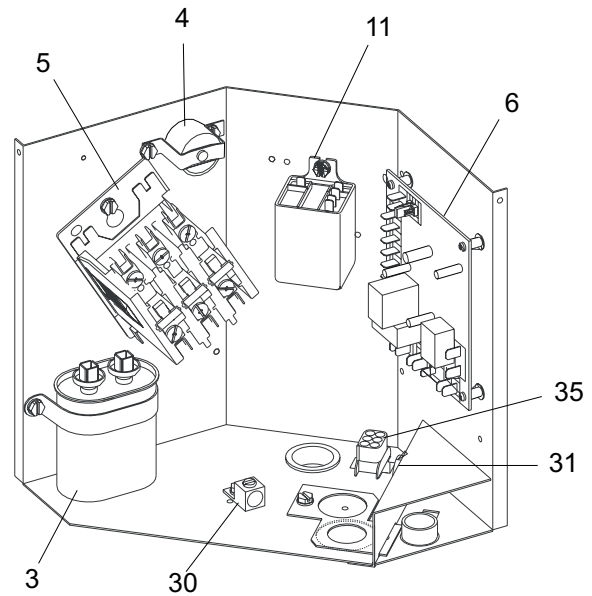
"←" Across from row indicates a change in that row.

--- Not applicable to specified model.

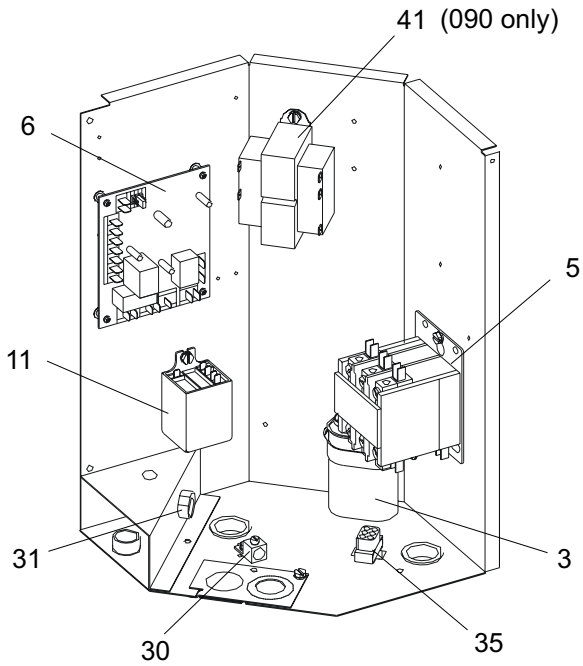
1 Refer to Tech Guide for proper selection of orifice.



208-230 VOLT SINGLE PHASE



208-230 VOLT THREE PHASE



460 VOLT THREE PHASE

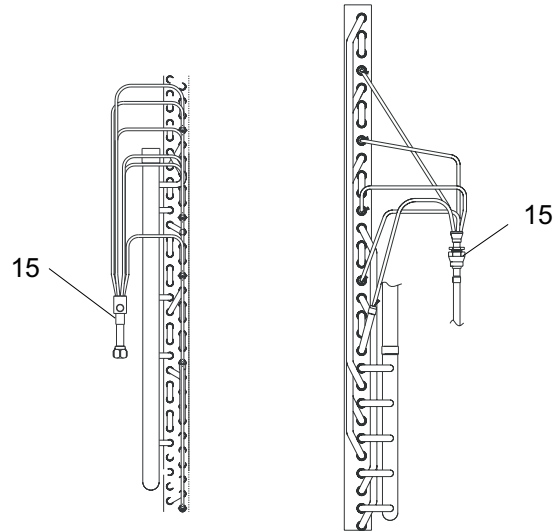


FIG.2 - CONTROLS AND LIQUID ASSEMBLY

**NOTES**

**TO ORDER AUTHORIZED FACTORY REPLACEMENT PARTS** - Contact your Source1 HVAC Parts Distributor or visit our website at [www.Source1Parts.com](http://www.Source1Parts.com) for a Distributor and Dealer listing.