



www.Source1Parts.com

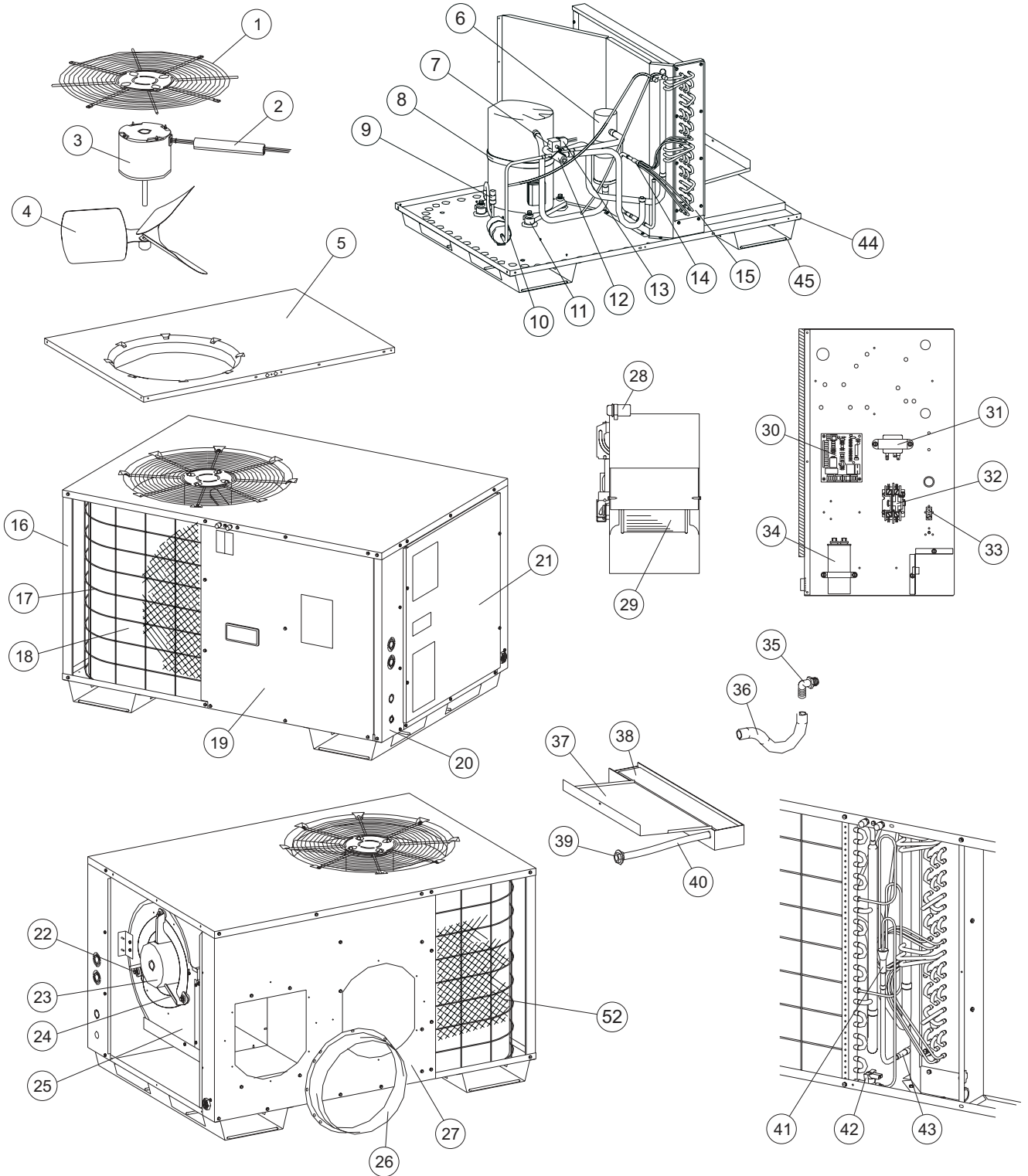
HVAC SERVICE PARTS

PHP SERIES - 10 SEER PACKAGED HEAT PUMP (STYLE A & B)

Supersedes:035-15297-001 Rev. F (1103)

035-15297-001 Rev. G (0606)

1 of 4



Models 24, 30, and 36

ITEM	DESCRIPTION	PHP024H1021A PHP024H1021B	PHP030H1021A PHP030H1021B	PHP036H1021A PHP036H1021B	<
1	Fan Guard (Style A)	026-35516-000	026-35516-000	026-35516-000	
	Fan Guard (Style B)	026-35516-800	026-35516-800	026-35516-800	<
2	Wireway	028-13346-000	028-13346-000	028-13346-000	
3	Fan Motor	024-27673-000	024-27673-000	024-27673-000	
4	Fan Blade, 18" Diameter	026-34092-000	026-34092-000	026-34092-000	
5	Top	7430-1121	7430-1121	7430-1121	
6	Accumulator Tank	026-34089-000	026-34089-000	026-34090-000	
7	Solenoid Coil (Style A)	1456-9761	1456-9761	1456-9761	
	Solenoid Coil (Style B)	025-38948-000	025-38948-000	025-38948-000	<
8	Compressor	015-03431-001	015-03423-001	015-03425-001	
9	High Pressure Switch	025-33305-048	025-33305-048	025-33305-048	
10	Filter Drier	026-34088-000	026-34088-000	026-34088-000	
11	Compressor Mount (Pkg. of 4)	9435-1081	9435-1081	9435-1081	
12	Reversing Valve (Style A)	025-31922-000	025-31922-000	025-31929-000	
	Reversing Valve (Style B)	025-38945-000	025-38945-000	025-38946-000	<
13	Solenoid Coil Harness (Style A)	1456-9771	1456-9771	1456-9771	
14	Indoor Coil Distributor Assy.	025-33424-156	025-33424-158	025-33424-158	
15	Indoor Coil	6903-5441	6904-5441	6904-5441	
16	Corner Post (2 Req'd)	7436-1521	7436-1521	7436-1521	
17	Coil Guard (Style A)	373-24391-002	373-24391-002	373-24391-002	
	Coil Guard (Style B)	373-23715-004	373-23715-004	373-23715-004	<
18	Outdoor Coil Assembly	373-24375-201	373-24375-201	373-24375-201	
19	Side Panel-Right	7430-1541	7430-1541	7430-1541	
20	Corner Panel	7430-1431	7430-1431	7430-1431	
21	Rear Panel Assembly	7430-1471	7430-1471	7430-1471	
22	Motor Mount (Pkg. of 3)	7670-3551	7670-3551	7670-3551	
23	Blower Motor	1468-233P/A	1468-233P/A	1468-233P/A	<
24	Motor Clamp	6806-1561	6806-1561	6806-1561	
25	Scroll Assembly	7430-5891	7430-5891	7430-5891	
26	Duct Flange (Pkg. of 2)	7436-2781	7436-2781	7436-2781	
27	Side Panel Assembly (Left)	7430-1401	7430-1401	7430-1401	
28	Blower Capacitor (10 MFD)	024-20046-000	024-20046-000	024-20046-000	
29	Blower Wheel	1472-2751	1472-2751	1472-2751	
30	Defrost Control Board (Style A)	031-09104-000	031-09104-000	031-09104-000	
	Defrost Control Board (Style B)	031-01954-000	031-01954-000	031-01954-000	<
31	Transformer	3300-3861	3300-3861	3300-3861	
32	Contact (30 Amp)	024-27531-000	024-27531-000	024-27531-000	
33	Ground Lug	025-21798-000	025-21798-000	025-21798-000	<
34	Split Capacitor (35/5 MFD)	024-23998-000	024-23998-000	---	
	Split Capacitor (45/5 MFD)	---	---	024-25895-000	
35	Drain Elbow	1218-3531	1218-3531	1218-3531	
36	Drain Tube	7430-3031	7430-3031	7430-3031	
37	Drip Shield	7430-1251	7430-1251	7430-1251	
38	Drain Pan	7430-300-11	7430-300-11	7430-300-11	
39	Drain Fitting	7430-3011	7430-3011	7430-3011	
40	Drain Pan Tube	029-22150-000	029-22150-000	029-22150-000	
41	Outdoor Coil Distributor Assy.	025-33424-233	025-33424-233	025-33424-233	
42	Outdoor Coil Sensor	025-31994-000	025-31994-000	025-31994-000	
43	Dual Restrictor	023-18435-030	023-18435-030	023-18435-036	
44	Base Pan	7430-1111	7430-1111	7430-1111	
45	Base Rail (2 Req'd)	7430-1171	7430-1171	7430-1171	
46*	Compressor Harness	025-31885-000	025-31885-000	025-31885-000	
47*	Wiring Diagram	035-15866-501	035-15866-501	035-15866-501	
48*	Strain Relief	1216-243	1216-243	1216-243	
49*	Motor Mounting Kit	363-90117-700	363-90117-700	363-90117-700	
52	Coil Guard, Plastic Mesh	028-14780-000	028-14780-000	028-14780-000	
53*	Fastener, Push-in (4 Req'd)	021-18381-000	021-18381-000	021-18381-000	

NOTE: *Not ShownNew replacement parts shown in **bold** face type at the first printing of parts list dated 6/06.

Major components and suggested stocking items are shown with shaded item number.

"<" Across from row indicates a change in that row.

--- Not applicable to specified model.

Models 42, 48, and 60

ITEM	DESCRIPTION	PHP042H1021A PHP042H1021B	PHP048H1021A PHP048H1021B	PHP060H1021A PHP060H1021B	<
1	Fan Guard (Style A)	026-35525-000	026-35525-000	026-35525-000	
	Fan Guard (Style B)	026-35525-800	026-35525-800	026-35525-800	<
2	Wireway	028-13297-000	028-13297-000	028-13297-000	
3	Fan Motor (Style A)	024-27673-000	024-27624-000	024-27624-000	
	Fan Motor (Style B)	024-27673-000	024-27596-000	024-27624-000	<
4	Fan Blade, 20" Diameter	026-37301-000	026-35536-000	026-35536-000	
5	Top	7455-1121	7455-1121	7455-1121	
6	Accumulator Tank	026-35435-000	026-25573-008	026-25573-008	
7	Solenoid Coil (Style A)	1456-9761	1456-9761	1456-9761	
	Solenoid Coil (Style B)	025-38948-000	025-38948-000	025-38948-000	<
8	Compressor (Style A)	015-02557-001	015-02902-004	015-02900-004	
	Compressor (Style B)	015-03297-004	015-02902-004	015-02900-004	<
9	High Pressure Switch	025-33305-048	025-33305-048	025-33305-048	
10	Filter Drier	026-25596-001	026-34506-000	026-34506-000	
11	Compressor Mount (Pkg. of 4)	6560-3041	9435-1081	9435-1081	
12	Reversing Valve (Style A)	025-31929-000	025-31930-000	025-31930-000	
	Reversing Valve (Style B)	025-38946-000	025-38947-000	025-38947-000	<
13	Solenoid Coil Harness (Style A)	1456-9771	1456-9771	1456-9771	
14	Indoor Coil Distributor Assy.	025-33424-158	025-33424-138	025-33424-138	
15	Indoor Coil	6904-5651	6904-5751	6904-5751	
16	Corner Post (2 Req'd)	4435-1521	4435-1521	4435-1521	
17	Coil Guard (Style A)	373-24391-003	373-24391-003	373-24391-003	
	Coil Guard (Style B)	373-23715-005	373-23715-005	373-23715-005	<
18	Outdoor Coil Assembly	373-24375-301	373-24375-301	373-24375-301	
19	Side Panel-Right	7455-1541	7455-1541	7455-1541	
20	Corner Panel	7455-1431	7455-1431	7455-1431	
21	Rear Panel Assembly	7455-1471/C	7455-1471/C	7455-1471/C	
22	Motor Mount (Pkg. of 3)	7670-3551	7670-3551	7670-3551	
23	Blower Motor	1468-233P/A	024-31942-000	024-31942-000	<
24	Motor Clamp	6806-1561	6806-1561	6806-1561	
25	Scroll Assembly	7430-5891	7430-5891	7430-5891	
26	Duct Flange (Pkg. of 2)	7436-2781	7436-2781	7436-2781	
27	Side Panel Assembly (Left)	7455-1401	7455-1401	7455-1401	
28	Blower Capacitor (10 MFD)	024-20046-000	024-20046-000	024-20046-000	
29	Blower Wheel	1472-2751	1472-2751	1472-2751	
30	Defrost Control Board (Style A)	031-09104-000	031-09104-000	031-09104-000	
	Defrost Control Board (Style B)	031-01954-000	031-01954-000	031-01954-000	<
31	Transformer	3300-3861	3300-3861	3300-3861	
32	Contactors (30 Amp)	024-27531-000	---	---	
	Contactors (40 Amp)	---	024-25837-000	024-25837-000	
33	Ground Lug	025-21798-000	025-21798-000	025-21798-000	<
34	Split Capacitor (45/5 MFD))	024-25895-000	---	---	
	Split Capacitor (50/5 MFD)	---	024-25896-000	---	
	Split Capacitor (55/5 MFD)	---	---	024-25511-000	
35	Drain Elbow	1218-3531	1218-3531	1218-3531	
36	Drain Tube	7430-3031	7430-3031	7430-3031	
37	Drip Shield	7455-1251	7455-1251	7455-1251	
38	Drain Pan	7430-300-21	7430-300-21	7430-300-21	
39	Drain Fitting	7430-3011	7430-3011	7430-3011	
40	Drain Pan Tube	029-22150-000	029-22150-000	029-22150-000	
41	Outdoor Coil Distributor Assy.	025-33424-235	025-33424-235	025-33424-235	
42	Outdoor Coil Sensor	025-31994-000	025-31994-000	025-31994-000	
43	Dual Restrictor	023-18435-042	023-18435-048	023-18435-060	
44	Base Pan	7455-1111	7455-1111	7455-1111	
45	Base Rail (2 Req'd)	7455-1171	7455-1171	7455-1171	
46*	Compressor Harness	025-31885-000	025-31885-000	---	
47*	Wiring Diagram	035-15866-501	035-15257-001	035-15257-001	
48*	Strain Relief	1216-243	1216-243	1216-243	
49*	Motor Mounting Kit (Acorn Nuts)	363-90117-700	363-90117-700	363-90117-700	
50*	Solid State Start Device	024-20867-002	---	---	
51*	6 Position Connector Plug	---	025-33306-006	025-33306-006	
52	Coil Guard, Plastic Mesh	028-14781-000	028-14781-000	028-14781-000	
53*	Fastener, Push-in (4 Req'd)	021-18381-000	021-18381-000	021-18381-000	

NOTE: *Not ShownNew replacement parts shown in **bold** face type at the first printing of parts list dated 6/06.

Major components and suggested stocking items are shown with shaded item number.

"<" Across from row indicates a change in that row.

--- Not applicable to specified model.

TO ORDER AUTHORIZED FACTORY REPLACEMENT PARTS - Contact your Source1 HVAC Parts Distributor or visit our website at www.Source1Parts.com for a Distributor and Dealer listing.

Subject to change without notice. Printed in U.S.A.
Copyright © by York International Corp. 2006. All rights reserved.

035-15297-001 Rev. G (0606)
Supersedes: 035-15297-001 Rev. F (1103)

**Unitary
Products
Group**

**5005
York
Drive**

**Norman
OK
73069**