



www.Source1Parts.com

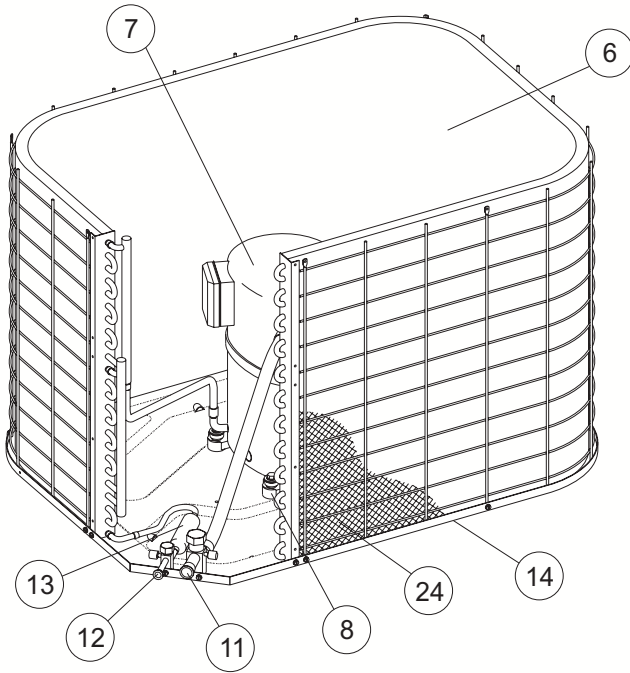
HVAC SERVICE PARTS

FRCS SERIES - 14 SEER - X3 SPLIT AIR CONDITIONER

Supersedes:035-16326-002 Rev. E (0903)

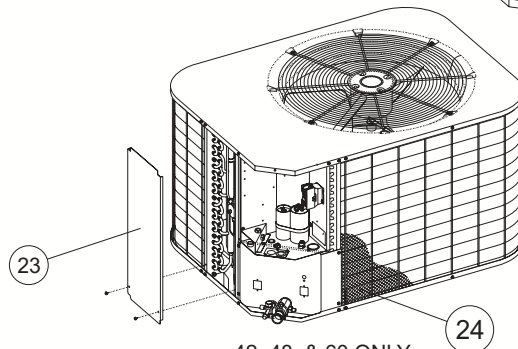
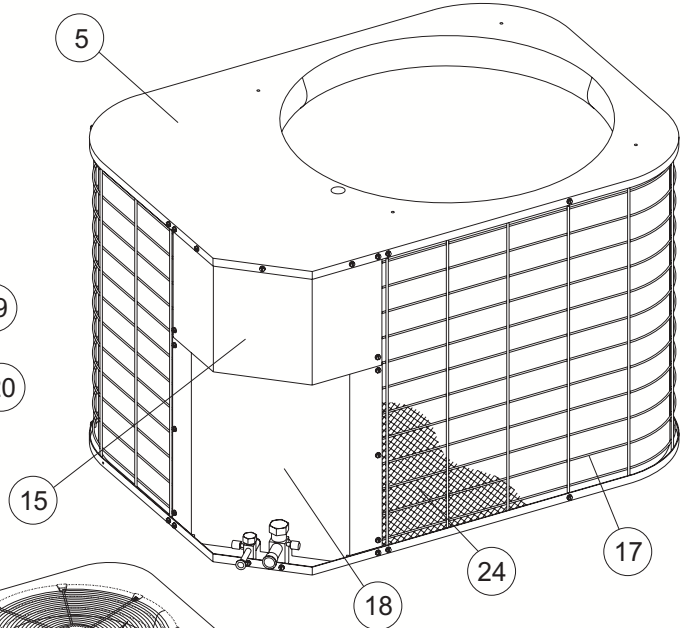
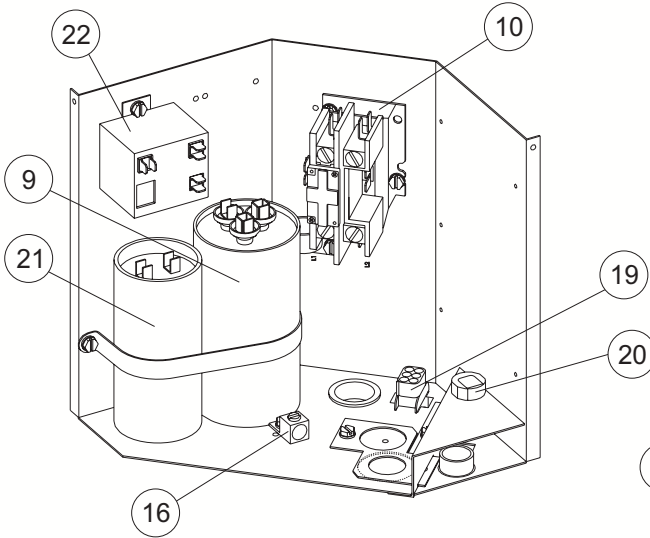
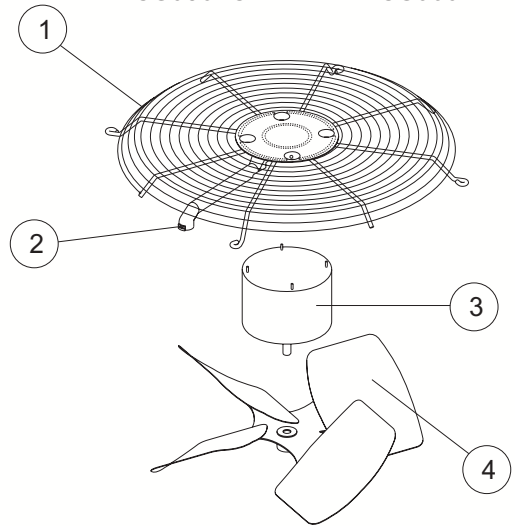
035-16326-002 Rev. F (0406)

1 of 4



MODELS:

- | | |
|------------|------------|
| FRCS0241BD | FRCS0421CE |
| FRCS0301BD | FRCS0481CE |
| FRCS0361CD | FRCS0601BF |



42, 48, & 60 ONLY

Models 24, 30, and 36

ITEM	DESCRIPTION	FRCS0241BD	FRCS0301BD	FRCS0361CD
1	Fan Guard	026-35511-022	026-35511-022	026-35511-022
2	Wireway	028-13216-000	028-13216-000	028-13216-000
3	Fan Motor	024-26029-000	024-27596-000	024-27596-000
4	Fan Blade, 22" Diameter	026-39474-000	026-34593-000	026-34593-000
5	Top	2260-1021/A	2260-1021/A	2260-1021/A
6	Outdoor Coil Assembly	373-19800-007	373-19800-008	373-19800-008
7	Compressor	015-02758-004	015-02759-004	015-02761-004
8	Compressor Mount (Pkg. of 4) Compressor Mount (4 Req'd)	9435-1081 ---	9435-1081 ---	--- 028-12355-000
9	Capacitor, Dual (35/5 MFD) Capacitor, Dual (45/5 MFD)	024-23998-000 ---	024-23998-000 ---	--- 024-25895-000
10	Contacto (30 Amp)	024-27531-000	024-27531-000	024-27531-000
11	Base Valve 7/8" (Suction)	025-31901-000	025-31901-000	025-31901-000
12	Base Valve 3/8" (Liquid)	025-31899-000	025-31899-000	025-31899-000
13	Filter Drier	029-22157-000	026-34095-000	026-34095-000
14	Base Pan	2260-1011	2260-1011	2260-1011
15	Control Box Cover	2218-1151/A	2218-1151/A	2218-1151/A
16	Ground Lug	025-21798-000	025-21798-000	025-21798-000
17	Coil Guard	373-20091-012	373-20091-013	373-20091-013
18	Blockoff Plate	3948-1081/B	2660-1081/B	2660-1081/B
19	Plug, 6 Position	025-33306-006	025-33306-006	025-33306-006
20	Strain Relief	025-09687-000	025-09687-000	025-09687-000
21	Start Capacitor	024-25215-000	024-25215-000	024-25191-000
22	Start Relay	1497-4111	024-25923-000	024-26024-000
23	Filler Panel	---	---	---
24	Wire Mesh Coil Guard	028-14731-000	028-14733-000	028-14733-000
25*	Compressor Blanket	010-04620-000	010-04620-000	---
26*	Compressor Harness	025-31884-000	025-31885-000	025-31884-000
27*	Wiring Diagram	035-15861-501	035-15861-501	035-15861-501
28				
29*	Kit, Motor Mounting (Acorn Nuts)	363-90117-700	363-90117-700	363-90117-700

<

NOTE: *Not ShownNew replacement parts shown in **bold** face type at the first printing of parts list dated 4/06.

Major components and suggested stocking items are shown with shaded item number.

"←" Across from row indicates a change in that row.

--- Not applicable to specified model.



Models 42, 48, and 60

ITEM	DESCRIPTION	FRCS0421CE	FRCS0481CE	FRCS0601BF
1	Fan Guard	026-35511-024	026-35511-024	026-35511-024
2	Wireway	028-13297-000	028-13297-000	028-13297-000
3	Fan Motor	024-27596-000	024-27596-000	024-32029-000
4	Fan Blade, 24" Diameter	026-35437-000	026-35437-000	026-35491-000
5	Top	073-19002-101	073-19002-101	073-19002-101
6	Outdoor Coil Assembly	373-19013-354	373-19014-404	373-19014-404
7	Compressor	015-02764-004	015-02773-004	015-02967-004
8	Compressor Mount (4 Req'd)	028-12355-000	028-10581-000	028-10190-000
9	Capacitor, Dual (50/5 MFD) Capacitor, Dual (60/5 MFD) Capacitor, Dual (60/10 MFD)	024-25338-000 --- ---	--- 024-25033-000 ---	--- --- 024-32030-000
10	Contactors (30 Amp)	024-27531-000	024-27531-000	024-27531-000
11	Base Valve 1 1/8" (Suction)	023-18363-000	023-18363-000	023-18363-000
12	Base Valve 3/8" (Liquid)	025-31899-000	025-31899-000	025-31899-000
13	Filter Drier	026-34095-000	026-34095-000	026-34095-000
14	Base Pan	073-19001-000	073-19001-000	073-19001-000
15	Control Box Cover	073-19009-101	073-19009-101	073-19009-101
16	Ground Lug	025-21798-000	025-21798-000	025-21798-000
17	Coil Guard	373-20091-022	373-20091-023	373-20091-023
18	Blockoff Plate	073-19008-130	073-19008-136	073-19008-136
19	Plug, 6 Position	025-33306-006	025-33306-006	025-33306-006
20	Strain Relief	025-09687-000	025-09687-000	025-09687-000
21	Start Capacitor	024-25191-000	024-25191-000	024-25062-000
22	Start Relay	024-26024-000	024-26024-000	024-25035-000
23	Filler Panel	073-19007-130	073-19007-136	073-19007-136
24	Wire Mesh Coil Guard	028-14732-000	028-14734-000	028-14734-000
25*	Compressor Blanket	---	---	---
26*	Compressor Harness	025-31884-000	025-31884-000	---
27*	Wiring Diagram	035-15861-501	035-15861-501	035-15861-501
28*	Switch, High Pressure	---	---	025-33305-048
29*	Kit, Motor Mounting (Acorn Nuts)	363-90117-700	363-90117-700	363-90117-700

NOTE: *Not Shown

New replacement parts shown in **bold** face type at the first printing of parts list dated 4/06.

Major components and suggested stocking items are shown with shaded item number.

"<" Across from row indicates a change in that row.

--- Not applicable to specified model.

TO ORDER AUTHORIZED FACTORY REPLACEMENT PARTS - Contact your Source1 HVAC Parts Distributor or visit our website at www.Source1Parts.com for a Distributor and Dealer listing.