



www.Source1Parts.com

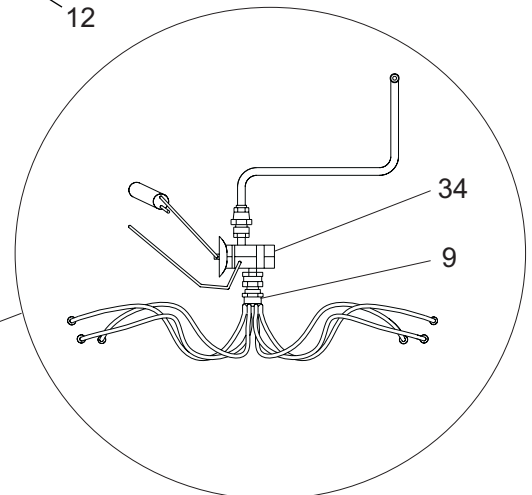
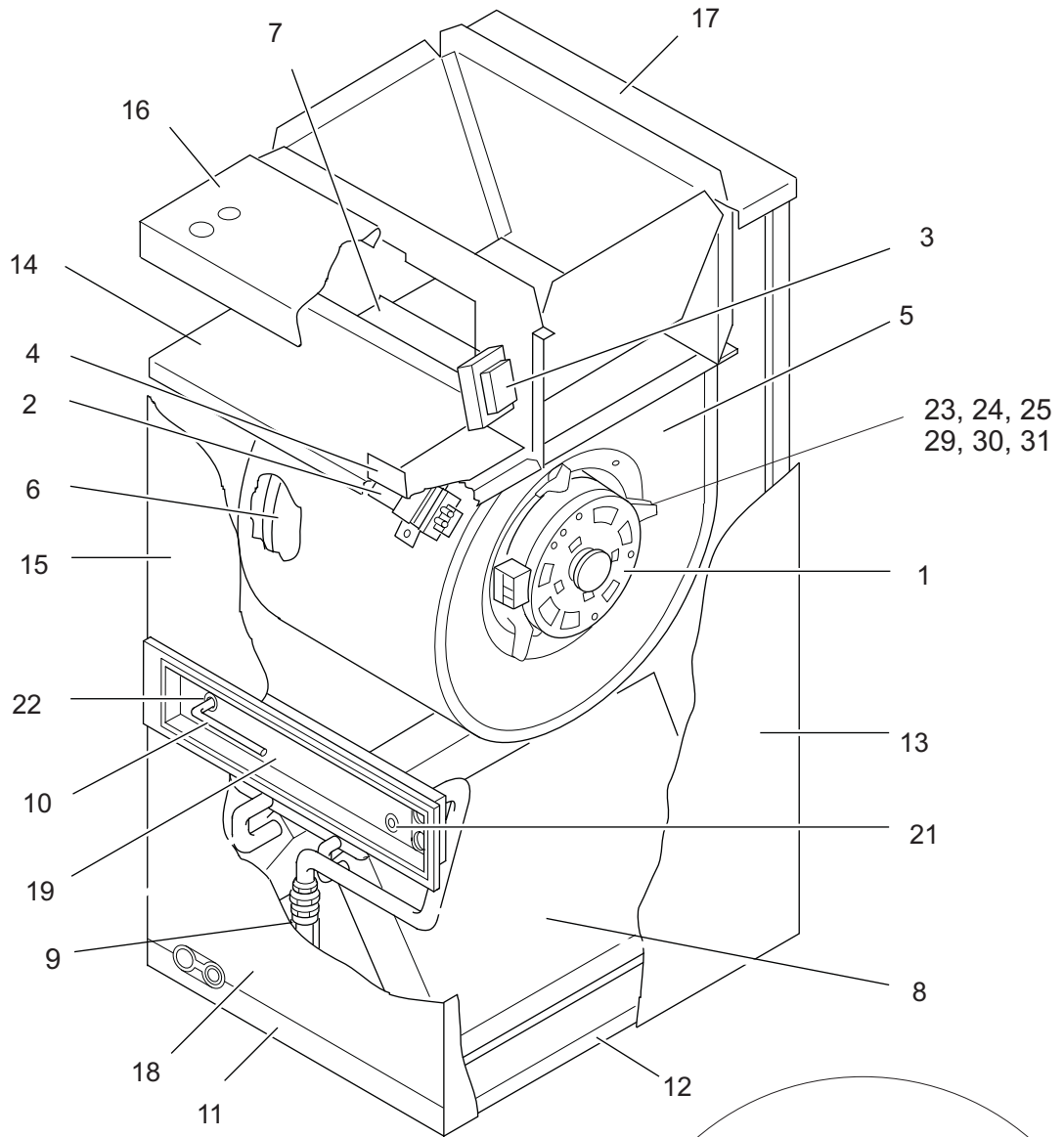
HVAC SERVICE PARTS

F2FP (B), F3FP (TA) SERIES FAN COIL UNIT

Supersedes:035-16493-001 Rev. B (0602)

035-16493-002 Rev. A (0902)

1 of 8



ITEM #35
F3FP (TA) ONLY

Models F2FP018, 24, 30, 36, and 40

ITEM	DESCRIPTION	F2FP018N06B	F2FP024N06B	F2FP030N06B	F2FP036N06B	F2FP040H06B
1	Motor, Direct Drive Blower	024-25982-000	024-25982-000	024-26086-000	024-26087-000	024-26086-000
2	Capacitor (10MFD)	024-20046-000	024-20046-000	024-20046-000	024-20046-000	024-20046-000
3	Transformer (40VA)	025-18452-000	025-18452-000	025-18452-000	025-18452-000	025-18452-000
4	Module, Control	031-01264-002	031-01264-002	031-01264-002	031-01264-002	031-01264-002
5	Housing, Blower	373-15361-001	373-18075-001	373-18075-002	373-18075-002	373-18075-002
6	Wheel, Blower	026-34003-000	026-34004-000	026-34005-000	026-34005-000	026-34005-000
7	Cutoff, Blower	073-14495-000	073-14495-000	073-14494-000	073-14494-000	073-14494-000
8	Complete Coil w/Drain Pan	373-18109-001	373-18110-001	373-18108-001	373-18111-001	373-18112-002
9	Distributor w/Orifice	022-08971-053	022-08972-061	022-08972-065	022-08974-075	022-08974-063
10	Manifold Assembly	373-15415-001	373-14584-001	373-14588-001	373-15357-001	373-17539-001
11	Door, Filter	073-20960-000	073-20960-000	073-20960-000	073-20961-000	073-20961-000
12	Pan, Drain	032-00172-000	032-00172-000	032-00172-000	032-00173-000	032-00173-000
13	Wrapper	373-20995-004	373-20995-004	373-20995-004	373-20995-005	373-20995-005
14	Panel, Control	073-17920-000	073-17920-000	073-17920-000	073-22087-000	073-22087-000
15	Panel, Door (Top)	373-15383-004	373-15383-004	373-15383-004	373-15383-005	373-15383-005
16	Panel, Front Top	373-15422-004	373-15422-004	373-15422-004	373-15422-005	373-15422-005
17	Panel, Rear Top	373-15421-004	373-15421-004	373-15421-004	373-15421-005	373-15421-005
18	Panel, Bottom (Front)	373-15384-004	373-15384-004	373-15384-004	373-15384-005	373-15384-005
19	Panel, Recessed	032-00148-001	032-00148-001	032-00148-001	032-00148-002	032-00148-005
20*	Plate, Circuit Breaker	032-00161-000	032-00161-000	032-00161-000	032-00161-000	032-00161-000
21	Grommet, 3/8"	028-13202-000	028-13202-000	028-13202-000	028-13202-000	028-13202-000
22	Grommet, 5/8"	028-13203-000	028-13203-000	---	---	---
	Grommet, 3/4"	---	---	028-13204-000	028-13204-000	---
	Grommet, 7/8"	---	---	---	---	028-13205-000
23	Mount, Motor (Arm) (See Note 1)	---	---	---	---	---
24	Mount, Motor (Band) (See Note 1)	---	---	---	---	---
25	Motor Mount	---	---	---	---	---
26*	Diagram, Wiring	035-14500-000	035-14500-000	035-14500-000	035-14500-000	035-14500-000
27*	Paint, Touch-up	513-02881-700	513-02881-700	513-02881-700	513-02881-700	513-02881-700
28*	Pan, Horizontal Drain (H-model)	---	---	---	---	032-00175-000
29	Tube, Isolator (3 Req'd)	---	---	---	---	---
30	Washer, Isolator (3 Req'd)	---	---	---	---	---
31	Sleeve, Isolator (3 Req'd)	---	---	---	---	---
32*	Cap, Knurled	023-10745-000	023-10745-000	023-10745-000	023-10745-000	023-10745-000
33*	Stand-off, Plastic	028-13201-000	028-13201-000	028-13201-000	028-13201-000	028-13201-000
34*	Harness, Power	373-15424-001	373-15424-001	373-15424-001	373-15424-001	373-15424-001
35*	Harness, Low Volt Plug (Jumper)	373-15425-001	373-15425-001	373-15425-001	373-15425-001	373-15425-001

NOTE: *Not ShownNew replacement parts shown in **bold** face type at the first printing of parts list dated 9/02.

Major components and suggested stocking items are shown with shaded item number.

"←" Across from row indicates a change in that row.

--- Not applicable to specified model.

1 Where Motor Mount Arms and Band are not specified, they come as part of the motor.

Models F2FP042, 45, 48, and 60

ITEM	DESCRIPTION	F2FP042N06B	F2FP045H06B	F2FP048N06B F2FP048H06B	F2FP060N06B F2FP060H06B
1	Motor, Direct Drive Blower	024-25985-000	024-27607-000	024-26043-000	024-26044-000
2	Capacitor (10MFD) Capacitor (12.5MFD) Capacitor (15MFD)	--- 024-25899-000 ---	024-20046-000 --- ---	--- --- 024-25900-000	--- --- 024-25900-000
3	Transformer	025-18452-000	025-18452-000	025-18452-000	025-18452-000
4	Module, Control	031-01264-002	031-01264-002	031-01264-002	031-01264-002
5	Housing, Blower	373-18075-002	373-18075-014	373-18075-003	373-18075-003
6	Wheel, Blower	026-34005-000	026-35471-000	026-34501-000	026-34501-000
7	Cutoff, Blower	073-14494-000	073-15745-000	073-15745-000	073-15745-000
8	Complete Coil w/Drain Pan	373-18112-001	373-18115-003	373-18113-001	373-18115-002
9	Distributor w/Orifice	022-08974-078	025-31938-078	025-31937-084	025-31938-090
10	Manifold Assembly	373-17539-001	373-17563-001	373-16608-001	373-17563-001
11	Door, Filter	073-20961-000	073-20962-000	073-20962-000	073-20962-000
12	Pan, Drain	032-00173-000	032-00170-001	032-00170-001	032-00170-001
13	Wrapper	373-20995-005	373-20996-016	373-20996-016	373-20996-016
14	Panel, Control	073-22087-000	073-18369-000	073-18369-000	073-18369-000
15	Panel, Door (Top)	373-15383-005	373-18081-001	373-18081-001	373-18081-001
16	Panel, Front Top	373-15422-005	373-15422-016	373-15422-016	373-15422-016
17	Panel, Rear Top	373-15421-005	373-15421-016	373-15421-016	373-15421-016
18	Panel, Bottom (Front)	373-15384-005	373-16621-002	373-16621-002	373-16621-002
19	Panel, Recessed (N-model) Panel, Recessed (H-model)	032-00148-002 ---	--- 032-00148-006	032-00148-003 032-00148-006	032-00148-003 032-00148-006
20*	Plate, Circuit Breaker	032-00161-000	032-00158-000	032-00158-000	032-00158-000
21	Grommet, 3/8"	028-13202-000	028-13202-000	028-13202-000	028-13202-000
22	Grommet, 7/8"	028-13205-000	028-13205-000	028-13205-000	028-13205-000
23	Mount, Motor (Arm) (See Note 1)	026-34006-000	---	---	---
24	Mount, Motor (Band) (See Note 1)	026-23780-000	---	---	---
25	Mount, Motor	---	026-31480-000	026-31459-000	026-31459-000
26*	Diagram, Wiring	035-14500-000	035-14500-000	035-14500-000	035-14500-000
27*	Paint, Touch-up	513-02881-700	513-02881-700	513-02881-700	513-02881-700
28*	Pan, Horizontal Drain (H-model)	---	032-00176-000	032-00176-000	032-00176-000
29	Tube, Isolator (3 Req'd)	---	028-09412-001	028-09412-001	028-09412-001
30	Washer, Isolator (3 Req'd)	---	028-09412-002	028-09412-002	028-09412-002
31	Sleeve, Isolator (3 Req'd)	---	028-14782-000	028-14782-000	028-14782-000
32*	Cap, Knurled	023-10745-000	023-10745-000	023-10745-000	023-10745-000
33*	Stand-off, Plastic	028-13201-000	028-13201-000	028-13201-000	028-13201-000
34*	Harness, Power	373-15424-001	373-15424-001	373-15424-001	373-15424-001
35*	Harness, Low Volt Plug (Jumper)	373-15425-001	373-15425-001	373-15425-001	373-15425-001

NOTE: *Not ShownNew replacement parts shown in **bold** face type at the first printing of parts list dated 9/02.

Major components and suggested stocking items are shown with shaded item number.

"←" Across from row indicates a change in that row.

--- Not applicable to specified model.

1 Where Motor Mount Arms and Band are not specified, they come as part of the motor.

Models F3FP040, 45, 48, and 60 (Factory Installed TXV Valve)

ITEM	DESCRIPTION	F3FP040H06TA	F3FP045H06TA	F3FP048H06TA	F3FP060H06TA <
1	Motor, Direct Drive Blower	024-26086-000	024-27607-000	024-26043-000	024-26044-000
2	Capacitor (10MFD) Capacitor (15MFD)	024-20046-000 ---	024-20046-000 ---	--- 024-25900-000	--- 024-25900-000
3	Transformer	025-18452-000	025-18452-000	025-18452-000	025-18452-000
4	Module, Control	031-01264-002	031-01264-002	031-01264-002	031-01264-002
5	Housing, Blower	373-18075-002	373-18075-014	373-18075-003	373-18075-003
6	Wheel, Blower	026-34005-000	026-35471-000	026-34501-000	026-34501-000
7	Cutoff, Blower	073-14494-000	073-15745-000	073-15745-000	073-15745-000
8	Complete Coil w/Drain Pan	373-18112-102	373-18115-103	373-18113-101	373-18115-102
9	Distributor w/Orifice	022-08974-078	025-31938-078	025-31937-084	025-31938-090
10	Header Assembly	373-17539-101	373-17563-101	373-16608-101	373-17563-101
11	Door, Filter	073-20961-000	073-20962-000	073-20962-000	073-20962-000
12	Pan, Drain	032-00173-000	032-00170-001	032-00170-001	032-00170-001
13	Wrapper	373-20995-005	373-20996-016	373-20996-016	373-20996-016
14	Panel, Control	073-22087-000	073-18369-000	073-18369-000	073-18369-000
15	Panel, Door (Top)	373-15383-005	373-18081-001	373-18081-001	373-18081-001
16	Panel, Front Top	373-15422-005	373-15422-016	373-15422-016	373-15422-016
17	Panel, Rear Top	373-15421-005	373-15421-016	373-15421-016	373-15421-016
18	Panel, Bottom (Front)	373-15384-005	373-16621-002	373-16621-002	373-16621-002
19	Panel, Recessed	032-00148-005	032-00148-006	032-00148-006	032-00148-006
20*	Plate, Circuit Breaker	032-00161-000	032-00158-000	032-00158-000	032-00158-000
21	Grommet, 3/8"	028-13202-000	028-13202-000	028-13202-000	028-13202-000
22	Grommet, 7/8"	028-13205-000	028-13205-000	028-13205-000	028-13205-000
23	Mount, Motor (Arm) (See Note 1)	---	---	---	---
24	Mount, Motor (Band) (See Note 1)	---	---	---	---
25	Mount, Motor	---	026-31480-000	026-31459-000	026-31459-000
26*	Diagram, Wiring	035-14500-000	035-14500-000	035-14500-000	035-14500-000
27*	Paint, Touch-up	513-02881-700	513-02881-700	513-02881-700	513-02881-700
28*	Pan, Horizontal Drain	032-00175-000	032-00176-000	032-00176-000	032-00176-000
29	Tube, Isolator (3 Req'd)	---	028-09412-001	028-09412-001	028-09412-001
30	Washer, Isolator (3 Req'd)	---	028-09412-002	028-09412-002	028-09412-002
31	Sleeve, Isolator (3 Req'd)	---	028-14782-000	028-14782-000	028-14782-000
32*	Cap, Knurled	023-10745-000	023-10745-000	023-10745-000	023-10745-000
33*	Stand-off, Plastic	028-13201-000	028-13201-000	028-13201-000	028-13201-000
34	Valve, TXV	025-31989-000	025-31990-000	025-31990-000	025-31990-000
35	Distributor Assembly w/TXV	373-19721-003	373-19721-003	373-19721-002	373-19721-001
36*	Harness, Power	373-15424-001	373-15424-001	373-15424-001	373-15424-001
37*	Harness, Low Volt Plug (Jumper)	373-15425-001	373-15425-001	373-15425-001	373-15425-001

NOTE: *Not Shown

New replacement parts shown in **bold** face type at the first printing of parts list dated 9/02.

Major components and suggested stocking items are shown with shaded item number.

"<" Across from row indicates a change in that row.

--- Not applicable to specified model.

1 Where Motor Mount Arms and Band are not specified, they come as part of the motor.

***Heat Kit Service Parts:**

ITEM	DESCRIPTION	2.5 KW	2.5 KW	5 KW	5 KW
		W/O Breaker 2HK06500206B	W/Breaker 2HK16500206B	W/O Breaker 2HK06500506B	W/Breaker 2HK16500506B
1	Block, Terminal (1 Req'd)	025-29125-000	---	025-29125-000	---
2	Element, Heating (1 Req'd)	025-30871-000	025-30872-000	025-30873-000	025-30874-000
3	Control, Temperature	025-32606-000	025-32606-000	025-32606-000	025-32606-000
4	Breaker, Circuit (15A)	---	024-25298-001	---	---
	Breaker, Circuit (30A)	---	---	---	024-25298-002

ITEM	DESCRIPTION	7.5 KW	7.5 KW	10 KW	10 KW
		W/O Breaker 2HK06500806B	W/Breaker 2HK16500806B	W/O Breaker 2HK06501006B	W/Breaker 2HK16501006B
1	Block, Terminal (1 Req'd)	025-29125-000	---	025-29125-000	---
2	Element, Heating (1 Req'd)	025-30875-000	025-30876-000	025-30877-000	025-33327-000
3	Control, Temperature	025-32606-000	025-32606-000	025-32606-000	025-32606-000
4	Breaker, Circuit (45A)	---	024-25298-004	---	---
	Breaker, Circuit (60A)	---	---	---	024-25298-003
5	Relay, Electrical	024-25986-000	024-25986-000	024-25986-000	024-25986-000

ITEM	DESCRIPTION	15 KW	18 KW	20 KW	25 KW
		W/Breaker 2HK16501506B	W/Breaker 2HK16501806B	W/Breaker 2HK16502006B	W/Breaker 2HK16502506B
1	Element, Heating (1 Req'd)	025-33328-000	025-33473-000	025-30880-000	025-30881-000
2	Control, Temperature	025-32606-000	025-32606-000	025-32606-000	025-32606-000
3	Breaker, Circuit (30A, 1 Req'd)	024-25298-002	---	---	024-25298-002
	Breaker, Circuit (45A, 3 Req'd)	---	024-25298-004	---	---
4	Breaker, Circuit (60A, 1 Req'd)	024-25298-003	---	---	---
	Breaker, Circuit (60A, 2 Req'd)	---	---	024-25298-003	024-25298-003
5	Jumper Bar	025-30891-000	024-26053-000	025-30891-000	025-26053-000
6	Cover, 4 Pole	032-00006-700	---	032-00006-700	---
	Cover, 6 Pole	---	032-00007-700	---	032-00007-700
7	Relay, Electrical (2 Req'd)	024-25986-000	024-27588-000	---	---
	Relay, Electrical (3 Req'd)	---	---	024-25986-000	---
	Relay, Electrical (4 Req'd)	---	---	---	024-25986-000
8	Lug, Electrical (Ground), (1 Req'd)	025-21798-000	---	025-21798-000	---
	Lug, Electrical (Ground), (2 Req'd)	---	025-21798-000	---	025-21798-000

NOTE: *Not ShownNew replacement parts shown in **bold** face type at the first printing of parts list dated 9/02.

Major components and suggested stocking items are shown with shaded item number.

"←" Across from row indicates a change in that row.

--- Not applicable to specified model.



NOTES

NOTES

TO ORDER AUTHORIZED FACTORY REPLACEMENT PARTS - Contact your Source1 HVAC Parts Distributor or visit our website at www.Source1Parts.com for a Distributor and Dealer listing.

This document appends: 535.02-RP10V (698)