



www.Source1Parts.com

HVAC SERVICE PARTS

F2FP & F2RP SERIES FAN COIL UNIT W/ FACTORY INSTALLED HEAT KIT

Supersedes:Nothing

035-17710-001 Rev. A (0903)

1 of 4

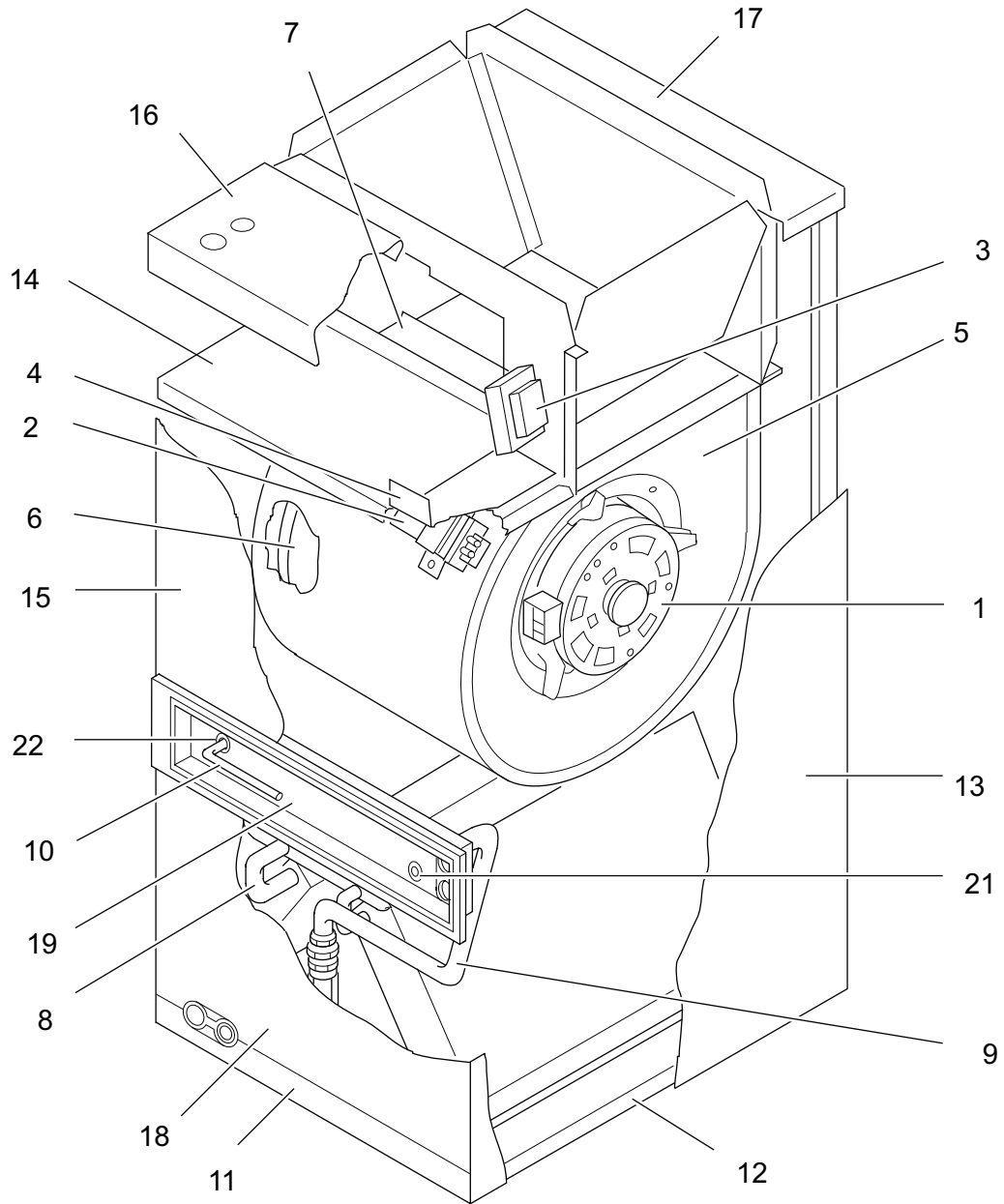


FIGURE 1: FAN COIL UNIT

FIG	ITEM	DESCRIPTION	F2RP018N06FC	F2FP048N06KC <
1	1	Motor, Direct Drive Blower	024-25982-000	024-26043-000
1	2	Capacitor (10MFD) Capacitor (15MFD)	024-20046-000 ---	--- 024-25900-000
1	3	Transformer (40VA)	025-18452-000	025-18452-000
1	4	Module, Control	031-01264-002	031-01264-002
1	5	Housing, Blower	373-15361-001	373-18075-003
1	6	Wheel, Blower	026-34003-000	026-34501-000
1	7	Cutoff, Blower	073-14495-000	073-14495-000
1	8	Complete Coil w/Drain Pan	373-18109-001	373-18113-001
1	9	Distributor w/Orifice	022-08971-053	025-31937-084
1	10	Manifold Assembly	373-15415-001	373-16608-001
1	11	Door, Filter	073-20960-000	073-20962-000
1	12	Pan, Drain	032-00172-000	032-00170-001
1	13	Wrapper	373-20995-004	373-20996-016
1	14	Panel, Control	073-17920-000	073-18369-000
1	15	Panel, Door (Top)	373-15383-001	373-18081-001
1	16	Panel, Front Top	373-15422-001	373-15422-016
1	17	Panel, Rear Top	373-15421-001	373-15421-016
1	18	Panel, Bottom (Front)	373-15384-001	373-16621-002
1	19	Panel, Recessed	032-00148-001	032-00148-003
1	20*	Plate, Circuit Breaker	032-00161-000	032-00158-000
1	21	Grommet, 3/8"	028-13202-000	028-13202-000
1	22	Grommet, 5/8" Grommet, 7/8"	028-13203-000 ---	--- 028-13205-000
*	23	Power Harness (4 Pin)	373-15424-001	373-15424-001
*	24	Harness w/Plug (Jumper) (6 Pin)	373-15425-001	373-15425-001
*	25	Motor Mount	---	026-31459-000
*	26	Tube, Isolator (3 Req'd)	---	028-09412-001
*	27	Washer, Isolator (3 Req'd)	---	028-09412-002
*	28	Sleeve, Isolator (3 Req'd)	---	028-14782-000
*	29	Cap, Knurled	023-10745-000	023-10745-000
*	30	Diagram, Wiring	035-14500-000	035-14500-000
*	31	Paint, Touch-up	513-02881-700	513-02881-700
*	32	Heat Kit (See Page 3)	2HK16500806	2HK16502006

NOTE: *Not Shown

New replacement parts shown in **bold** face type at the first printing of parts list dated 9/03.

Major components and suggested stocking items are shown with shaded item number.

"<" Across from row indicates a change in that row.

--- Not applicable to specified model.



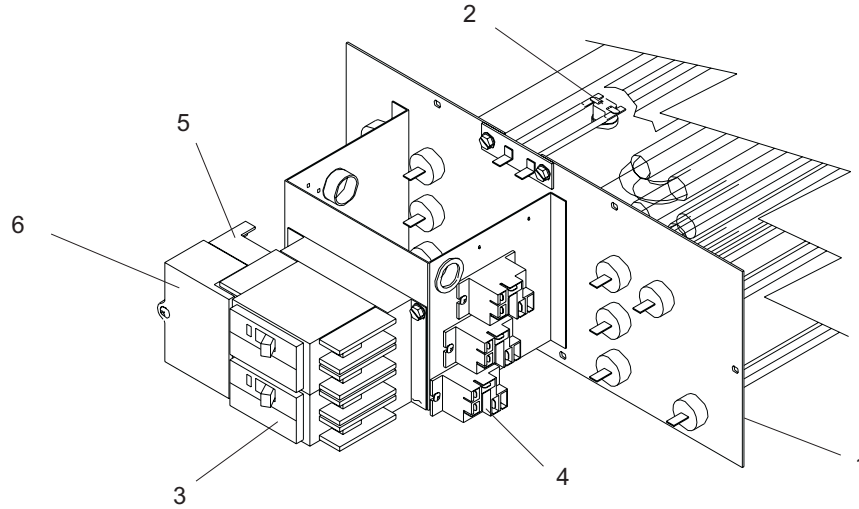


FIGURE 2: HEAT KIT

FIG	ITEM	DESCRIPTION	20 KW W/ Breaker 2HK16502006B	7.5 KW W/Breaker 2HK16500806B
2	1	Element, Heating	025-30880-000	025-30876-000
2	2	Control, Temperature	025-32606-000	025-32606-000
2	3	Breaker, Circuit (45A) Breaker, Circuit (60A) (2 Req'd)	--- 024-25298-003	024-25298-004 ---
2	4	Relay, Electrical (1 Req'd) Relay, Electrical (3 Req'd)	--- 024-25986-000	024-25986-000 ---
2	5	Jumper Bar	025-30891-000	---
2	6	Cover, 4 Pole	032-00006-700	---
*	7	Harness, Heater (4 & 6 Pin Plug)	373-16933-001	373-16641-001

NOTE: *Not Shown

New replacement parts shown in **bold** face type at the first printing of parts list dated 9/03.
 Major components and suggested stocking items are shown with shaded item number.
 "<" Across from row indicates a change in that row.
 --- Not applicable to specified model.



TO ORDER AUTHORIZED FACTORY REPLACEMENT PARTS - Contact your Source1 HVAC Parts Distributor or visit our website at www.Source1Parts.com for a Distributor and Dealer listing.