



www.Source1Parts.com

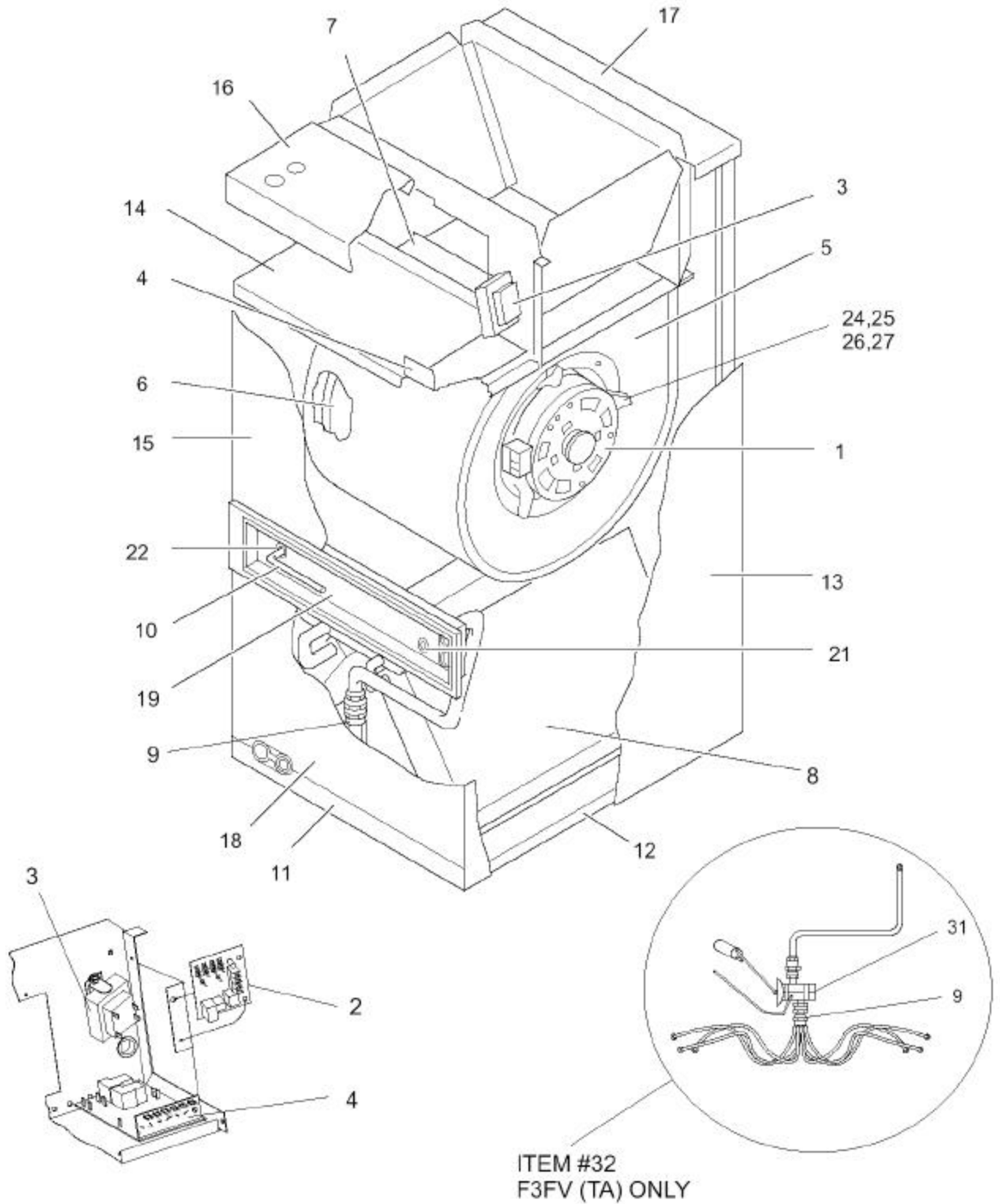
HVAC SERVICE PARTS

F2FV (A&B), F3FV (TA) VARIABLE SPEED FAN COIL UNIT

Supersedes:035-17731-001 Rev. A (0902)

035-17731-002 Rev. B (0504)

1 of 4



Model 60

ITEM	DESCRIPTION	F2FV060H06A F2FV060H06B	F3FV060H06TA
1	Motor, Direct Drive Blower (Programmed)	024-31941-004	024-31941-004
2	CFM Selection Board	031-01958-000	031-01958-000
3	Transformer (40VA)	025-18452-000	025-18452-000
4	Module, Heat Control	031-01264-002	031-01264-002
5	Housing, Blower	373-18075-003	373-18075-003
6	Wheel, Blower	026-34501-000	026-34501-000
7	Plate, Cutoff (Blower)	073-15745-000	073-15745-000
8	Coil , Evaporator (Complete Coil w/Drain Pan)	373-18115-002	373-18115-102
9	Distributor w/Orifice	025-31938-090	025-31938-090
10	Header Assembly	373-17563-001	373-17563-101
11	Door, Filter	073-20962-000	073-20962-000
12	Pan, Drain	032-00170-001	032-00170-001
13	Wrapper (Insulated)	373-20996-016	373-20996-016
14	Panel, Control	073-18369-000	073-18369-000
15	Panel, Door (Top)	373-18081-001	373-18081-001
16	Panel, Front Top	373-15422-016	373-15422-016
17	Panel, Rear Top	373-15421-016	373-15421-016
18	Panel, Bottom	373-16621-002	373-16621-002
19	Panel, Recessed	032-00148-006	032-00148-006
20*	Plate, Circuit Breaker	032-00158-000	032-00158-000
21	Grommet, 3/8"	028-13202-000	028-13202-000
22	Grommet, 7/8"	028-13205-000	028-13205-000
23*	Diagram, Wiring	035-14501-000	035-14501-000
24	Motor Mount	026-31459-000	026-31459-000
25	Tube, Isolator (3 Req'd)	028-09412-001	028-09412-001
26	Washer, Isolator (3 Req'd)	028-09412-002	028-09412-002
27	Sleeve, Isolator (3 Req'd)	028-14782-000	028-14782-000
28*	Pan, Horizontal Drain	032-00176-000	032-00176-000
29*	Cap, Knurled Valve	023-10745-000	023-10745-000
30*	Standoff, Plastic	028-13201-000	028-13201-000
31	Valve, TXV	---	025-31990-000
32	Distributor Assembly w/TXV	---	373-19721-001
33*	Harness, Wiring (16 Pin)	373-18236-001	373-18236-001
34*	Harness, Power (4 Pin)	373-15424-001	373-15424-001
35*	Harness, Low Volt Plug (Jumper)	373-15425-001	373-15425-001
36*	Harness, Wiring (6 Pin)	373-18237-001	373-18237-001
37*	Harness, Power (5 Pin)	373-18235-001	373-18235-001

<

NOTE: *Not ShownNew replacement parts shown in **bold** face type at the first printing of parts list dated 5/04.

Major components and suggested stocking items are shown with shaded item number.

"←" Across from row indicates a change in that row.

--- Not applicable to specified model.



***Heat Kit Service Parts:**

ITEM	DESCRIPTION	7.5 KW	7.5 KW	10 KW	10 KW
		W/O Breaker 2HK06500806B	W/Breaker 2HK16500806B	W/O Breaker 2HK06501006B	W/Breaker 2HK16501006B
1	Block, Terminal (1 Req'd)	025-29125-000	---	025-29125-000	---
2	Element, Heating (1 Req'd)	025-30875-000	025-30876-000	025-30877-000	025-33327-000
3	Control, Temperature	025-32606-000	025-32606-000	025-32606-000	025-32606-000
4	Breaker, Circuit (45A) Breaker, Circuit (60A)	---	024-25298-004 ---	---	---
5	Relay, Electrical	024-25986-000	024-25986-000	024-25986-000	024-25986-000

ITEM	DESCRIPTION	15 KW	18 KW	20 KW	25 KW
		W/Breaker 2HK16501506B	W/Breaker 2HK16501806B	W/Breaker 2HK16502006B	W/Breaker 2HK16502506B
1	Element, Heating (1 Req'd)	025-33328-000	025-33473-000	025-30880-000	025-30881-000
2	Control, Temperature	025-32606-000	025-32606-000	025-32606-000	025-32606-000
3	Breaker, Circuit (30A, 1 Req'd) Breaker, Circuit (45A, 3 Req'd)	024-25298-002 ---	---	---	024-25298-002 ---
4	Breaker, Circuit (60A, 1 Req'd) Breaker, Circuit (60A, 2 Req'd)	024-25298-003 ---	---	---	---
5	Jumper Bar	025-30891-000	024-26053-000	025-30891-000	025-326053-000
6	Cover, 4 Pole Cover, 6 Pole	032-00006-700 ---	---	032-00006-700 ---	---
7	Relay, Electrical (2 Req'd) Relay, Electrical (3 Req'd) Relay, Electrical (4 Req'd)	024-25986-000 ---	024-27588-000 ---	---	---
8	Lug, Electrical (Ground), (1 Req'd) Lug, Electrical (Ground), (2 Req'd)	025-21798-000 ---	-- 025-21798-000	025-21798-000 ---	---

NOTE: *Not ShownNew replacement parts shown in **bold** face type at the first printing of parts list dated 5/04.

Major components and suggested stocking items are shown with shaded item number.

"←" Across from row indicates a change in that row.

--- Not applicable to specified model.



TO ORDER AUTHORIZED FACTORY REPLACEMENT PARTS - Contact your Source1 HVAC Parts Distributor or visit our website at www.Source1Parts.com for a Distributor and Dealer listing.