



www.Source1Parts.com

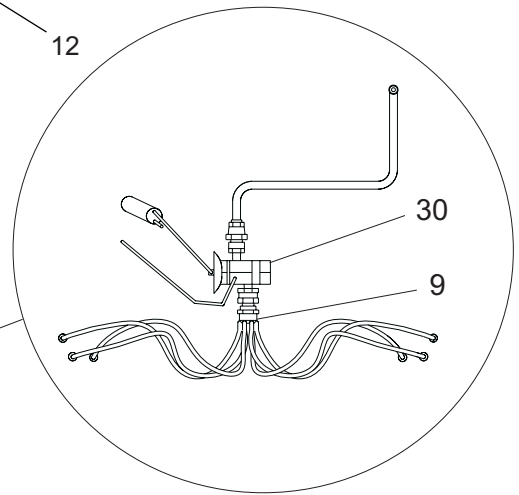
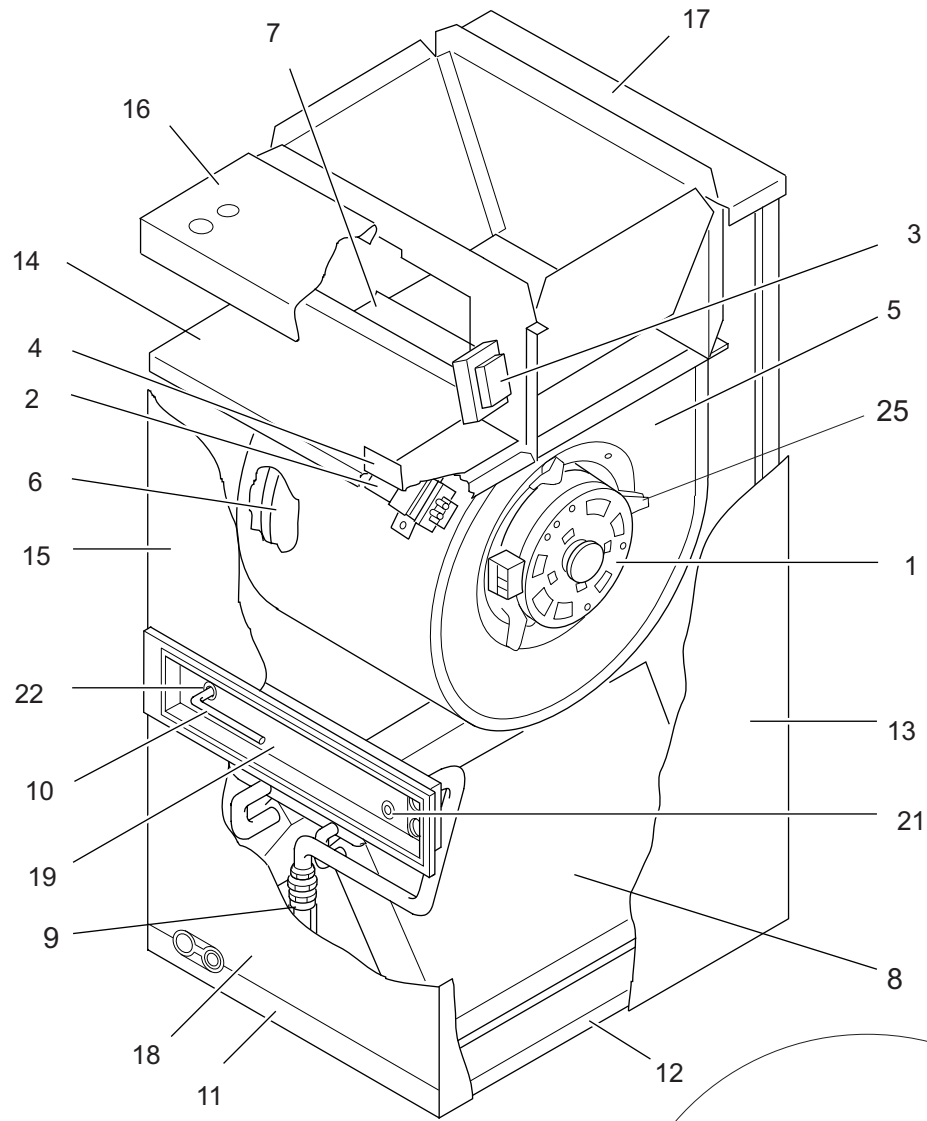
HVAC SERVICE PARTS

F2RP (G), F3RP (TG) SERIES FAN COIL UNIT

Supersedes:035-20104-001 Rev. A (0704)

035-20104-001 Rev. B (0806)

1 of 4



ITEM #31
F3RP (TA) ONLY

Models F2RP18, 24, 30, 36, and 42

ITEM	DESCRIPTION	F2RP018N06G	F2RP024N06G	F2RP030N06G	F2RP036N06G	F2RP042N06G
		F2RP018H06G	F2RP024H06G	F2RP030H06G	F2RP036H06G	F2RP042H06G
1	Motor, Direct Drive Blower	024-25982-000	024-25982-000	024-26086-000	024-26087-000	024-25985-000
2	Capacitor (10MFD)	024-20046-000	024-20046-000	024-20046-000	024-20046-000	---
	Capacitor (12.5MFD)	---	---	---	---	024-25899-000
3	Transformer	025-18452-000	025-18452-000	025-18452-000	025-18452-000	025-18452-000
4	Module, Control	031-01264-002	031-01264-002	031-01264-002	031-01264-002	031-01264-002
5	Housing, Blower	S1-37323861001	S1-37323861001	S1-37319707200	S1-37319707200	S1-37319707200
6	Wheel, Blower	026-34003-000	026-34004-000	026-34005-000	026-34005-000	026-34005-000
7	Cutoff, Blower	073-14495-000	073-14495-000	073-14494-000	073-14494-000	073-14494-000
8	Complete Coil w/Drain Pan	373-18109-001	373-18110-001	373-18108-001	373-18111-001	373-18112-001
9	Distributor w/Orifice	022-08971-053	022-08972-061	022-08972-065	022-08974-075	022-08974-078
10	Manifold Assembly	373-15415-001	373-14584-001	373-14588-001	373-15357-001	373-17539-001
11	Door, Filter	073-20960-000	073-20960-000	073-20960-000	073-20961-000	073-20961-000
12	Pan, Drain	032-00172-000	032-00172-000	032-00172-000	032-00173-000	032-00173-000
13	Wrapper	373-20995-001	373-20995-001	373-20995-001	373-20995-002	373-20995-002
14	Panel, Control	073-17920-000	073-17920-000	073-17920-000	073-22087-000	073-22087-000
15	Panel, Door (Top)	373-15383-001	373-15383-001	373-15383-001	373-15383-002	373-15383-002
16	Panel, Front Top	373-15422-001	373-15422-001	373-15422-001	373-15422-002	373-15422-002
17	Panel, Rear Top	373-15421-001	373-15421-001	373-15421-001	373-15421-002	373-15421-002
18	Panel, Bottom (Front)	373-15384-001	373-15384-001	373-15384-001	373-15384-002	373-15384-002
19	Panel, Recessed (N-model)	032-00148-001	032-00148-001	032-00148-001	032-00148-002	032-00148-002
	Panel, Recessed (H-model)	032-00148-004	032-00148-004	032-00148-004	032-00148-005	032-00148-005
20*	Plate, Circuit Breaker	032-00161-000	032-00161-000	032-00161-000	032-00161-000	032-00161-000
21	Grommet, 3/8"	028-13202-000	028-13202-000	028-13202-000	028-13202-000	028-13202-000
22	Grommet, 5/8"	028-13203-000	028-13203-000	---	---	---
	Grommet, 3/4"	---	---	028-13204-000	028-13204-000	---
	Grommet, 7/8"	---	---	---	---	028-13205-000
23*	Diagram, Wiring	035-14500-000	035-14500-000	035-14500-000	035-14500-000	035-14500-000
24*	Paint, Touch-up	513-02934-000	513-02934-000	513-02934-000	513-02934-000	513-02934-000
25	Arm, Motor Mount	---	---	---	---	---
26*	Band, Motor Mounting	---	---	---	---	---
27*	Pan, Horizontal Drain (H-model)	032-00175-000	032-00175-000	032-00175-000	032-00175-000	032-00175-000
28*	Valve Cap, Knurled	023-10745-000	023-10745-000	023-10745-000	023-10745-000	023-10745-000
29*	Stand-off, Plastic	028-13201-000	028-13201-000	028-13201-000	028-13201-000	028-13201-000
30						
31						
32*	Harness, Power (4 Pin)	373-15424-001	373-15424-001	373-15424-001	373-15424-001	373-15424-001
33*	Harness, Low Volt Plug (Jumper)	373-15425-001	373-15425-001	373-15425-001	373-15425-001	373-15425-001
34*	Mount, 1 PC Motor	S1-07319831001	S1-07319831001	S1-07319831001	S1-07319831001	S1-07319831001
35*	Grommet, Motor Mount (3 Req'd)	S1-02814740000	S1-02814740000	S1-02814740000	S1-02814740000	S1-02814740000
36*	Ferrule, Motor Mount (3 Req'd)	S1-02320541000	S1-02320541000	S1-02320541000	S1-02320541000	S1-02320541000

NOTE: *Not Shown

New replacement parts shown in **bold** face type at the first printing of parts list dated 8/06.

Major components and suggested stocking items are shown with shaded item number.

"<" Across from row indicates a change in that row.

--- Not applicable to specified model.

Models F3RP024, 30, 36, and 42 (Factory Installed TXV Valve)

ITEM	DESCRIPTION	F3RP024H06TG	F3RP030H06TG	F3RP036H06TG	F3RP042H06TG
1	Motor, Direct Drive Blower	024-25982-000	024-26086-000	024-26087-000	024-25985-000
2	Capacitor (10MFD)	024-20046-000	024-20046-000	024-20046-000	---
	Capacitor (12.5MFD)	---	---	---	024-25899-000
3	Transformer	025-18452-000	025-18452-000	025-18452-000	025-18452-000
4	Module, Control	031-01264-002	031-01264-002	031-01264-002	031-01264-002
5	Housing, Blower	S1-37323861001	S1-37319707200	S1-37319707200	S1-37319707200
6	Wheel, Blower	026-34004-000	026-34005-000	026-34005-000	026-34005-000
7	Cutoff, Blower	073-14495-000	073-14494-000	073-14494-000	073-14494-000
8	Complete Coil w/Drain Pan	373-18110-101	373-18108-101	373-18111-101	373-18112-101
9	Distributor w/Orifice	022-08972-061	022-08972-065	022-08974-075	022-08974-078
10	Header Assembly	373-14584-101	373-14588-101	373-15357-101	373-17539-101
11	Door, Filter	073-20960-000	073-20960-000	073-20961-000	073-20961-000
12	Pan, Drain	032-00172-000	032-00172-000	032-00173-000	032-00173-000
13	Wrapper	373-20995-001	373-20995-001	373-20995-002	373-20995-002
14	Panel, Control	073-17920-000	073-17920-000	073-22087-000	073-22087-000
15	Panel, Door (Top)	373-15383-001	373-15383-001	373-15383-002	373-15383-002
16	Panel, Front Top	373-15422-001	373-15422-001	373-15422-002	373-15422-002
17	Panel, Rear Top	373-15421-001	373-15421-001	373-15421-002	373-15421-002
18	Panel, Bottom (Front)	373-15384-001	373-15384-001	373-15384-002	373-15384-002
19	Panel, Recessed	032-00148-004	032-00148-004	032-00148-005	032-00148-005
20*	Plate, Circuit Breaker	032-00161-000	032-00161-000	032-00161-000	032-00161-000
21	Grommet, 3/8"	028-13202-000	028-13202-000	028-13202-000	028-13202-000
22	Grommet, 5/8"	028-13203-000	---	---	---
	Grommet, 3/4"	---	028-13204-000	028-13204-000	---
	Grommet, 7/8"	---	---	---	028-13205-000
23*	Diagram, Wiring	035-14500-000	035-14500-000	035-14500-000	035-14500-000
24*	Paint, Touch-up	513-02934-000	513-02934-000	513-02934-000	513-02934-000
25	Arm, Motor Mount	---	---	---	---
26*	Band, Motor Mounting	---	---	---	---
27*	Pan, Horizontal Drain	032-00175-000	032-00175-000	032-00175-000	032-00175-000
28*	Valve Cap, Knurled	023-10745-000	023-10745-000	023-10745-000	023-10745-000
29*	Stand-off, Plastic	028-13201-000	028-13201-000	028-13201-000	028-13201-000
30	Valve, TXV	025-31988-000	025-31988-000	025-31989-000	025-31989-000
31	Distributor Assembly w/TXV	373-19721-007	373-19721-006	373-19721-005	373-19721-004
32*	Harness, Power (4 Pin)	373-15424-001	373-15424-001	373-15424-001	373-15424-001
33*	Harness, Low Volt Plug (Jumper)	373-15425-001	373-15425-001	373-15425-001	373-15425-001
34*	Mount, 1 PC Motor	S1-07319831001	S1-07319831001	S1-07319831001	S1-07319831001
35*	Grommet, Motor Mount (3 Req'd)	S1-02814740000	S1-02814740000	S1-02814740000	S1-02814740000
36*	Ferrule, Motor Mount (3 Req'd)	S1-02320541000	S1-02320541000	S1-02320541000	S1-02320541000

NOTE: *Not ShownNew replacement parts shown in **bold** face type at the first printing of parts list dated 8/06.

Major components and suggested stocking items are shown with shaded item number.

"←" Across from row indicates a change in that row.

--- Not applicable to specified model.

***Heat Kit Service Parts:**

ITEM	DESCRIPTION	2.5 KW	2.5 KW	5 KW	5 KW
		W/O Breaker 2HK06500206B	W/Breaker 2HK16500206B	W/O Breaker 2HK06500506B	W/Breaker 2KH16500506B
1	Block, Terminal (1 Req'd)	025-29125-000	---	025-29125-000	---
2	Element, Heating (1 Req'd)	025-30871-000	025-30872-000	025-30873-000	025-30874-000
3	Control, Temperature	025-32606-000	025-32606-000	025-32606-000	025-32606-000
4	Breaker, Circuit (15A) Breaker, Circuit (30A)	---	024-25298-001 ---	---	---

ITEM	DESCRIPTION	7.5 KW	7.5 KW	10 KW	10 KW
		W/O Breaker 2HK06500806B	W/Breaker 2HK16500806B	W/O Breaker 2HK06501006B	W/Breaker 2HK16501006B
1	Block, Terminal (1 Req'd)	025-29125-000	---	025-29125-000	---
2	Element, Heating (1 Req'd)	025-30875-000	025-30876-000	025-30877-000	025-33327-000
3	Control, Temperature	025-32606-000	025-32606-000	025-32606-000	025-32606-000
4	Breaker, Circuit (45A) Breaker, Circuit (60A)	---	024-25298-004 ---	---	---
5	Relay, Electrical	024-25986-000	024-25986-000	024-25986-000	024-25986-000

ITEM	DESCRIPTION	15 KW	18 KW	20 KW	25 KW
		W/Breaker 2HK16501506B	W/Breaker 2HK16501806B	W/Breaker 2HK16502006B	W/Breaker 2HK16502506B
1	Element, Heating (1 Req'd)	025-33328-000	025-33473-000	025-30880-000	025-30881-000
2	Control, Temperature	025-32606-000	025-32606-000	025-32606-000	025-32606-000
3	Breaker, Circuit (30A, 1 Req'd) Breaker, Circuit (45A, 3 Req'd)	024-25298-002 ---	---	---	024-25298-002 ---
4	Breaker, Circuit (60A, 1 Req'd) Breaker, Circuit (60A, 2 Req'd)	024-25298-003 ---	---	---	---
5	Jumper Bar	025-30891-000	024-26053-000	025-30891-000	025-26053-000
6	Cover, 4 Pole Cover, 6 Pole	032-00006-700 ---	---	032-00006-700 ---	---
7	Relay, Electrical (2 Req'd) Relay, Electrical (3 Req'd) Relay, Electrical (4 Req'd)	024-25986-000 ---	024-27588-000 ---	---	---
8	Lug, Electrical (Ground), (1 Req'd) Lug, Electrical (Ground), (2 Req'd)	025-21798-000 ---	---	025-21798-000 ---	---

NOTE: *Not ShownNew replacement parts shown in **bold** face type at the first printing of parts list dated 806.

Major components and suggested stocking items are shown with shaded item number.

"←" Across from row indicates a change in that row.

--- Not applicable to specified model.

TO ORDER AUTHORIZED FACTORY REPLACEMENT PARTS - Contact your Source1 HVAC Parts Distributor or visit our website at www.Source1Parts.com for a Distributor and Dealer listing.

This document Appends 035-16490-002 Rev. A (0902).