



www.Source1Parts.com

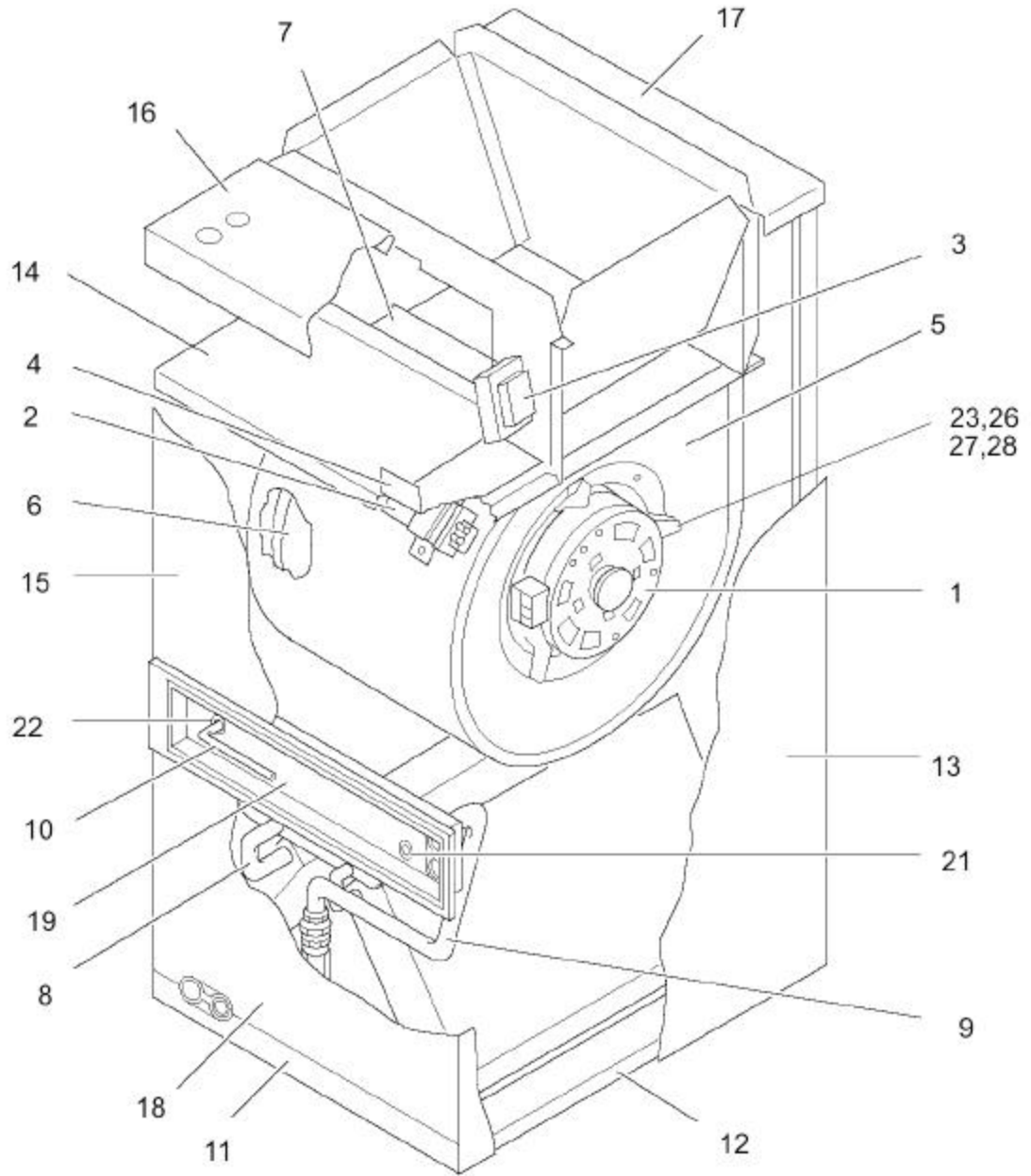
F2RP 50 HZ SERIES FAN COIL UNIT (STYLE G)

HVAC SERVICE PARTS

Supersedes:Nothing

035-20106-001 Rev. A (0404)

1 of 4



Models 24, 36, 48, and 60

ITEM	DESCRIPTION	F2RP024N93G	F2RP036N93G	F2RP048N93G	F2RP060N93G	<
1	Motor, Direct Drive Blower	024-31407-000	024-27579-000	024-27580-000	024-27581-000	
2	Capacitor (10MFD) Capacitor (15MFD)	024-20046-000 ---	024-20046-000 ---	--- 024-25900-000	--- 024-25900-000	
3	Transformer	025-18452-000	025-18452-000	025-18452-000	025-18452-000	
4	Module, Control	031-01264-002	031-01264-002	031-01264-002	031-01264-002	
5	Housing, Blower	373-18075-001	373-18075-002	373-18075-003	373-18075-003	
6	Wheel, Blower	026-34004-000	026-34005-000	026-34501-000	026-34501-000	
7	Cutoff, Blower	073-14495-000	073-14494-000	073-15745-000	073-15745-000	
8	Complete Coil w/Drain Pan	373-18110-001	373-18111-001	373-18113-001	373-18115-002	
9	Distributor w/Orifice	022-08972-061	022-08974-075	025-31937-084	025-31938-090	
10	Manifold Assembly	373-14584-001	373-15357-001	373-16608-001	373-17563-001	
11	Door, Filter	073-20960-000	073-20961-000	073-20962-000	073-20962-000	
12	Pan, Drain	032-00172-000	032-00173-000	032-00170-001	032-00170-001	
13	Wrapper	373-20995-004	373-20995-005	373-20996-016	373-20996-016	
14	Panel, Control	073-17920-000	073-22087-000	073-18369-000	073-18369-000	
15	Panel, Door (Top)	373-15383-004	373-15383-005	373-18081-001	373-18081-001	
16	Panel, Front Top	373-15422-004	373-15422-005	373-15422-016	373-15422-016	
17	Panel, Rear Top	373-15421-004	373-15421-005	373-15421-016	373-15421-016	
18	Panel, Bottom (Front)	373-15384-004	373-15384-005	373-16621-002	373-16621-002	
19	Panel, Recessed	032-00148-001	032-00148-002	032-00148-003	032-00148-003	
20*	Plate, Circuit Breaker	032-00161-000	032-00161-000	032-00158-000	032-00158-000	
21	Grommet, 3/8"	028-13202-000	028-13202-000	028-13202-000	028-13202-000	
22	Grommet, 5/8" Grommet, 3/4" Grommet, 7/8"	028-13203-000 --- ---	--- 028-13204-000 ---	--- --- 028-13205-000	--- --- 028-13205-000	
23	Mount, Motor (See Note 1)	---	---	026-31459-000	026-31459-000	
24*	Diagram, Wiring	035-14500-000	035-14500-000	035-14500-000	035-14500-000	
25*	Paint, Touch-up	513-02934-000	513-02934-000	513-02934-000	513-02934-000	
26	Tube, Isolator (3 Req'd)	---	---	028-09412-001	028-09412-001	
27	Washer, Isolator (3 Req'd)	---	---	028-09412-002	028-09412-002	
28	Sleeve, Isolator (3 Req'd)	---	---	028-14782-000	028-14782-000	
29*	Valve Cap, Knurled	023-10745-000	023-10745-000	023-10745-000	023-10745-000	
30*	Harness, Power (4 Pin)	373-15424-001	373-15424-001	373-15424-001	373-15424-001	
31*	Harness, Low Volt Plug (Jumper)	373-15425-001	373-15425-001	373-15425-001	373-15425-001	

NOTE: *Not Shown

New replacement parts shown in **bold** face type at the first printing of parts list dated 4/04.

Major components and suggested stocking items are shown with shaded item number.

"<" Across from row indicates a change in that row.

--- Not applicable to specified model.

1 Where motor mount is not specified, it is part of the blower motor

***Heat Kit Service Parts:**

ITEM	DESCRIPTION	2.5 KW W/O Breaker 2HK06500206B	2.5 KW W/Breaker 2KH16500206B	5 KW W/O Breaker 2HK06500506B	5 KW W/Breaker 2HK16500506B
1	Block, Terminal (1 Req'd)	025-29125-000	---	025-29125-000	---
2	Element, Heating (1 Req'd)	025-30871-000	025-30872-000	025-30873-000	025-30874-000
3	Control, Temperature	025-32606-000	025-32606-000	025-32606-000	025-32606-000
4	Breaker, Circuit (15A) Breaker, Circuit (30A)	---	024-25298-001 ---	---	---

ITEM	DESCRIPTION	7.5 KW W/O Breaker 2HK06500806B	7.5 KW W Breaker 2HK16500806B	10 KW W/O Breaker 2HK06501006B	10 KW W/Breaker 2HK16501006B
1	Block, Terminal (1 Req'd)	025-29125-000	---	025-29125-000	---
2	Element, Heating (1 Req'd)	025-30875-000	025-30876-000	025-30877-000	025-33327-000
3	Control, Temperature	025-32606-000	025-32606-000	025-32606-000	025-32606-000
4	Breaker, Circuit (45A) Breaker, Circuit (60A)	---	024-25298-004 ---	---	---
5	Relay, Electrical	024-25986-000	024-25986-000	024-25986-000	024-25986-000

ITEM	DESCRIPTION	15 KW W/Breaker 2HK16501506B	18 KW W/Breaker 2HK16501806B	20 KW W/Breaker 2HK16502006B	25 KW W/Breaker 2HK16502506B
1	Element, Heating (1 Req'd)	025-33328-000	025-33473-000	025-30880-000	025-30881-000
2	Control, Temperature	025-32606-000	025-32606-000	025-32606-000	025-32606-000
3	Breaker, Circuit (30A, 1 Req'd) Breaker, Circuit (45A, 3 Req'd)	024-25298-002 ---	---	---	024-25298-002 ---
4	Breaker, Circuit (60A, 1 Req'd) Breaker, Circuit (60A, 2 Req'd)	024-25298-003 ---	---	---	---
5	Jumper Bar	025-30891-000	024-26053-000	025-30891-000	025-26053-000
6	Cover, 4 Pole Cover, 6 Pole	032-00006-700 ---	---	032-00006-700 ---	---
7	Relay, Electrical (2 Req'd) Relay, Electrical (3 Req'd) Relay, Electrical (4 Req'd)	024-25986-000 ---	024-27588-000 ---	---	---
8	Lug, Electrical (Ground), (1 Req'd) Lug, Electrical (Ground), (2 Req'd)	025-21798-000 ---	---	025-21798-000 ---	---

NOTE: *Not Shown

New replacement parts shown in **bold** face type at the first printing of parts list dated 4/04.

Major components and suggested stocking items are shown with shaded item number.

"<" Across from row indicates a change in that row.

--- Not applicable to specified model.



TO ORDER AUTHORIZED FACTORY REPLACEMENT PARTS - Contact your Source1 HVAC Parts Distributor or visit our website at www.Source1Parts.com for a Distributor and Dealer listing.

This document Appends:035-16492-001 Rev. E (0303)