



www.Source1Parts.com

HVAC SERVICE PARTS

# EABA, EBBA SERIES - 10 SEER , 1PH & 3PH HEAT PUMP- OUTDOOR UNIT (STYLE G)

Supersedes:035-20520-001 Rev. A (0704)

035-20520-001 Rev. B (0405)

1 of 8

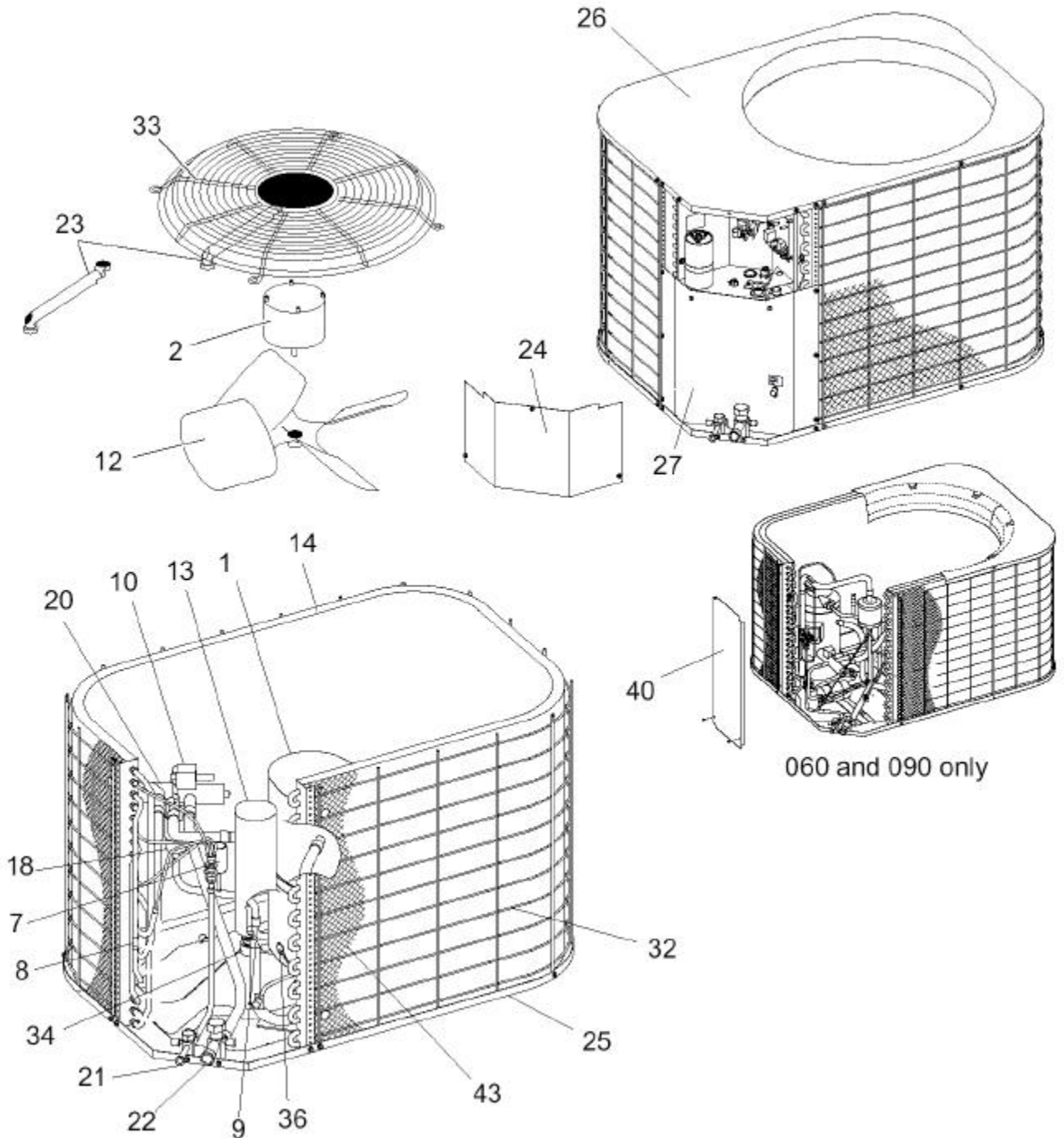


FIG. 1 - HEAT PUMP- OUTDOOR UNIT

Models 18, 24, 30, and 36 - Single Phase						
FIG	ITEM	DESCRIPTION	EBBA-F018SG	EBBA-F024SG	EABA-F030SG	EABA-F036SG
1	1	Compressor, Hermetic	015-02901-004	015-02697-001	015-02774-001	015-02624-001
*	1A	Harness, Compressor	025-31884-000	025-31884-000	025-31884-000	025-31884-000
1	2	Motor, Fan	024-26067-010	024-26067-010	024-26020-000	024-26020-000
2	3	Capacitor, Run (30/5MFD) [RC]	024-24778-000	024-24778-000	---	---
		Capacitor, Run (35/5MFD) [RC]	---	---	024-23998-000	---
		Capacitor, Run (45/5MFD) [RC]	---	---	---	024-25895-000
2	4	Switch, Limit (Heater)	025-31924-000	025-31924-000	025-31924-000	025-31924-000
2	5	Contact, Electrical (30 amp) [M]	024-27531-000	024-27531-000	024-27531-000	024-27531-000
2	6	Control, Defrost	031-01954-000	031-01954-000	031-01954-000	031-01954-000
1	7	Control, Pressure	025-33305-048	025-33305-048	025-33305-048	025-33305-048
1	8	Sensor, Liquid Replacement	025-31994-000	025-31994-000	025-31994-000	025-31994-000
1	9	Switch, High Temperature	---	---	---	---
1	10	Coil, Solenoid	025-38948-000	025-38948-000	025-38948-000	025-38948-000
2	11	Fan Relay	---	---	---	---
1	12	Blade, Fan (18")	026-34091-000	026-34091-000	026-34092-000	026-34092-000
1	13	Accumulator	026-34089-000	026-34089-000	026-34089-000	026-34089-000
1	14	Coil, Condenser	373-19800-011	373-19800-012	373-19800-013	373-19800-013
2	15	Distributor (.037 Orifice)	022-09010-337	-	---	---
		Distributor (.042 Orifice)	---	022-09010-342	---	---
		Distributor (.044 Orifice)	---	---	022-09010-444	---
		Distributor (.055 Orifice)	---	---	---	022-09010-455
	16					
*	17	Check Valve	---	---	---	---
1	18	Filter Drier	1458-0011	1458-0011	1458-0011	1458-0011
	19					
1	20	Valve, Reversing	025-38944-000	025-38944-000	025-38944-000	025-38945-000
1	21	Valve, Liquid (3/8")	025-31899-000	025-31899-000	025-31899-000	025-31899-000
1	22	Valve, Suction (3/4")	025-31900-000	025-31900-000	025-31900-000	025-31900-000
1	23	Wireway, (Electric Channel)	028-13215-000	028-13215-000	028-13215-000	028-13215-000
1	24	Cover, Electric Box	073-20018-001	073-20018-001	073-20018-001	073-20018-001
1	25	Base, Pan	073-20045-001	073-20045-001	073-20045-001	073-20045-001
1	26	Panel, Top	073-20011-001	073-20011-001	073-20011-001	073-20011-001
1	27	Plate, Block-Off	073-20028-036	073-20028-042	073-20028-042	073-20028-042
*	28	Indoor Orifice (.053)	029-19387-002	---	---	---
		Indoor Orifice (.051)	029-19387-021	---	---	---
		Indoor Orifice (.061)	---	029-19387-003	---	---
		Indoor Orifice (.059)	---	029-19387-010	---	---
		Indoor Orifice (.065)	---	---	029-19387-011	---
		Indoor Orifice (.067)	---	---	029-19387-016	---
		Indoor Orifice (.073)	---	---	---	029-19387-005
		Indoor Orifice (.075)	---	---	---	029-19387-017
Indoor Orifice (.071)	---	---	---	029-19387-029		
	29					
2	30	Ground Lug	025-21798-000	025-21798-000	025-21798-000	025-21798-000
2	31	Strain Relief	1216-243	1216-243	1216-243	1216-243
1	32	Guard, Coil	373-23711-001	373-23706-001	373-23706-001	373-23706-001
1	33	Guard, Fan	026-35511-818	026-35511-818	026-35511-818	026-35511-818
1	34	Isolator, Compressor (Pkg. of 4)	9435-1081	9435-1081	9435-1081	9435-1081
2	35	Electrical Plug	025-33306-006	025-33306-006	025-33306-006	025-33306-006
1	36	Crankcase Heater	1450-9511	---	---	---
*	37	Diagram, Wiring	035-15860-003	035-15860-003	035-15860-003	035-15860-003
*	38	Kit, Motor Mounting (Acorn Nuts)	363-90117-700	363-90117-700	363-90117-700	363-90117-700
1	43	Mesh, Coil Guard	028-14726-000	028-14727-000	028-14727-000	028-14727-000
*	44	Fastener, Push-in (4 Req'd)	021-18381-000	021-18381-000	021-18381-000	021-18381-000

**NOTE:** \*Not Shown

New replacement parts shown in **bold** face type at the first printing of parts list dated 4/05.

Major components and suggested stocking items are shown with shaded item number.

"<" Across from row indicates a change in that row.

--- Not applicable to specified model.

1 Refer to Tech Guide for proper selection of orifice.

Models 42, 48, and 60 - Single Phase					
FIG	ITEM	DESCRIPTION	EABA-F042SG	EBBA-F048SG	EABA-F060SG
1	1	Compressor, Hermetic	015-02763-004	015-02793-004	015-02768-004
*	1A	Harness, Compressor	025-31884-000	---	---
1	2	Motor, Fan	024-27596-000	024-27596-000	024-27596-000
2	3	Capacitor, Run (40/5MFD) [RC]	024-25894-000	---	---
		Capacitor, Run (50/5MFD) [RC]	---	024-25896-000	---
		Capacitor, Run (80/5MFD) [RC]	---	---	024-26037-000
2	4	Switch, Limit (Heater)	025-31924-000	---	---
2	5	Contactor, Electrical (30 amp) [M]	024-27531-000	024-27531-000	---
		Contactor, Electrical (40 amp) [M]	---	---	024-25837-000
2	6	Control, Defrost	031-01954-000	031-01954-000	031-01954-000
1	7	Control, Pressure	025-33305-048	025-33305-048	025-33305-048
1	8	Sensor, Liquid Replacement	025-31994-000	025-31994-000	025-31994-000
1	9	Switch, High Temperature	---	---	---
1	10	Coil, Solenoid	025-38948-000	025-38948-000	025-38948-000
2	11	Fan Relay	---	---	---
1	12	Blade, Fan (22")	026-34593-000	026-34593-000	026-34094-000
1	13	Accumulator	026-34090-000	026-35441-000	026-34090-000
1	14	Coil, Condenser	373-19800-014	373-19800-015	373-19800-016
2	15	Distributor (.060 Orifice)	022-09010-460	---	---
		Distributor (.063 Orifice)	---	022-09010-563	---
		Distributor Assembly	---	---	1454A3391
	16				
*	17	Valve, Check	---	---	3230-3731
1	18	Filter Drier	6536-3341	6536-3341	026-34506-000
	19				
1	20	Valve, Reversing	025-38945-000	025-38946-000	025-38946-000
1	21	Valve, Liquid (3/8")	025-31899-000	025-31899-000	025-31899-000
1	22	Valve, Suction (3/4")	025-31900-000	---	---
		Valve, Suction (7/8")	---	025-31901-000	025-31901-000
1	23	Wire Way (Electrical Channel)	028-13216-001	028-13216-001	028-13216-001
1	24	Cover, Electric Box	073-20018-001	073-20018-001	073-20018-001
1	25	Base, Pan	073-20004-801	073-20004-801	073-20004-801
1	26	Panel, Top	073-20042-801	073-20042-801	073-20042-801
1	27	Plate, Block-Off	073-20002-801	073-20002-803	073-20002-804
*	28	Indoor Orifice (.078)	029-19387-006	---	---
		Indoor Orifice (.081)	029-19387-012	029-19387-012	---
		Indoor Orifice (.075) <b>(See Note 1)</b>	029-19387-017	---	---
		Indoor Orifice (.087)	---	029-19387-007	029-19387-007
		Indoor Orifice (.084)	---	029-19387-019	---
	29				
2	30	Ground Lug	025-21798-000	025-21798-000	025-21798-000
2	31	Strain Relief	1216-243	1216-243	1216-243
1	32	Guard, Coil	373-23707-001	373-23709-001	373-23710-001
1	33	Guard, Fan	026-35511-822	026-35511-822	026-35511-822
1	34	Isolator, Compressor (Pkg. of 4)	9435-1081	---	---
		Isolator, Compressor (4 Req'd)	---	028-12355-000	028-12355-000
2	35	Electrical Plug	025-33306-006	025-33306-006	025-33306-006
1	36	Crankcase Heater	1450-9511	---	---
*	37	Diagram, Wiring	035-15860-003	035-15860-003	035-15860-003
*	38	Kit, Motor Mounting (Acorn Nuts)	363-90117-700	363-90117-700	363-90117-700
*	39	Assembly, Orifice	---	---	025-31897-000
1	43	Mesh, Coil Guard	028-14728-000	028-14731-000	028-14733-000
*	44	Fastener, Push-in (4 Req'd)	021-18381-000	---	---
		Fastener, Push-in (6 Req'd)	---	021-18381-000	021-18381-000

**NOTE:** \*Not ShownNew replacement parts shown in **bold** face type at the first printing of parts list dated 4/05.

Major components and suggested stocking items are shown with shaded item number.

"←" Across from row indicates a change in that row.

--- Not applicable to specified model.

1 Refer to Tech Guide for proper selection of orifice.

Models 36, 48, 60, and 90 - Three Phase 208-230 Volt						
FIG	ITEM	DESCRIPTION	EABA-T036SG	EBBA-T048SG	EABA-T060SG	EABA-T090SG
	1	Compressor, Hermetic	015-02625-001	015-02992-004	015-02960-004	015-02923-004
*	1A	Harness, Compressor	---	---	---	---
	1	2 Motor, Fan	024-26020-000	024-27596-000	024-27596-000	024-27622-000
	2	3 Capacitor, Run (5MFD) [RC]	024-20043-000	024-20043-000	024-20043-000	---
		Capacitor, Run (15MFD) [RC]	---	---	---	024-25900-000
	2	4 Switch, Limit (Heater)	025-31924-000	---	---	---
	2	5 Contactor, Electrical (30 amp) [M]	024-25842-000	024-25842-000	024-25842-000	---
		Contactor, Electrical (40 amp) [M]	---	---	---	024-25844-000
	2	6 Control, Defrost	031-01954-000	031-01954-000	031-01954-000	031-01954-000
	1	7 Control, Pressure	025-33305-048	025-33305-048	025-33305-048	025-33305-048
	1	8 Sensor, Liquid Replacement	025-31994-000	025-31994-000	025-31994-000	025-31994-000
	1	9 Switch, High Temperature	---	---	---	025-31925-000
	1	10 Coil, Solenoid	025-38948-000	025-38948-000	025-38948-000	---
	2	11 Fan Relay	---	---	---	1460-5101
	1	12 Blade, Fan (18")	026-34092-000	---	---	---
		Blade, Fan (22")	---	026-34593-000	---	---
		Blade, Fan (24")	---	---	026-35437-000	026-35492-000
	1	13 Accumulator	026-34089-000	026-35411-000	026-34090-000	026-25573-007
	1	14 Coil, Condenser	373-19800-013	373-19800-015	373-19025-503	373-19026-903
	2	15 Distributor (.055 Orifice)	022-09010-455	---	---	---
		Distributor (.063 Orifice)	---	022-09010-563	---	---
		Distributor (.067 Orifice)	---	---	022-09010-667	---
		Distributor Assembly	---	---	---	025-33381-000
		16	---	---	---	---
*	17	Valve, Check	---	---	---	022-08938-000
	1	18 Filter Drier	1458-0011	6536-3341	026-34506-000	026-35458-000
		19	---	---	---	---
	1	20 Valve, Reversing	025-38945-000	025-38946-000	025-38947-000	025-33379-001
	1	21 Valve, Liquid (3/8")	025-31899-000	025-31899-000	025-31899-000	---
		Valve, Liquid (1/2")	---	---	---	023-18362-000
	1	22 Valve, Suction (3/4")	025-31900-000	---	---	---
		Valve, Suction (7/8")	---	025-31901-000	025-31901-000	---
		Valve, Suction (1 1/8")	---	---	---	023-18363-000
	1	23 Wireway (Electrical Channel)	028-13215-000	028-13216-001	028-13297-000	028-13297-000
	1	24 Cover, Electric Box	073-20018-001	073-20018-001	073-19009-501	073-19009-501
	1	25 Base, Pan	073-20045-001	073-20004-801	073-19001-500	073-19001-500
	1	26 Panel, Top	073-20011-001	073-20042-801	073-19002-501	073-19002-501
	1	27 Plate, Block-Off	073-20028-042	073-20002-803	073-19008-524	073-19008-530
*	28	Indoor Orifice (.075)	029-19387-017	---	---	---
		Indoor Orifice (.071)	029-19387-029	---	---	---
		Indoor Orifice (.081) <b>(See Note 1)</b>	---	029-19387-012	---	---
		Indoor Orifice (.084)	---	029-19387-019	---	---
		Indoor Orifice (.099)	---	---	029-19387-020	---
		29	---	---	---	---
	2	30 Ground Lug	025-21798-000	025-21798-000	025-21798-000	025-21798-000
	2	31 Strain Relief	1216-243	1216-243	1216-243	1216-243
	1	32 Guard, Coil	373-23706-001	373-23709-001	373-23715-001	373-23715-006
	1	33 Guard, Fan	026-35511-818	026-35511-822	026-35511-824	026-35511-824
	1	34 Isolator, Compressor (Pkg. of 4)	9435-1081	---	---	---
		Isolator, Compressor (4 Req'd)	---	028-12355-000	028-12355-000	028-12355-000
	2	35 Electrical Plug	025-33306-006	025-33306-006	025-33306-006	025-33306-006
	1	36 Crankcase Heater	1450-9511	---	---	---
*	37	Diagram, Wiring	035-15802-003	035-15802-003	035-15802-003	035-15842-003
*	38	Kit, Motor Mounting (Acorn Nuts)	363-90117-700	363-90117-700	363-90117-700	363-90117-700
*	39	Assembly, Orifice	---	---	---	---
	1	40 Panel, Filler	---	---	073-19007-124	073-19007-130
	2	41 Transformer	---	---	---	025-30376-000
*	42	Valve, Expansion	---	---	---	025-33380-000
	1	43 Mesh, Coil Guard	028-14727-000	028-14731-000	028-14729-000	028-14732-000
*	44	Fastener, Push-in (4 Req'd)	021-18381-000	---	---	---
		Fastener, Push-in (6 Req'd)	---	021-18381-000	021-18381-000	021-18381-000

**NOTE:** \*Not ShownNew replacement parts shown in **bold** face type at the first printing of parts list dated 4/05.

Major components and suggested stocking items are shown with shaded item number.

"←" Across from row indicates a change in that row.

--- Not applicable to specified model.

1 Refer to Tech Guide for proper selection of orifice.

Models 36, 48, 60, and 90 - Three Phase 460 Volt						
FIG	ITEM	DESCRIPTION	EABA-W036SG	EBBA-W048SG	EABA-W060SG	EABA-W090SG
1	1	Compressor, Hermetic	015-02626-001	015-02993-004	015-02961-004	015-02924-004
*	1A	Harness, Compressor	---	---	---	373-19097-550
1	2	Motor, Fan	024-27532-000	024-27533-000	024-27534-000	024-27623-000
2	3	Capacitor, Run (5MFD) [RC]	024-20043-000	024-20043-000	024-20043-000	---
		Capacitor, Run (15MFD) [RC]	---	---	---	024-25900-000
2	4	Switch, Limit (Heater)	025-31924-000	---	---	---
2	5	Contact, Electrical (30 amp) [M]	024-25842-000	024-25842-000	024-25842-000	---
		Contact, Electrical (40 amp) [M]	---	---	---	024-25844-000
2	6	Control, Defrost	031-01954-000	031-01954-000	031-01954-000	031-01954-000
1	7	Control, Pressure	025-33305-048	025-33305-048	025-33305-048	025-33305-048
1	8	Sensor, Liquid Replacement	025-31994-000	025-31994-000	025-31994-000	025-31994-000
1	9	Switch, High Temperature	---	---	---	025-31925-000
1	10	Coil, Solenoid	025-38948-000	025-38948-000	025-38948-000	---
2	11	Fan Relay	1460-5101	1460-5101	1460-5101	1460-5101
1	12	Blade, Fan (18")	026-34092-000	---	---	---
		Blade, Fan (22")	---	026-34593-000	---	---
		Blade, Fan (24")	---	---	026-35437-000	026-35492-000
1	13	Accumulator	026-34089-000	026-35411-000	026-34090-000	026-25573-007
1	14	Coil, Condenser	373-19800-013	373-19800-015	373-19025-503	373-19026-903
2	15	Distributor (.055 Orifice)	022-09010-455	---	---	---
		Distributor (.063 Orifice)	---	022-09010-563	---	---
		Distributor (.067 Orifice)	---	---	022-09010-667	---
		Distributor Assembly	---	---	---	025-33381-000
	16					
*	17	Valve, Check	---	---	---	022-08938-000
1	18	Filter Drier	1458-0011	6536-3341	026-34506-000	026-35458-000
	19					
1	20	Valve, Reversing	025-38945-000	025-38946-000	025-38947-000	025-33379-001
1	21	Valve, Liquid (3/8")	025-31899-000	025-31899-000	025-31899-000	---
		Valve, Liquid (3/8")	---	---	---	023-18362-000
1	22	Valve, Suction (3/4")	025-31900-000	---	---	---
		Valve, Suction (7/8")	---	025-31901-000	025-31901-000	---
		Valve, Suction (1 1/8")	---	---	---	023-18363-00
1	23	Wireway (Electrical Channel)	028-13215-000	028-13216-001	028-13297-000	028-13297-000
1	24	Cover, Electric Box	073-20018-001	073-20018-001	073-19009-501	073-19009-501
1	25	Base, Pan	073-20045-001	073-20004-801	073-19001-500	073-19001-500
1	26	Panel, Top	073-20011-001	073-20042-801	073-19002-501	073-19002-501
1	27	Plate, Block-Off	073-20028-042	073-20002-803	073-19008-524	073-19008-530
*	28	Indoor Orifice (.075) <b>(See Note 1)</b>	029-19387-017	---	---	---
		Indoor Orifice (.071)	029-19387-029	---	---	---
		Indoor Orifice (.081)	---	029-19387-012	---	---
		Indoor Orifice (.084)	---	029-19387-019	---	---
	29					
2	30	Ground Lug	025-21798-000	025-21798-000	025-21798-000	025-21798-000
2	31	Strain Relief	1216-243	1216-243	1216-243	1216-243
1	32	Guard, Coil	373-23706-001	373-23709-001	373-23715-001	373-23715-006
1	33	Guard, Fan	026-35511-818	026-35511-822	026-35511-824	026-35511-824
1	34	Isolator, Compressor (Pkg. of 4)	9435-1081	---	---	---
		Isolator, Compressor (4 Req'd)	---	028-12355-000	028-12355-000	028-12355-000
2	35	Electrical Plug	025-33306-006	025-33306-006	025-33306-006	025-33306-006
1	36	Crankcase Heater	1450-9511	---	---	---
*	37	Diagram, Wiring	035-15802-003	035-15802-003	035-15802-003	035-15842-003
*	38	Kit, Motor Mouting (Acorn Nuts)	363-90117-700	363-90117-700	363-90117-700	363-90117-700
*	39	Assembly, Orifice	---	---	---	---
1	40	Panel, Filler	---	---	073-19007-124	073-19007-130
2	41	Transformer	---	---	---	025-30377-000
*	42	Valve, Expansion	---	---	---	025-33380-000
1	43	Mesh, Coil Guard	028-14727-000	028-14731-000	028-14729-000	028-14732-000
*	44	Fastener, Push-in (4 Req'd)	021-18381-000	---	---	---
		Fastener, Push-in (6 Req'd)	---	021-18381-000	021-18381-000	021-18381-000

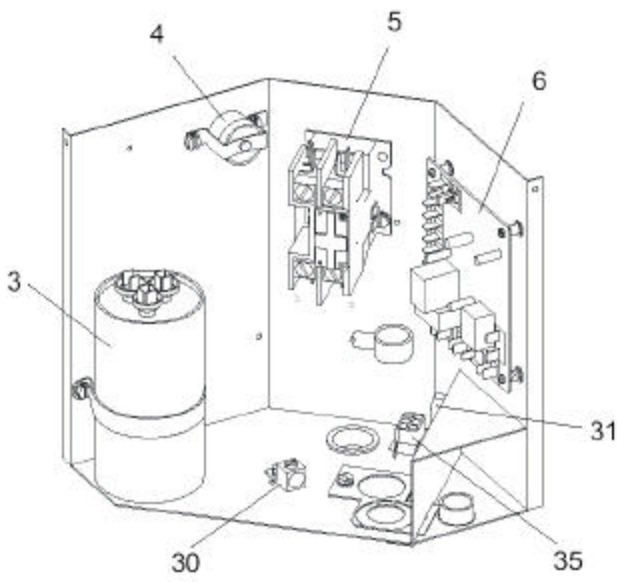
**NOTE:** \*Not ShownNew replacement parts shown in **bold** face type at the first printing of parts list dated 4/05.

Major components and suggested stocking items are shown with shaded item number.

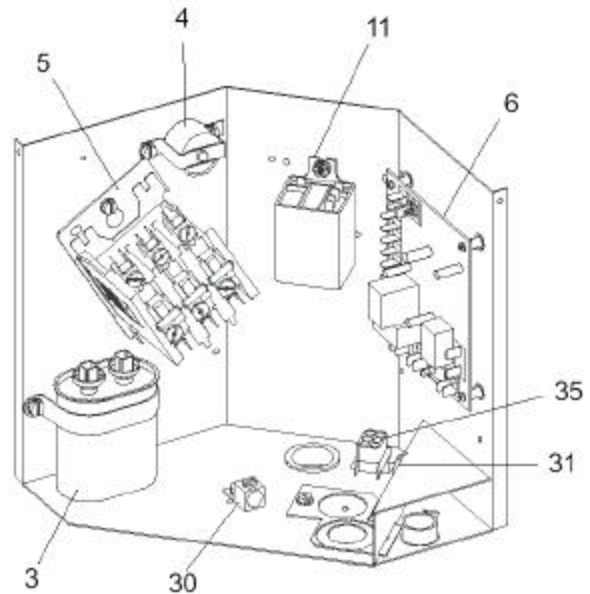
"←" Across from row indicates a change in that row.

--- Not applicable to specified model.

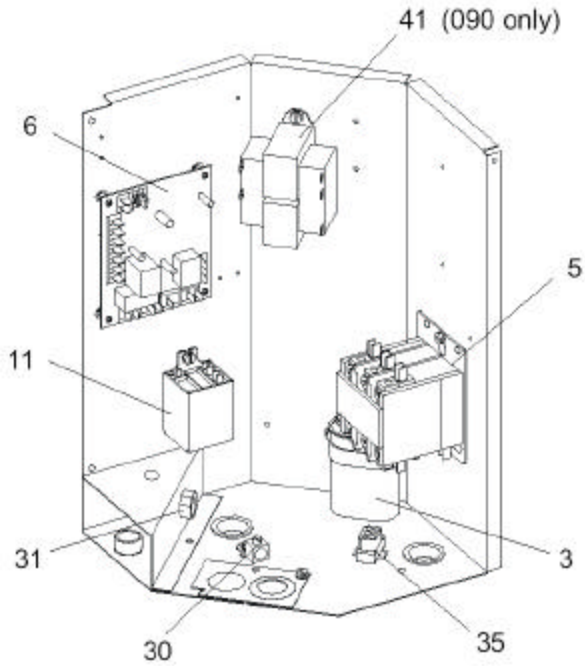
1 Refer to Tech Guide for proper selection of orifice.



208-230 VOLT SINGLE PHASE



208-230 VOLT THREE PHASE



460 VOLT THREE PHASE

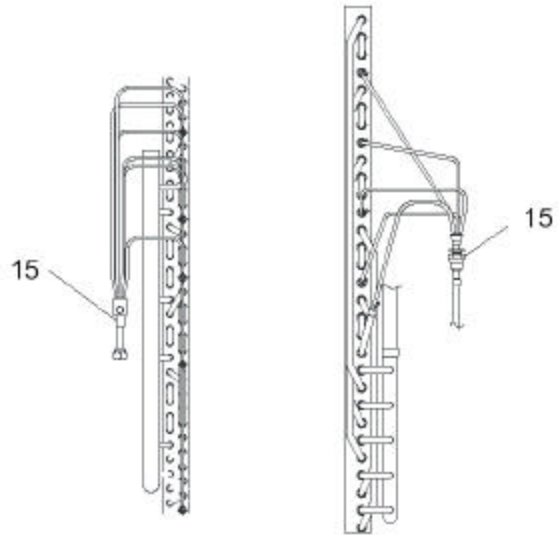


FIG.2 - CONTROLS AND LIQUID ASSEMBLY

**NOTES**

This document Appends: 035-13566-001 Rev. E (0104).

**TO ORDER AUTHORIZED FACTORY REPLACEMENT PARTS** - Contact your Source1 HVAC Parts Distributor or visit our website at [www.Source1Parts.com](http://www.Source1Parts.com) for a Distributor and Dealer listing.