



www.Source1Parts.com

GY8S BELT DRIVEN (80%) UPFLOW/HORIZONTAL NATURAL GAS FURNACE (STYLE A & B)

HVAC SERVICE PARTS

Supersedes: 035-20706-001 Rev. C (0406)

035-20706-001 Rev. D (0906)

1 of 4

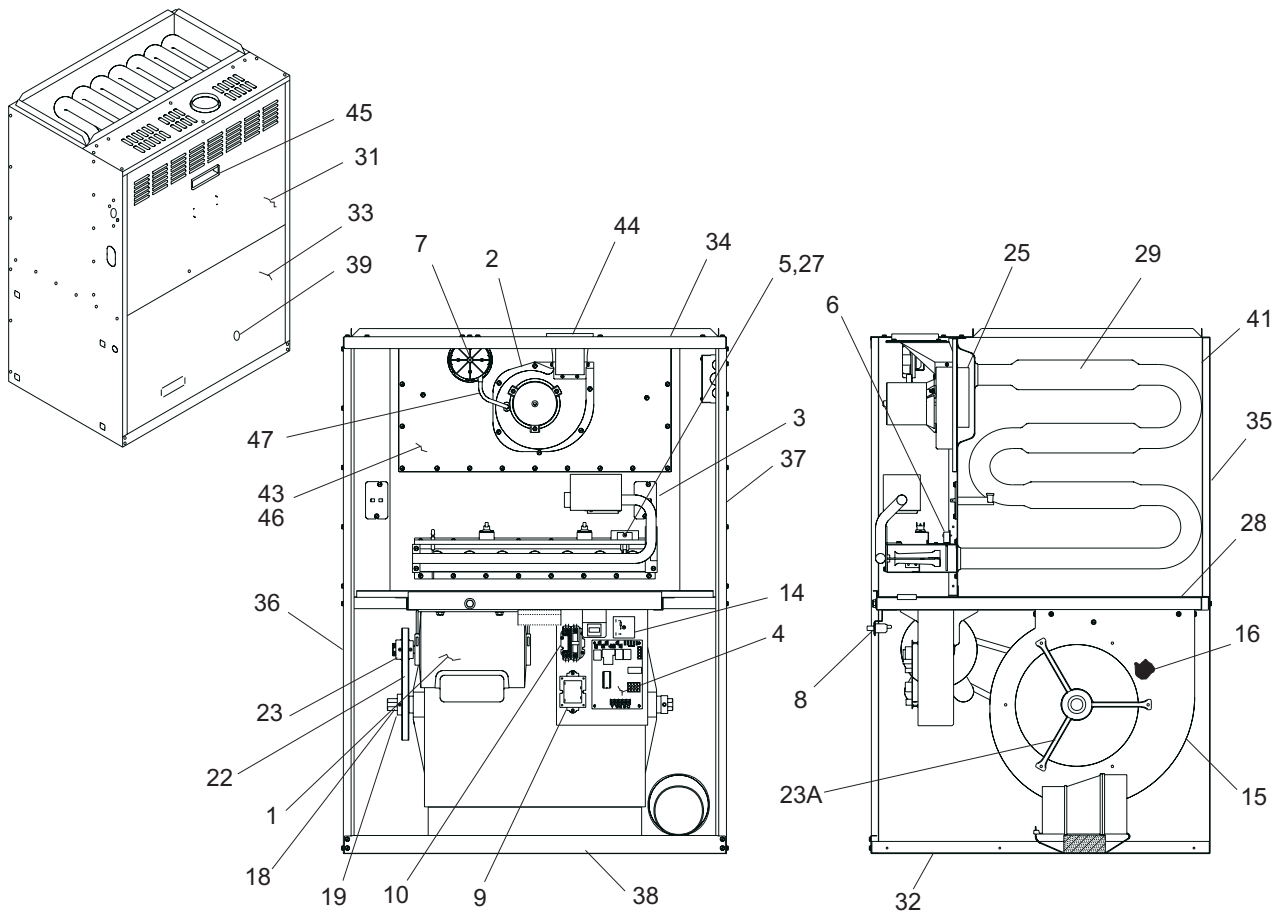


Figure 1: BELT DRIVEN UPFLOW/HORIZONTAL NATURAL GAS FURNACE (80%)

FIG	ITEM	DESCRIPTION	GY8S160E30UH21A	GY8S160E30UH21B
			(7 BURNER)	(7 BURNER)
MOTOR				
1	1	MOTOR, BELT DRIVEN BLOWER	024-25056-000	024-25056-000
1	2	MOTOR, VENTOR ASS'Y	024-32085-000	024-32085-000
ELECTRICAL				
1	3	CONTROL, HIGH LIMIT (2 Req'd)	025-29041-004	025-29041-004
1	4	CONTROL, FURNACE [FC]	031-01973-000	031-01973-000
1	5	IGNITER	025-32625-000	025-32625-000
1,2	6	SENSOR, FLAME	025-27773-000	025-27773-000
1	7	SWITCH, AIR PRESSURE [1LP]	024-35270-000	024-35270-000
1	8	SWITCH, DOOR	024-31943-000	024-31943-000
1	9	TRANSFORMER	025-30889-000	025-30889-000
1	10	CONTACTOR	024-25836-000	024-25836-000
2	11	VALVE, GAS	025-37426-000	025-37426-000
2	12	SWITCH, FLAME ROLL-OUT (2 Req'd, [ROS3,4])	025-27747-018	025-27747-018
2	13	CONTROL, FLAME ROLL OUT (2 Req'd, [ROS1,2])	025-27792-009	025-27792-009
*	13A	FUSE	025-32746-028	025-32746-028
1	14	RELAY, TIME DELAY	031-01912-000	031-01912-000

NOTE: *Not Shown

New replacement parts shown in **bold** face type at the first printing of parts list dated 9/06.

Major components and suggested stocking items are shown with shaded item number.

"<" Across from row indicates a change in that row.



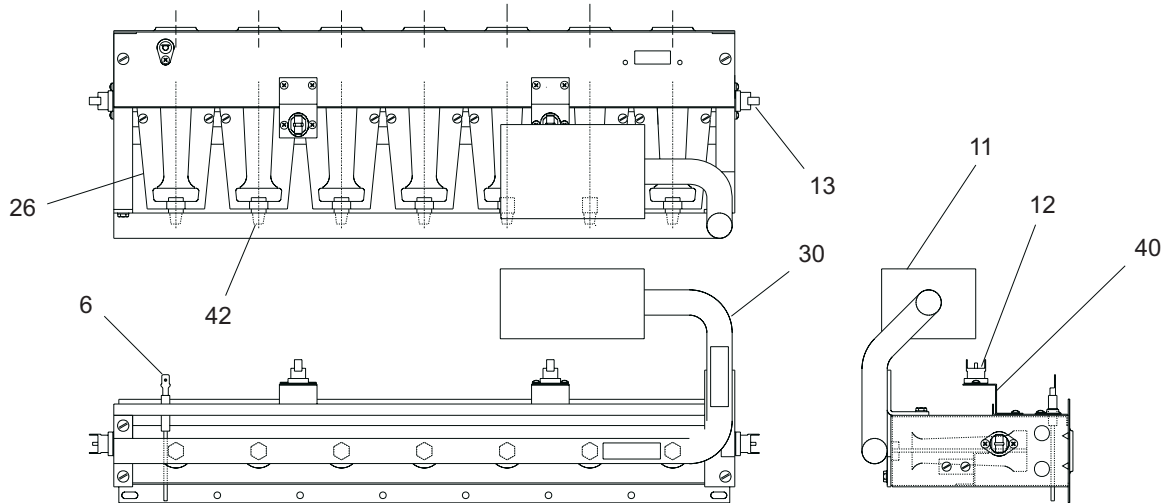


Figure 2: GAS CONTROLS

FIG.	ITEM	DESCRIPTION	GY8S160E30UH21A	GY8S160E30UH21B
			(7 BURNER)	(7 BURNER)
AIR MOVING				
1	15	HOUSING, BLOWER	373-22439-001	373-22439-001
1	16	WHEEL, BLOWER	026-23831-000	026-23831-000
*	17	CUTOFF, BLOWER	073-20777-000	073-20777-000
1	18	SHAFT, BLOWER	001-07131-000	029-24410-000
1	19	PULLEY, FIXED (Blower Wheel)	028-12359-000	028-15230-000
*	20	SPACER	023-21552-000	023-21552-000
*	21	BEARING, BALL (2 Req'd)	029-08623-000	029-08623-000
1	22	BELT, BLOWER	028-12422-000	028-12422-000
1	23	PULLEY, VARIABLE (Motor)	028-12361-000	028-12361-000
1	23A	SPIDER, BLOWER	026-39471-000	026-39471-000
FABRICATED PARTS				
*	24	SHIELD, SECONDARY AIR	073-17404-007	073-17404-007
1	25	BAFFLE, FLUE	073-17775-005	073-17775-005
2	26	BURNER, MAIN GAS	029-20482-000	029-20482-000
1	27	BRACKET, IGNITER	073-17403-000	073-17403-000
1	28	DECK, BLOWER (Rear)	073-22442-000	073-22442-000
*	28A	PANEL, BLOWER MOUNTING	073-22429-000	073-23756-001
1	29	HEAT EXCHANGER ASS'Y (Primary)	373-17519-007	373-17519-007
2	30	MANIFOLD, GAS	029-22114-006	029-22114-006
1	31	PANEL, UPPER ACCESS	073-19862-306	073-19862-306
1	32	PANEL, BASE	073-20756-001	073-20756-001
1	33	PANEL, BLOWER ACCESS	073-19862-307	073-19862-307
1	34	PANEL, TOP	073-19862-304	073-19862-304
1	35	WRAPPER, REAR	073-19862-303	073-19862-303
1	36	WRAPPER, CABINET (LH)	073-19862-302	073-19862-302
1	37	WRAPPER, CABINET (RH)	073-19862-301	073-19862-301
1	38	CHANNEL, TOE PLATE	073-19862-305	073-19862-305
1	39	PLUG, WINDOW, CLEAR - .875"	025-30899-000	025-30899-000
2	40	BRACKET, ROLL-OUT SWITCH	073-12033-000	073-12033-000
1	41	SHIELD, HEAT	073-20968-000	073-20968-000
*	42	BEZE;LOGO ASSEMBLY	373-23701-003	373-23701-003

NOTE: *Not Shown

New replacement parts shown in **bold** face type at the first printing of parts list code dated 9/06.

Major components and suggested stocking items are shown with shaded item number.

"<" Across from row indicates a change in that row.



FIG	ITEM	DESCRIPTION	GY8S160E30UH21A	GY8S160E30UH21B
			(7 BURNER)	(7 BURNER)
MISCELLANEOUS				
2	42	ORIFICE, BURNER (Natural #43)	029-21182-043	029-21182-043
1	43	PLATE, RESTRICTOR	073-17490-256	073-17490-256
1	44	COLLAR, FLUE	073-17507-000	073-17507-000
1	45	HANDLE, DOOR	028-14886-000	028-14886-000
1	46	GASKET, RESTRICTOR PLATE	028-13262-000	028-13262-000
1	47	TUBING, RUBBER	028-12499-000	028-12499-000
*	48	SPRING, DOOR (2 Req'd)	029-22119-000	029-22119-000
*	49	BRACKET, MOUNT MOTOR	373-20776-011	373-20776-011
*	50	DIAGRAM, WIRING	035-20386-002	035-20386002
*	51	COLLAR SHAFT	026-35505-000	026-35505-000
*	52	S27 KEYSTOCK 1-1/4" LG.	---	029-24409-000

NOTE: *Not Shown

New replacement parts shown in **bold** face type at the first printing of parts list dated 9/06.

Major components and suggested stocking items are shown with shaded item number

"<" Across from row indicates a change in that row.



Special Note: When some style A parts inventory is depleted you will be required to use the style B parts.

When changing the pulley (#19), shaft (#18) on a Style A furnace you will also need keystone (#52) and must also change the blower mounting panel (#28A) to a style B component.

TO ORDER AUTHORIZED FACTORY REPLACEMENT PARTS - Contact your Source1 HVAC Parts Distributor or visit our website at www.Source1Parts.com for a Distributor and Dealer listing.

Subject to change without notice. Printed in U.S.A.
Copyright © by York International/Johson Control Co. 2006. All rights reserved.

035-20706-001 Rev. D (0906)
Supersedes: 035-20706-001 Rev. C (0406)

**Unitary
Products
Group**

**5005
York
Drive**

**Norman
OK
73069**