



www.Source1Parts.com

HVAC SERVICE PARTS

EABA SERIES - 10 SEER 3PH HEAT PUMP- OUTDOOR UNIT (STYLE H)

Supersedes:035-20745-001 Rev. A (0805)

035-20745-001 Rev. B (0406)

1 of 4

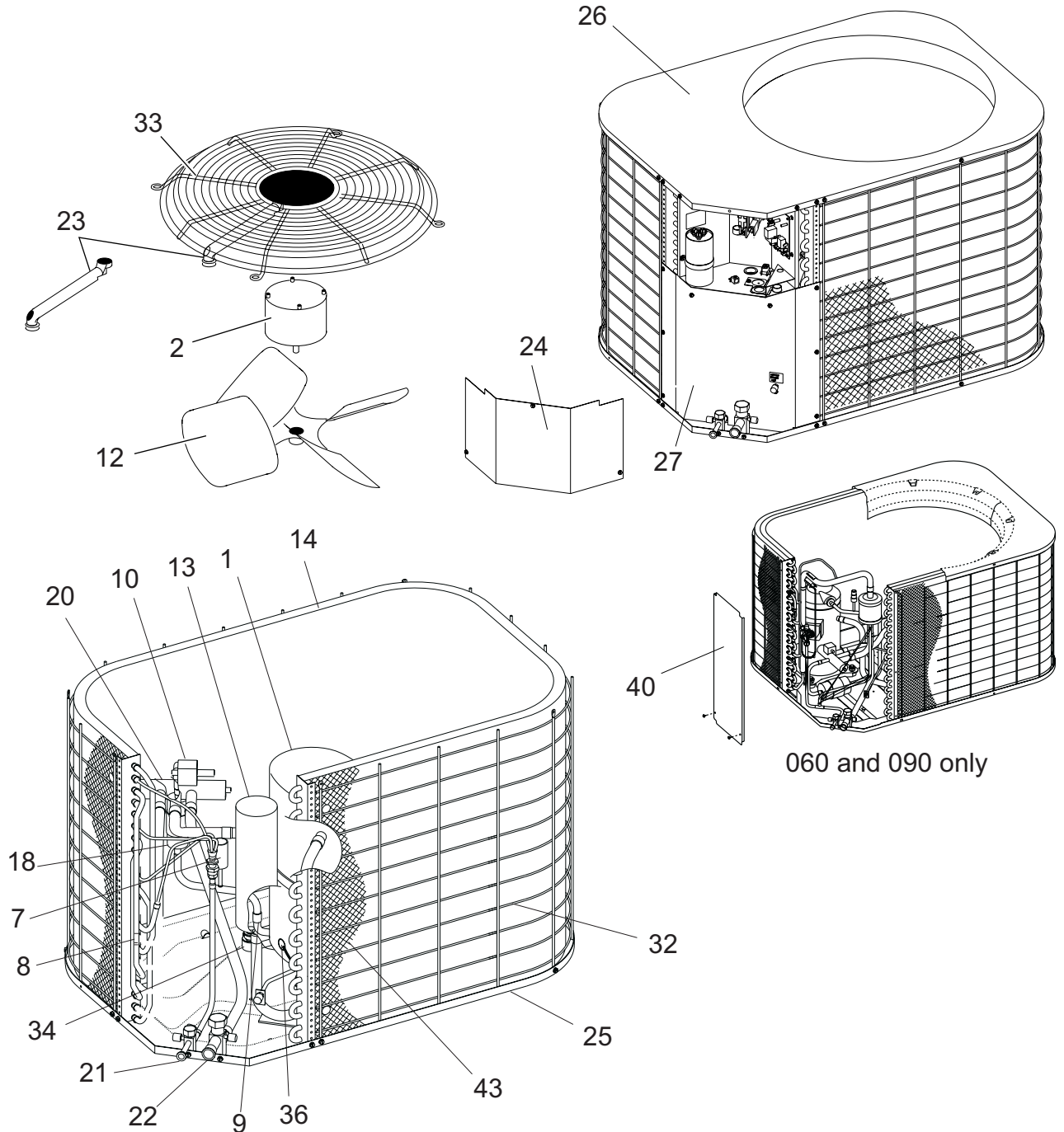


FIG. 1 - HEAT PUMP- OUTDOOR UNIT

Models 60 and 90 - Three Phase 208-230 Volt				
FIG	ITEM	DESCRIPTION	EABA-T060SH	EABA-T090SH
1	1	Compressor, Hermetic	015-02960-004	015-02923-004
*	1A	Harness, Compressor	---	---
1	2	Motor, Fan	024-27596-000	024-27622-000
2	3	Capacitor, Run (5MFD) [RC]	024-20043-000	---
		Capacitor, Run (15MFD) [RC]	---	024-25900-000
2	4	Switch, Limit (Heater)	---	---
2	5	Contact, Electrical (30 amp) [M]	024-25842-000	---
		Contact, Electrical (40 amp) [M]	---	024-25844-000
2	6	Control, Defrost	031-01954-000	031-01954-000
1	7	Control, High Pressure	025-33305-048	025-33305-048
*	7A	Control, Low Pressure	---	025-38889-001
1	8	Sensor, Liquid Replacement	025-31994-000	025-31994-000
1	9	Switch, High Temperature	---	025-31925-000
1	10	Coil, Solenoid	025-38948-000	---
2	11	Fan Relay	---	---
1	12	Blade, Fan (24")	026-35437-000	026-35492-000
1	13	Accumulator	026-34090-000	026-25573-007
1	14	Outdoor Coil Assembly	373-23759-004	373-23759-002
2	15	Distributor (.067 Orifice)	022-09010-667	---
		Distributor Assembly	---	025-33381-000
	16			
*	17	Valve, Check	---	022-08938-000
1	18	Filter Drier	026-34506-000	026-35458-000
	19			
1	20	Valve, Reversing	025-38947-000	025-33379-001
1	21	Valve, Liquid (3/8")	025-31899-000	---
		Valve, Liquid (1/2")	---	023-18362-000
1	22	Valve, Suction (3/4")	---	---
		Valve, Suction (7/8")	025-31901-000	---
		Valve, Suction (1 1/8")	---	023-18363-000
1	23	Wireway (Electrical Channel)	028-13297-000	028-13297-000
1	24	Cover, Electric Box	073-20018-001	073-20018-001
1	25	Base, Pan	073-19001-500	073-19001-500
1	26	Panel, Top	073-23757-001	073-23757-001
1	27	Plate, Block-Off	073-20002-801	073-20002-803
*	28	Indoor Orifice (.099) (See Note 1)	029-19387-020	---
	29			
2	30	Ground Lug	025-21798-000	025-21798-000
2	31	Strain Relief	1216-243	1216-243
1	32	Guard, Coil	373-23760-003	373-23760-001
1	33	Guard, Fan	026-35511-824	026-35511-824
1	34	Isolator, Compressor (Pkg. of 4)	---	---
		Isolator, Compressor (4 Req'd)	028-12355-000	028-12355-000
2	35	Electrical Plug	025-33306-006	025-33306-006
1	36	Crankcase Heater	---	---
*	37	Diagram, Wiring	035-15802-003	035-15842-003
*	38	Kit, Motor Mouting (Acorn Nuts)	363-90117-700	363-90117-700
*	39	Assembly, Orifice	---	---
1	40	Panel, Filler	073-23758-003	073-23758-001
2	41	Transformer	---	025-30376-000
*	42	Valve, Expansion	---	025-33380-000
1	43	Mesh, Coil Guard	028-14729-000	028-14732-000
*	44	Fastener, Push-in (4 Req'd)	---	---
		Fastener, Push-in (6 Req'd)	021-18381-000	021-18381-000

NOTE: *Not Shown

New replacement parts shown in **bold** face type at the first printing of parts list dated 4/06.

Major components and suggested stocking items are shown with shaded item number.

"<" Across from row indicates a change in that row.

--- Not applicable to specified model.

1 Refer to Tech Guide for proper selection of orifice.



Models 60 and 90 - Three Phase 460 Volt				
FIG	ITEM	DESCRIPTION	EABA-W060SH	EABA-W090SH
1	1	Compressor, Hermetic	015-02961-004	015-02924-004
*	1A	Harness, Compressor	---	373-19097-550
1	2	Motor, Fan	024-27534-000	024-27623-000
2	3	Capacitor, Run (5MFD) [RC]	024-20043-000	
		Capacitor, Run (15MFD) [RC]	---	024-25900-000
2	4	Switch, Limit (Heater)	---	---
2	5	Contact, Electrical (30 amp) [M]	024-25842-000	---
		Contact, Electrical (40 amp) [M]	---	024-25844-000
2	6	Control, Defrost	031-01954-000	031-01954-000
1	7	Control, Pressure	025-33305-048	025-33305-048
*	7A	Control, Low Pressure	---	025-38889-001
1	8	Sensor, Liquid Replacement	025-31994-000	025-31994-000
1	9	Switch, High Temperature	---	025-31925-000
1	10	Coil, Solenoid	025-38948-000	---
2	11	Fan Relay	1460-5101	1460-5101
1	12	Blade, Fan (18")	---	---
		Blade, Fan (22")	---	---
		Blade, Fan (24")	026-35437-000	026-35492-000
1	13	Accumulator	026-34090-000	026-25573-007
1	14	Outdoor Coil Assembly	373-23759-010	373-23759-002
2	15	Distributor (.067 Orifice)	022-09010-667	---
		Distributor Assembly	---	025-33381-000
	16			
*	17	Valve, Check	---	022-08938-000
1	18	Filter Drier	026-34506-000	026-35458-000
	19			
1	20	Valve, Reversing	025-38947-000	025-33379-001
1	21	Valve, Liquid (3/8")	025-31899-000	---
		Valve, Liquid (3/8")	---	023-18362-000
1	22	Valve, Suction (3/4")	---	---
		Valve, Suction (7/8")	025-31901-000	---
		Valve, Suction (1 1/8")	---	023-18363-000
1	23	Wireway (Electrical Channel)	028-13297-000	028-13297-000
1	24	Cover, Electric Box	073-20018-001	073-20018-001
1	25	Base, Pan	073-19001-500	073-19001-500
1	26	Panel, Top	073-23757-001	073-23757-001
1	27	Plate, Block-Off	073-20002-801	073-20002-803
*	28	Indoor Orifice (See Note 1)	---	---
	29			
2	30	Ground Lug	025-21798-000	025-21798-000
2	31	Strain Relief	1216-243	1216-243
1	32	Guard, Coil	373-23760-003	373-23760-001
1	33	Guard, Fan	026-35511-824	026-35511-824
1	34	Isolator, Compressor (Pkg. of 4)	---	---
		Isolator, Compressor (4 Req'd)	028-12355-000	028-12355-000
2	35	Electrical Plug	025-33306-006	025-33306-006
1	36	Crankcase Heater	---	---
*	37	Diagram, Wiring	035-15802-003	035-15842-003
*	38	Kit, Motor Mounting (Acorn Nuts)	363-90117-700	363-90117-700
*	39	Assembly, Orifice	---	---
1	40	Panel, Filler	073-23758-003	073-23758-001
2	41	Transformer	---	025-30377-000
*	42	Valve, Expansion	---	025-33380-000
1	43	Mesh, Coil Guard	028-14729-000	028-14732-000
*	44	Fastener, Push-in (4 Req'd)	---	---
		Fastener, Push-in (6 Req'd)	021-18381-000	021-18381-000

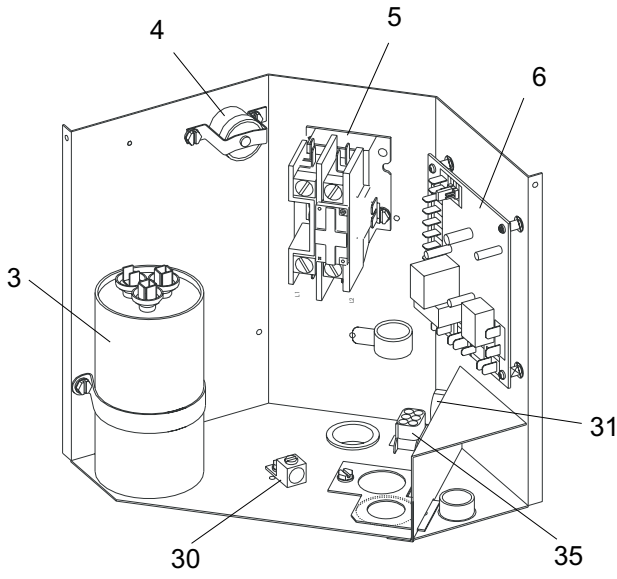
NOTE: *Not ShownNew replacement parts shown in **bold** face type at the first printing of parts list dated 4/06.

Major components and suggested stocking items are shown with shaded item number.

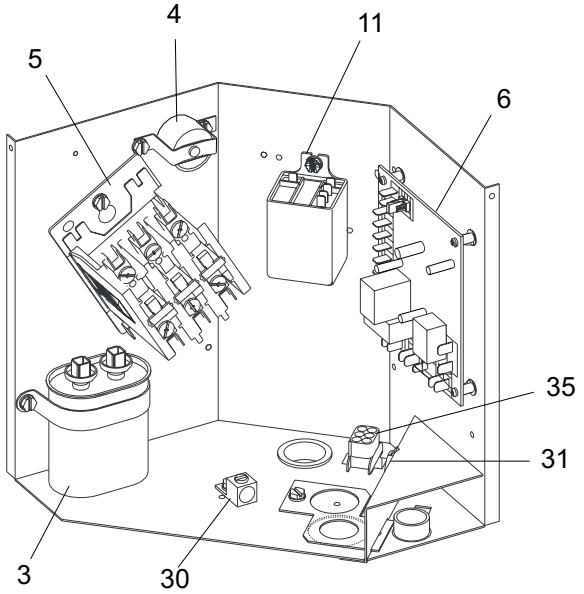
"←" Across from row indicates a change in that row.

--- Not applicable to specified model.

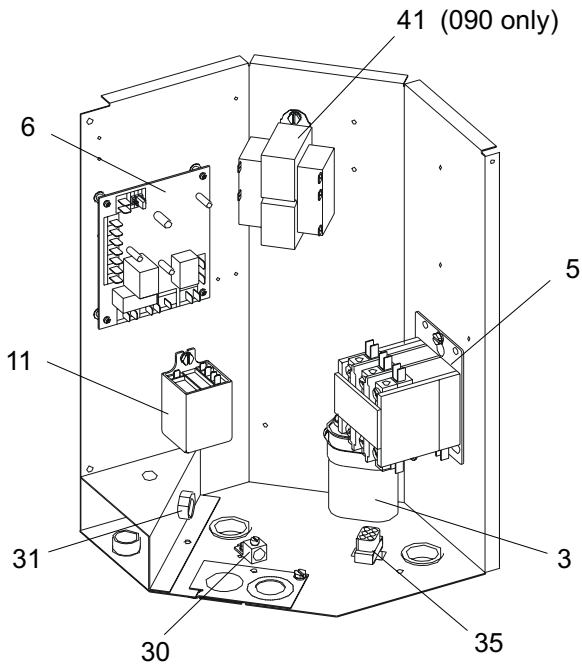
1 Refer to Tech Guide for proper selection of orifice.



208-230 VOLT SINGLE PHASE



208-230 VOLT THREE PHASE



460 VOLT THREE PHASE

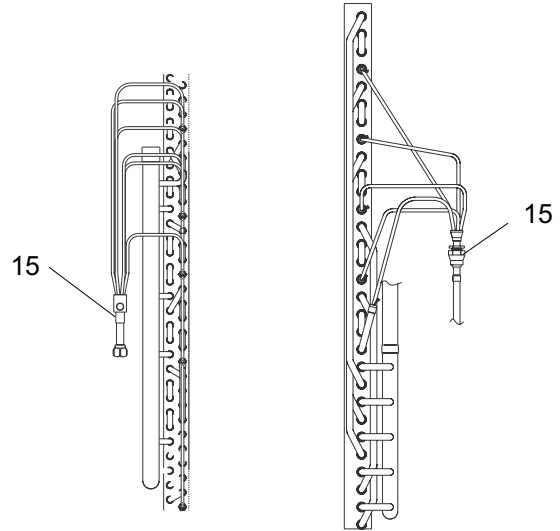


FIG.2 - CONTROLS AND LIQUID ASSEMBLY