



www.Source1Parts.com

UC SERIES UNCASED COIL R22 TXV AND FLEX COIL MODELS (STYLE A & B)

HVAC SERVICE PARTS

Supersedes: 035-20800-001 Rev. B (0506)

035-20800-001 Rev. C (1008)

1 of 2

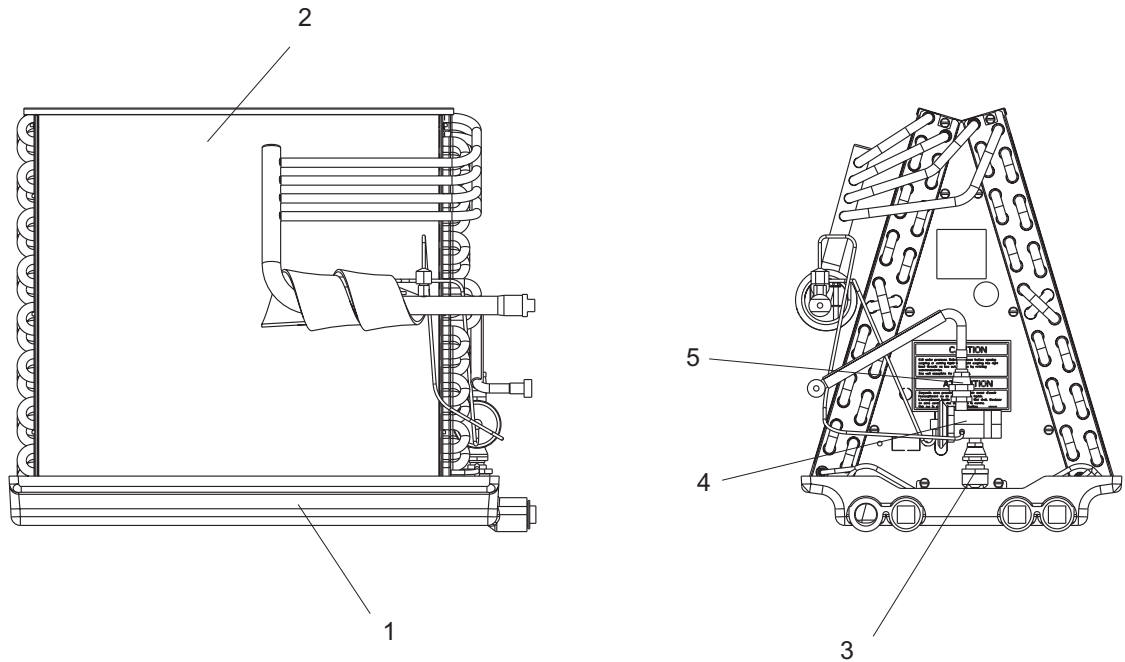


Figure 1 : UNCASED COILS-R-22 TXV MODELS

ITEM	DESCRIPTION	UC18A2AN1A	UC18B2AN1A	UC24A2AN1A	UC24B2AN1A
1	Drain Pan	S1-37323850004	S1-37323850005	S1-37323850004	S1-37323850005
2	Indoor Coil	REPLACE ENTIRE UC UNIT			
3	Distributor	S1-02209089000	S1-02209089000	S1-02209089000	S1-02209089000
4	TXV	S1-1TVM2A1	S1-1TVM2A1	S1-1TVM2A1	S1-1TVM2A1
5	Field Connector	S1-02531890001	S1-02531890-001	S1-02531890001	S1-02531890-001

ITEM	DESCRIPTION	UC30A2AN1A	UC30B2AN1A	UC36A2AN1A	UC36B2AN1A
1	Drain Pan	S1-37323850004	S1-37323850005	S1-37323850004	S1-37323850005
2	Indoor Coil	REPLACE ENTIRE UC UNIT			
3	Distributor	S1-02209089000	S1-02209089000	S1-02209088000	S1-02209088000
4	TXV	S1-1TVM2A1	S1-1TVM2A1	S1-1TVM2A1	S1-1TVM2A1
5	Field Connector	S1-02531890001	S1-02531890-001	S1-02531890001	S1-02531890-001

ITEM	DESCRIPTION	UC36C2AN1A	UC42B2CN1A	UC42C2CN1A	UC48C2CN1A
1	Drain Pan	S1-37323850006	S1-37323850005	S1-37323850006	S1-37323850006
2	Indoor Coil	REPLACE ENTIRE UC UNIT			
3	Distributor	S1-02209088000	S1-02209088000	S1-02209088000	S1-02209085000
4	TXV	S1-1TVM2A1	S1-1TVM2C1	S1-1TVM2C1	S1-1TVM2C1
5	Field Connector	S1-02531890001	S1-02531890001	S1-02531890001	S1-02531890001

ITEM	DESCRIPTION	UC48D2CN1A	UC60C2CN1A	UC60C2CN1B	UC60D2CN1A	UC60D2CN1B
1	Drain Pan	S1-37323850007	S1-37323850006	S1-37323850006	S1-37323850007	S1-37323850007
2	Indoor Coil	REPLACE ENTIRE UC UNIT				
3	Distributor	S1-02209085000	S1-02209085000	S1-02541001000	S1-02209085000	S1-02541001000
4	TXV	S1-1TVM2C1	S1-1TVM2C1	S1-1TVM2C1	S1-1TVM2C1	S1-1TVM2C1
5	Field Connector	S1-02531890001	S1-02531890001	S1-02531890001	S1-02531890001	S1-02531890001

NOTE: *Not Shown
 New replacement parts shown in **bold** face type at the first printing of parts list dated 10/08.
 Major components and suggested stocking items are shown with shaded item number.
 "<" Across from row indicates a change in that row.
 --- Not applicable to specified model.



Figure 1: UNCASSED COIL - FLEX COIL MODELS

ITEM	DESCRIPTION	UC18A3XN1A	UC18B3XN1A	UC24A3XN1A	UC24B3XN1A	
1	Drain Pan	S1-37323850004	S1-37323850005	S1-37323850004	S1-37323850005	
2	Indoor Coil	REPLACE ENTIRE UC UNIT				
3	Distributor	S1-02209089000	S1-02209089000	S1-02209089000	S1-02209089000	
4						
5	Field Connector	S1-02531890001	S1-02531890-001	S1-02531890001	S1-02531890-001	
6*	Distributor Cap	S1-02322438000	S1-02322438000	S1-02322438000	S1-02322438000	<

ITEM	DESCRIPTION	UC30A3XN1A	UC30B3XN1A	UC36A3XN1A	UC36B3XN1A	
1	Drain Pan	S1-37323850004	S1-37323850005	S1-37323850004	S1-37323850005	
2	Indoor Coil	REPLACE ENTIRE UC UNIT				
3	Distributor	S1-02209089000	S1-02209089000	S1-02209088000	S1-02209088000	
4						
5	Field Connector	S1-02531890001	S1-02531890-001	S1-02531890001	S1-02531890-001	
6*	Distributor Cap	S1-02322438000	S1-02322438000	S1-02322438000	S1-02322438000	<

ITEM	DESCRIPTION	UC36C3XN1A	UC42B3XN1A	UC42C3XN1A	UC48C3XN1A	
1	Drain Pan	S1-37323850006	S1-37323850005	S1-37323850006	S1-37323850006	
2	Indoor Coil	REPLACE ENTIRE UC UNIT				
3	Distributor	S1-02209088000	S1-02209088000	S1-02209088000	S1-02209085000	
4						<
5	Field Connector	S1-02531890001	S1-02531890001	S1-02531890001	S1-02531890001	
6*	Distributor Cap	S1-02322438000	S1-02322438000	S1-02322438000	S1-02322438000	<

ITEM	DESCRIPTION	UC48D3XN1A	UC60C3XN1A	UC60C3XN1B	UC60D3XN1A	UC60D3XN1B	
1	Drain Pan	S1-37323850007	S1-37323850006	S1-37323850006	S1-37323850007	S1-37323850007	<
2	Indoor Coil	REPLACE ENTIRE UC UNIT					
3	Distributor	S1-02209085000	S1-02209085000	S1-02541001000	S1-02209085000	S1-02541001000	
4							<
5	Field Connector	S1-02531890001	S1-02531890001	S1-02531890001	S1-02531890001	S1-02531890001	
6*	Distributor Cap	S1-02322438000	S1-02322438000	S1-02322438000	S1-02322438000	S1-02322438000	<

NOTE: *Not ShownNew replacement parts shown in **bold** face type at the first printing of parts list dated 10/08.

Major components and suggested stocking items are shown with shaded item number.

“<” Across from row indicates a change in that row.

--- Not applicable to specified model.

TO ORDER AUTHORIZED FACTORY REPLACEMENT PARTS - Contact your Source1 HVAC Parts Distributor or visit our website at www.Source1Parts.com for a Distributor and Dealer listing.