



www.Source1Parts.com

PC SERIES PARTIAL CASED COILS (STYLE A & B) R-22 TXV AND FLEX COIL MODELS

HVAC SERVICE PARTS

Supersedes: 035-20801-001 Rev. H (0408)

035-20801-001 Rev. J (0708)

1 of 4

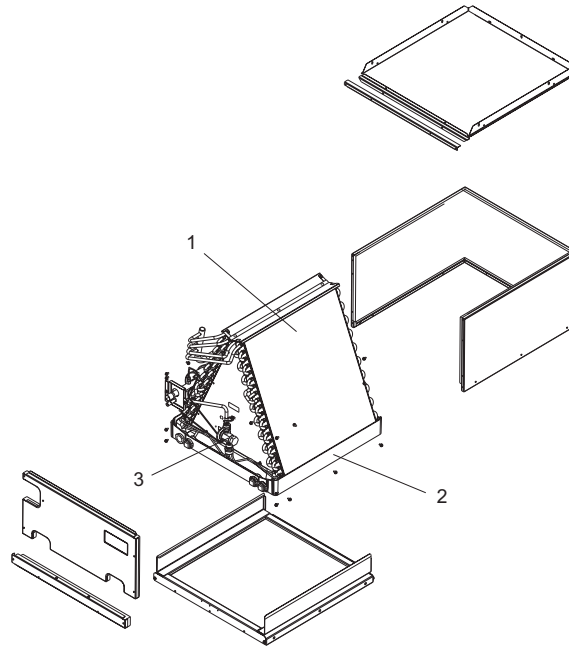


Figure 1 : PARTIAL CASED COILS - R-22 TXV

ITEM	DESCRIPTION	PC18A2AN1A	PC18B2AN1A	PC24A2AN1A	PC24A2AN1B	PC24B2AN1A
1	COIL W/DRAIN PAN (See Note 1)	S1-37323793034	S1-37323793010	S1-37323793034	S1-37323793012	S1-37323793010
2	TXV	S1-1TVM2A1	S1-1TVM2A1	S1-1TVM2A1	S1-1TVM2A1	S1-1TVM2A1
3	DRAIN PAN W/INSULATION	S1-37323794004	S1-37323794005	S1-37323794004	S1-37323794004	S1-37323794005
4*	COVER, HAIRPIN	S1-03100205000	S1-03100205000	S1-03100205000	S1-03100207000	S1-03100205000
5*	GROMMET, 3/8"	S1-02813209000	S1-02813209000	S1-02813209000	S1-02813209000	S1-02813209000
6*	GROMMET, 3/4"	S1-02813204000	S1-02813204000	S1-02813204000	S1-02813204000	S1-02813204000
7*	DISTRIBUTOR	S1-02209089000	S1-02209089000	S1-02209089000	S1-02209089000	S1-02209089000
8*	FIELD CONNECTOR	S1-02531890001	S1-02531890001	S1-02531890001	S1-02531890001	S1-02531890001
9						
10*	LIQUID LINE	S1-02321571000	S1-02321572000	S1-02321571000	S1-02321571000	S1-02321572000

ITEM	DESCRIPTION	PC24B2AN1B	PC30A2AN1A	PC30B2AN1A	PC32A2AN1A	PC35B2AN1A
1	COIL W/DRAIN PAN (See Note 1)	S1-37323793013	S1-37323793012	S1-37323793013	S1-37323899002	S1-37323793001
2	TXV	S1-1TVM2A1	S1-1TVM2A1	S1-1TVM2A1	S1-1TVM2A1	S1-1TVM2A1
3	DRAIN PAN W/INSULATION	S1-37323794005	S1-37323794004	S1-37323794005	S1-37323899102	S1-37323794001
4*	COVER, HAIRPIN	S1-03100207000	S1-03100207000	S1-03100207000	S1-03100209000	S1-03100207000
5*	GROMMET, 3/8"	S1-02813209000	S1-02813209000	S1-02813209000	S1-02813209000	S1-02813209000
6*	GROMMET, 3/4"	S1-02813204000	S1-02813204000	S1-02813204000	S1-02813204000	S1-02813204000
7*	DISTRIBUTOR	S1-02209089000	S1-02209089000	S1-02209089000	S1-02209083000	S1-02209083000
8*	FIELD CONNECTOR	S1-02531890001	S1-02531890001	S1-02531890001	S1-02531890001	S1-02531890001
9						
10*	LIQUID LINE	S1-02321572000	S1-02321571000	S1-02321572000	S1-02321571000	S1-02321572000

ITEM	DESCRIPTION	PC35C2AN1A	PC36A2AN1A	PC36B2AN1A	PC36C2AN1A	PC37A2AN1A
1	COIL W/DRAIN PAN (See Note 1)	S1-37323865001	S1-37323793015	S1-37323793016	S1-37323793008	S1-37323899004
2	TXV	S1-1TVM2A1	S1-1TVM2A1	S1-1TVM2A1	S1-1TVM2A1	S1-1TVM2A1
3	DRAIN PAN W/INSULATION	S1-37323794002	S1-37323794004	S1-37323794005	S1-37323794002	S1-37323899102
4*	COVER, HAIRPIN	S1-03100209000	S1-03100208000	S1-03100208000	S1-03100208000	S1-03100210000
5*	GROMMET, 3/8"	S1-02813209000	S1-02813209000	S1-02813209000	S1-02813209000	S1-02813209000
6*	GROMMET, 5/8"	---	---	---	---	S1-02813203000
	GROMMET, 3/4"	S1-02813204000	---	---	---	---
	GROMMET, 7/8"	---	S1-02813205000	S1-02813205000	S1-02813205000	---
7*	DISTRIBUTOR	S1-02209083000	S1-02209089000	S1-02209089000	S1-02209087000	S1-02209090000
8*	FIELD CONNECTOR	S1-02531890001	S1-02531890001	S1-02531890001	S1-02531890001	S1-02531890001
9						
10*	LIQUID LINE	S1-02321573000	S1-02321571000	S1-02321572000	S1-02321573000	S1-02321571000

ITEM	DESCRIPTION	PC42B2CN1A	PC42C2CN1A	PC43B2CN1A	PC43C2CN1A	PC48C2CN1A
1	COIL W/DRAIN PAN (See Note 1)	S1-37323793014	S1-37323793009	S1-37323899003	S1-37323793002	S1-37323793003
2	TXV	S1-1TVM2C1	S1-1TVM2C1	S1-1TVM2C1	S1-1TVM2C1	S1-1TVM2C1
3	DRAIN PAN W/INSULATION	S1-37323794005	S1-37323794002	S1-37323794001	S1-37323794002	S1-37323794002
4*	COVER, HAIRPIN	S1-03109416000	S1-03109416000	S1-03100210000	S1-03100210000	S1-03100211000
5*	GROMMET, 3/8"	S1-02813209000	S1-02813209000	S1-02813209000	S1-02813209000	S1-02813209000
6*	GROMMET, 7/8"	S1-02813205000	S1-02813205000	S1-02813205000	S1-02813205000	S1-02813205000
7*	DISTRIBUTOR	S1-02209088000	S1-02209088000	S1-02209083000	S1-02209083000	S1-02209083000
8*	FIELD CONNECTOR	S1-02531890001	S1-02531890001	S1-02531890001	S1-02531890001	S1-02531890001
9						
10*	LIQUID LINE	S1-02321572000	S1-02321573000	S1-02321572000	S1-02321573000	S1-02321573000

ITEM	DESCRIPTION	PC48D2CN1A	PC60C2CN1A	PC60C2CN1B	PC60D2CN1A	PC60D2CN1B
1	COIL W/DRAIN PAN (See Note 1)	S1-37323793004	S1-37323793005	S1-37323793105	S1-37323793006	S1-37323793106
2	TXV	S1-1TVM2C1	S1-1TVM2C1	S1-1TVM2C1	S1-1TVM2C1	S1-1TVM2C1
3	DRAIN PAN W/INSULATION	S1-37323794003	S1-37323794002	S1-37323794002	S1-37323794003	S1-37323794003
4*	COVER, HAIRPIN	S1-03100211000	S1-03100212000	S1-03100212000	S1-03100212000	S1-03100212000
5*	GROMMET, 3/8"	S1-02813209000	S1-02813209000	S1-02813209000	S1-02813209000	S1-02813209000
6*	GROMMET, 7/8"	S1-02813205000	S1-02813205000	S1-02813205000	S1-02813205000	S1-02813205000
7*	DISTRIBUTOR	S1-02209084000	S1-02209085000	S1-02541001000	S1-02209085000	S1-02541001000
8*	FIELD CONNECTOR	S1-02531890001	S1-02531890001	S1-02531890001	S1-0253189001	S1-0253189001
9						
10*	LIQUID LINE	S1-02321574000	S1-02321573000	S1-02322441000	S1-02321574000	S1-02322442000

NOTE: *Not Shown
 New replacement parts shown in **bold** face type at the first printing of parts list dated 708.
 Major components and suggested stocking items are shown with shaded item number.
 "<" Across from row indicates a change in that row.
 --- Not applicable to specified model.
 1 Service Coil does not include TXV.

Figure 1: PARTIAL CASED COILS - FLEX COIL

ITEM	DESCRIPTION	PC18A3XN1A	PC18B3XN1A	PC24A3XN1A	PC24A3XN1B	PC24B3XN1A
1	COIL W/DRAIN PAN	S1-37323793034	S1-37323793010	S1-37323793012	S1-37323793012	S1-37323793013
2						
3	DRAIN PAN W/INSULATION	S1-37323794004	S1-37323794005	S1-37323794004	S1-37323794004	S1-37323794005
4*	COVER, HAIRPIN	S1-03100205000	S1-03100205000	S1-03100205000	S1-03100205000	S1-03100205000
5*	GROMMET, 3/8"	S1-02813209000	S1-02813209000	S1-02813209000	S1-02813209000	S1-02813209000
6*	GROMMET, 3/4"	S1-02813204000	S1-02813205000	S1-02813204000	S1-02813204000	S1-02813204000
7*	DISTRIBUTOR	S1-02209089000	S1-02209089000	S1-02209089000	S1-02209089000	S1-02209089000
8*	FIELD CONNECTOR	S1-02531890001	S1-02531890001	S1-02531890001	S1-02531890001	S1-02531890001
9*	PLASTIC DISTRIBUTOR CAP	S1-02322438001	S1-02322438001	S1-02322438001	S1-02322438001	S1-02322438001
10*	LIQUID LINE	S1-02321571000	S1-02321572000	S1-02321571000	S1-02321571000	S1-02321572000

ITEM	DESCRIPTION	PC24B3XN1B	PC30A3XN1A	PC30B3XN1A	PC32A3XN1A	PC35B3XN1A
1	COIL W/DRAIN PAN	S1-37323793013	S1-37323793012	S1-37323793013	S1-37323899002	S1-37323793001
2						
3	DRAIN PAN W/INSULATION	S1-37323794005	S1-37323794004	S1-37323794005	S1-37323899102	S1-37323794001
4*	COVER, HAIRPIN	S1-03100205000	S1-03100205000	S1-03100205000	S1-03100209000	S1-03100209000
5*	GROMMET, 3/8"	S1-02813209000	S1-02813209000	S1-02813209000	S1-02813209000	S1-02813209000
6*	GROMMET, 3/4"	S1-02813204000	S1-02813204000	S1-02813204000	S1-02813204000	S1-02813204000
7*	DISTRIBUTOR	S1-02209089000	S1-02209089000	S1-02209089000	S1-02209083000	S1-02209083000
8*	FIELD CONNECTOR	S1-02531890001	S1-02531890001	S1-02531890001	S1-02531890001	S1-02531890001
9*	PLASTIC DISTRIBUTOR CAP	S1-02322438001	S1-02322438001	S1-02322438001	S1-02322438001	S1-02322438001
10*	LIQUID LINE	S1-02321572000	S1-02321571000	S1-02321572000	S1-02321571000	S1-02321572000

Figure 1: PARTIAL CASED COILS - FLEX COIL

ITEM	DESCRIPTION	PC35C3XN1A	PC36A3XN1A	PC36B3XN1A	PC36C3XN1A	PC37A3XN1A
1	COIL W/DRAIN PAN	S1-37323865001	S1-37323793015	S1-37323793016	S1-37323793008	S1-37323899004
2						
3	DRAIN PAN W/INSULATION	S1-37323794002	S1-37323794004	S1-37323794005	S1-37323794002	S1-37323899102
4*	COVER, HAIRPIN	S1-03100209000	S1-03100208000	S1-03100208000	S1-03100208000	S1-03100210000
5*	GROMMET, 3/8"	S1-02813209000	S1-02813209000	S1-02813209000	S1-02813209000	S1-02813209000
6*	GROMMET, 3/4"	S1-02813204000	S1-02813204000	---	---	---
	GROMMET, 7/8"	---	---	S1-02813205000	S1-02813205000	S1-02813205000
7*	DISTRIBUTOR	S1-02209083000	S1-02209089000	S1-02209089000	S1-02209087000	S1-02209083000
8*	FIELD CONNECTOR	S1-02531890001	S1-02531890001	S1-02531890001	S1-02531890001	S1-02531890001
9*	PLASTIC DISTRIBUTOR CAP	S1-02322438001	S1-02322438001	S1-02322438001	S1-02322438001	S1-02322438001
10*	LIQUID LINE	S1-02321573000	S1-02321571000	S1-02321572000	S1-02321573000	S1-02321571000

ITEM	DESCRIPTION	PC42B3XN1A	PC42C3XN1A	PC43B3XN1A	PC43C3XN1A	PC48C3XN1A
1	COIL W/DRAIN PAN	S1-37323793014	S1-37323793009	S1-37323899003	S1-37323793002	S1-37323793003
2						
3	DRAIN PAN W/INSULATION	S1-37323794005	S1-37323794002	S1-37323794001	S1-37323794002	S1-37323794002
4*	COVER, HAIRPIN	S1-03109416000	S1-03109416000	S1-03100209000	S1-03100210000	S1-03100211000
5*	GROMMET, 3/8"	S1-02813209000	S1-02813209000	S1-02813209000	S1-02813209000	S1-02813209000
6*	GROMMET, 7/8"	S1-02813205000	S1-02813205000	S1-02813205000	S1-02813205000	S1-02813205000
7*	DISTRIBUTOR	S1-02209088000	S1-02209088000	S1-02209083000	S1-02209083000	S1-02209083000
8*	FIELD CONNECTOR	S1-02531890001	S1-02531890001	S1-02531890001	S1-02531890001	S1-02531890001
9*	PLASTIC DISTRIBUTOR CAP	S1-02322438001	S1-02322438001	S1-02322438001	S1-02322438001	S1-02322438001
10*	LIQUID LINE	S1-02321572000	S1-02321573000	S1-02321572000	S1-02321573000	S1-02321573000

ITEM	DESCRIPTION	PC48D3XN1A	PC60C3XN1A	PC60C3XN1B	PC60D3XN1A	PC60D3XN1B
1	COIL W/DRAIN PAN	S1-37323793004	S1-37323793005	S1-37323793105	S1-37323793006	S1-37323793106
2						
3	DRAIN PAN W/INSULATION	S1-37323794003	S1-37323794002	S1-37323794002	S1-37323794003	S1-37323794003
4*	COVER, HAIRPIN	S1-03100211000	S1-03100212000	S1-03100212000	S1-03100212000	S1-03100212000
5*	GROMMET, 3/8"	S1-02813209000	S1-02813209000	S1-02813209000	S1-02813209000	S1-02813209000
6*	GROMMET, 7/8"	S1-02813205000	S1-02813205000	S1-02813205000	S1-02813205000	S1-02813205000
7*	DISTRIBUTOR	S1-02209084000	S1-02209085000	S1-02541001000	S1-02209085000	S1-02541001000
8*	FIELD CONNECTOR	S1-02531890001	S1-02531890001	S1-02531890001	S1-02531890001	S1-02531890001
9*	PLASTIC DISTRIBUTOR CAP	S1-02322438001	S1-02322438001	S1-02322438001	S1-02322438001	S1-02322438001
10*	LIQUID LINE	S1-02321574000	S1-02321573000	S1-02322441000	S1-02321574000	S1-02322442000

NOTE: *Not ShownNew replacement parts shown in **bold** face type at the first printing of parts list dated 7/08.

Major components and suggested stocking items are shown with shaded item number.

"←" Across from row indicates a change in that row.

--- Not applicable to specified model.

TO ORDER AUTHORIZED FACTORY REPLACEMENT PARTS - Contact your Source1 HVAC Parts Distributor or visit our website at **www.Source1Parts.com** for a Distributor and Dealer listing.

Subject to change without notice. Printed in U.S.A.
Copyright © July 22, 2008 by Johnson Controls, Inc. All rights reserved.

035-20801-001 Rev. J (0708)
Supersedes: 035-20801-001 Rev. H (0408)

Johnson Controls Unitary Products
5005 York Drive
Norman, OK 73069