



www.Source1Parts.com

MC SERIES (STYLE A & B) MULTI-POSITION COIL W/HORIZONTAL PAN R-22 TXV AND FLEX COIL MODELS

HVAC SERVICE PARTS

Supersedes: 035-20827-001 Rev. G (0408)

035-20827-001 Rev. H (1108)

1 of 4

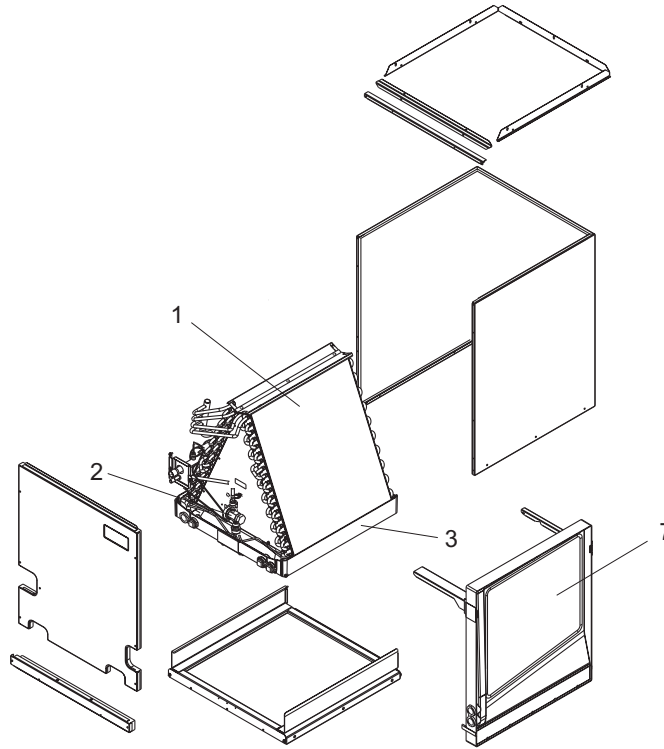


Figure 1 : MULT-POSITION COIL W/HORIZONTAL PAN - R22 TXV

FIG	ITEM	DESCRIPTION	MC18A2AH1A	MC18B2AH1A	MC24A2AH1A	MC24A2AH1B
1	1	COIL W/DRAIN PAN(See Note 1)	S1-37323793034	S1-37323793010	S1-3732379034	S1-37323793012
1	2	TXV	S1-1TVM2A1	S1-1TVM2A1	S1-1TVM2A1	S1-1TVM2A1
1	3	DRAIN PAN W/INSULATION	S1-37323794004	S1-37323794005	S1-37323794004	S1-37323794004
*	4	GROMMET, 3/4"	S1-02813204000	S1-02813204000	S1-02813204000	S1-02813204000
*	5	GROMMET, 3/8"	S1-02813209000	S1-02813209000	S1-02813209000	S1-02813209000
*	6	COVER, HAIRPIN (2 Req'd)	S1-03100205000	S1-03100205000	S1-03100205000	S1-03100207000
1	7	DRAIN PAN (Horizontal)	S1-03200215000	S1-03200215000	S1-03200215000	S1-03200216000
*	8	DISTRIBUTOR	S1-02209089000	S1-02209089000	S1-02209089000	S1-02209089000
*	9	FIELD CONNECTOR	S1-02531890001	S1-02531890001	S1-02531890001	S1-02531890001
	10					
*	11	LIQUID LINE	S1-02321571000	S1-02321572000	S1-02321571000	S1-02321572000
*	12	BAFFLE KIT, CONDENSATE	S1-37323890001	S1-37323890002	S1-37323890001	S1-37323890001
*	13	CLIP, BAFFLE	S1-02131402000	S1-02131402000	S1-02131402000	S1-02131402000

FIG	ITEM	DESCRIPTION	MC24B2AH1A	MC24B2AH1B	MC30A2AH1A	MC30B2AH1A
1	1	COIL W/DRAIN PAN(See Note 1)	S1-37323793010	S1-37323793013	S1-37323793012	S1-37323793013
1	2	TXV	S1-1TVM2A1	S1-1TVM2A1	S1-1TVM2A1	S1-1TVM2A1
1	3	DRAIN PAN W/INSULATION	S1-37323794005	S1-37323794005	S1-37323794004	S1-37323794005
*	4	GROMMET, 3/4"	S1-02813204000	S1-02813204000	S1-02813204000	S1-02813204000
*	5	GROMMET, 3/8"	S1-02813209000	S1-02813209000	S1-02813209000	S1-02813209000
*	6	COVER, HAIRPIN (2 Req'd)	S1-03100205000	S1-03100207000	S1-03100207000	S1-03100207000
1	7	DRAIN PAN (Horizontal)	S1-03200216000	S1-03200216000	S1-03200216000	S1-03200216000
*	8	DISTRIBUTOR	S1-02209089000	S1-02209089000	S1-02209089000	S1-02209089000
*	9	FIELD CONNECTOR	S1-02531890001	S1-02531890001	S1-02531890001	S1-02531890001
	10					
*	11	LIQUID LINE	S1-02321572000	S1-02321572000	S1-02321571000	S1-02321572000
*	12	BAFFLE KIT, CONDENSATE	S1-37323890002	S1-37323890002	S1-37323890001	S1-37323890002
*	13	CLIP, BAFFLE	S1-02131402000	S1-02131402000	S1-02131402000	S1-02131402000

NOTE: *Not Shown

New replacement parts shown in **bold** face type at the first printing of parts list dated 11/08

Major components and suggested stocking items are shown with shaded item number.

"<" Across from row indicates a change in that row.

--- Not applicable to specified model.

1 Coil does not include TXV.



Figure 1: MULT-POSITION COIL W/HORIZONTAL PAN - R22 TXV

FIG	ITEM	DESCRIPTION	MC32A2AH1A	MC35B2AH1A	MC35C2AH1A	MC36A2AH1A
1	1	COIL W/DRAIN PAN (See Note 1)	S1-37323899002	S1-37323793001	S1-37323865001	S1-37323793015
1	2	TXV	S1-1TVM2A1	S1-1TVM2A1	S1-1TVM2A1	S1-1TVM2A1
1	3	DRAIN PAN W/INSULATION	S1-37323899102	S1-37323794001	S1-37323794002	S1-37323794004
*	4	GROMMET, 3/4"	S1-02813204000	S1-02813204000	S1-02813204000	---
		GROMMET, 7/8"	---	---	---	S1-02813205000
*	5	GROMMET, 3/8"	S1-02813209000	S1-02813209000	S1-02813209000	S1-02813209000
*	6	COVER, HAIRPIN (2 Req'd)	S1-03100209000	S1-03100209000	S1-03100209000	S1-03100208000
1	7	DRAIN PAN (Horizontal)	S1-03200215000	S1-03200215000	S1-03200215000	S1-03200216000
*	8	DISTRIBUTOR	S1-02209083000	S1-02209083000	S1-02209083000	S1-02209089000
*	9	FIELD CONNECTOR	S1-02531890001	S1-02531890001	S1-02531890001	S1-02531890001
	10					
*	11	LIQUID LINE	S1-02321571000	S1-02321572000	S1-02321573000	S1-02321571000
*	12	BAFFLE KIT, CONDENSATE	S1-37323890001	S1-37323890002	S1-37323890003	S1-37323890001
*	13	CLIP, BAFFLE	S1-02131402000	S1-02131402000	S1-02131402000	S1-02131402000

FIG	ITEM	DESCRIPTION	MC36B2AH1A	MC36C2AH1A	MC37A2AH1A	MC42B2CH1A	MC42C2CH1A
1	1	COIL W/DRAIN PAN (See Note 1)	S1-37323793016	S1-37323793008	S1-37323899004	S1-37323793014	S1-37323793009
1	2	TXV	S1-1TVM2A1	S1-1TVM2A1	S1-1TVM2A1	S1-1TVM2C1	S1-1TVM2C1
1	3	DRAIN PAN W/INSULATION	S1-37323794005	S1-37323794002	S1-37323899102	S1-37323794005	S1-37323794002
*	4	GROMMET, 5/8"	---	---	S1-02813203000	---	---
		GROMMET, 7/8"	S1-02813205000	S1-02813205000	---	S1-02813205000	S1-02813205000
*	5	GROMMET, 3/8"	S1-02813209000	S1-02813209000	S1-02813209000	S1-02813209000	S1-02813209000
*	6	COVER, HAIRPIN	S1-03100208000	S1-03100208000	S1-03100210000	S1-03109146000	S1-03109146000
1	7	DRAIN PAN (Horizontal)	S1-03200216000	S1-03200216000	S1-03200216000	S1-03200217000	S1-03200217000
*	8	DISTRIBUTOR	S1-02209089000	S1-02209087000	S1-02209090000	S1-02209088000	S1-02209088000
*	9	FIELD CONNECTOR	S1-02531890001	S1-02531890001	S1-02531890001	S1-02531890001	S1-02531890001
	10						
*	11	LIQUID LINE	S1-02321572000	S1-02321573000	S1-02321571000	S1-02321572000	S1-02321573000
*	12	BAFFLE KIT, CONDENSATE	S1-37323890002	S1-37323890003	S1-37323890001	S1-37323890002	S1-37323890003
*	13	CLIP, BAFFLE	S1-02131402000	S1-02131402000	S1-02131402000	S1-02131402000	S1-02131402000

FIG	ITEM	DESCRIPTION	MC43B2CH1A	MC43C2CH1A	MC48C2CH1A	MC48D2CH1A
1	1	COIL W/DRAIN PAN (See Note 1)	S1-37323899003	S1-37323793002	S1-37323793003	S1-37323793004
1	2	TXV	S1-1TVM2C1	S1-1TVM2C1	S1-1TVM2C1	S1-1TVM2C1
1	3	DRAIN PAN W/INSULATION	S1-37323794001	S1-37323794002	S1-37323794002	S1-37323794002
*	4	GROMMET, 7/8"	S1-02813205000	S1-02813205000	S1-02813205000	S1-02813205000
*	5	GROMMET, 3/8"	S1-02813209000	S1-02813209000	S1-02813209000	S1-02813209000
*	6	COVER, HAIRPIN (2 Req'd)	S1-03100210000	S1-03100210000	S1-03100211000	S1-03100211000
1	7	DRAIN PAN (Horizontal)	S1-03200216000	S1-03200216000	S1-03200217000	S1-03200217000
*	8	DISTRIBUTOR	S1-02209083000	S1-02209083000	S1-02209083000	S1-02209084000
*	9	FIELD CONNECTOR	S1-02531890001	S1-02531890001	S1-02531890001	S1-02531890001
	10					
*	11	LIQUID LINE	S1-02321572000	S1-02321573000	S1-02321573000	S1-02321574000
*	12	Baffle Kit, Condensate	S1-37323890002	S1-37323890003	S1-37323890003	S1-37323890004
*	13	Clip, Baffle	S1-02131402000	S1-02131402000	S1-02131402000	S1-02131402000

FIG	ITEM	DESCRIPTION	MC60D2CH1A	MC60D2CH1B	MC61D2CH1A	MC62D2CH1A
1	1	COIL W/DRAIN PAN (See Note 1)	S1-37323793006	S1-37323793106	S1-37323793007	S1-37327809002
1	2	TXV	S1-1TVM2C1	S1-1TVM2C1	S1-1TVM2C1	S1-1TVM2C1
1	3	DRAIN PAN W/INSULATION	S1-37323794003	S1-37323794003	S1-37323794003	S1-37323794003
*	4	GROMMET, 7/8"	S1-02813205000	S1-02813205000	S1-02813205000	S1-02813205000
*	5	GROMMET, 3/8"	S1-02813209000	S1-02813209000	S1-02813209000	S1-02813209000
*	6	COVER, HAIRPIN (2 Req'd)	S1-03100212000	S1-03100212000	S1-03109145000	S1-03109145000
1	7	DRAIN PAN (Horizontal)	S1-03200217000	S1-03200217000	S1-03200218000	S1-03200218000
*	8	DISTRIBUTOR	S1-02209085000	S1-02541001000	S1-02209086000	S1-02541001000
*	9	FIELD CONNECTOR	S1-02531890001	S1-02531890001	S1-02531890001	S1-02531890001
	10					
*	11	LIQUID LINE	S1-02321574000	S1-02322442000	S1-02321574000	S1-02321574000
*	12	BAFFLE KIT, CONDENSATE	S1-37323890004	S1-37323890004	S1-37323890004	S1-37323890004
*	13	CLIP, BAFFLE	S1-02131402000	S1-02131402000	S1-02131402000	S1-02131402000
*	14	BAFFLE KIT, HORIZONTAL	---	---	S1-37323890005	S1-37323890005

NOTE: *Not Shown
 New replacement parts shown in **bold** face type at the first printing of parts list dated 11/08
 Major components and suggested stocking items are shown with shaded item number.
 "<" Across from row indicates a change in that row.
 --- Not applicable to specified model.
 1 Coil does not include TXV.

Figure 1: MULT-POSITION COIL W/HORIZONTAL PAN - FLEX COIL

FIG	ITEM	DESCRIPTION	MC18A3XH1A	MC18B3XH1A	MC24A3XH1A	MC24A3XH1B
1	1	COIL W/DRAIN PAN	S1-37323793034	S1-37323793010	S1-37323793034	S1-37323793012
	2					
1	3	DRAIN PAN W/INSULATION	S1-37323794004	S1-37323794005	S1-37323794004	S1-37323794004
*	4	GROMMET, 3/4"	S1-02813204000	S1-02813204000	S1-02813204000	S1-02813204000
*	5	GROMMET, 3/8"	S1-02813209000	S1-02813209000	S1-02813209000	S1-02813209000
*	6	COVER, HAIRPIN (2 Req'd)	S1-03100205000	S1-03100205000	S1-03100205000	S1-03100207000
1	7	DRAIN PAN (Horizontal)	S1-03200215000	S1-03200215000	S1-03200215000	S1-03200216000
*	8	DISTRIBUTOR	S1-02209089000	S1-02209089000	S1-02209089000	S1-02209089000
*	9	FIELD CONNECTOR	S1-02531890001	S1-02531890001	S1-02531890001	S1-02531890001
*	10	PLASTIC DISTRIBUTOR CAP	S1-02322438000	S1-02322438000	S1-02322438000	S1-02322438000
*	11	LIQUID LINE	S1-02321571000	S1-02321572000	S1-02321571000	S1-02321571000
*	12	BAFFLE KIT, CONDENSATE	S1-37323890001	S1-37323890002	S1-37323890001	S1-37323890001
*	13	CLIP, BAFFLE	S1-02131402000	S1-02131402000	S1-02131402000	S1-02131402000

FIG	ITEM	DESCRIPTION	MC24B3XH1A	MC24B3XH1B	MC30A3XH1A	MC30B3XH1A
1	1	COIL W/DRAIN PAN	S1-37323793010	S1-37323793013	S1-37323793012	S1-37323793013
	2					
1	3	DRAIN PAN W/INSULATION	S1-37323794005	S1-37323794005	S1-37323794004	S1-37323794005
*	4	GROMMET, 3/4"	S1-02813204000	S1-02813204000	S1-02813204000	S1-02813204000
*	5	GROMMET, 3/8"	S1-02813209000	S1-02813209000	S1-02813209000	S1-02813209000
*	6	COVER, HAIRPIN (2 Req'd)	S1-03100205000	S1-03100207000	S1-03100207000	S1-03100207000
1	7	DRAIN PAN (Horizontal)	S1-03200215000	S1-03200216000	S1-03200216000	S1-03200216000
*	8	DISTRIBUTOR	S1-02209089000	S1-02209089000	S1-02209089000	S1-02209089000
*	9	FIELD CONNECTOR	S1-02531890001	S1-02531890001	S1-02531890001	S1-02531890001
*	10	PLASTIC DISTRIBUTOR CAP	S1-02322438000	S1-02322438000	S1-02322438000	S1-02322438000
*	11	LIQUID LINE	S1-02321572000	S1-02321572000	S1-02321571000	S1-02321572000
*	12	BAFFLE KIT, CONDENSATE	S1-37323890002	S1-37323890002	S1-37323890001	S1-37323890002
*	13	CLIP, BAFFLE	S1-02131402000	S1-02131402000	S1-02131402000	S1-02131402000

FIG	ITEM	DESCRIPTION	MC32A3XH1A	MC35B3XH1A	MC35C3XH1A	MC35C3XH2A
1	1	COIL W/DRAIN PAN	S1-37323899002	S1-37323793001	S1-37323865001	S1-37323865001
	2					
1	3	DRAIN PAN W/INSULATION	S1-37323899102	S1-37323794001	S1-37323794002	S1-37323794002
*	4	GROMMET, 3/4"	S1-02813204000	S1-02813204000	S1-02813204000	S1-02813204000
*	5	GROMMET, 3/8"	S1-02813209000	S1-02813209000	S1-02813209000	S1-02813209000
*	6	COVER, HAIRPIN (2 Req'd)	S1-03100209000	S1-03100209000	S1-03100209000	S1-03100209000
1	7	DRAIN PAN (Horizontal)	S1-03200215000	S1-03200215000	S1-03200215000	S1-03200215000
*	8	DISTRIBUTOR	S1-02209083000	S1-02209083000	S1-02209083000	S1-02209083000
*	9	FIELD CONNECTOR	S1-02531890001	S1-02531890001	S1-02531890001	S1-02531890001
*	10	PLASTIC DISTRIBUTOR CAP	S1-02322438000	S1-02322438000	S1-02322438000	S1-02322438000
*	11	LIQUID LINE	S1-02321571000	S1-02321571000	S1-02321571000	S1-02321573000
*	12	BAFFLE KIT, CONDENSATE	S1-37323890001	S1-37323890002	S1-37323890003	S1-37323890003
*	13	CLIP, BAFFLE	S1-02131402000	S1-02131402000	S1-02131402000	S1-02131402000

FIG	ITEM	DESCRIPTION	MC36A3XH1A	MC36B3XH1	MC36C3XH1A	MC37A3XH1A
1	1	COIL W/DRAIN PAN	S1-37323793015	S1-37323793016	S1-37323793008	S1-37323899004
	2					
1	3	DRAIN PAN W/INSULATION	S1-37323794004	S1-37323794005	S1-37323794002	S1-37323899102
*	4	GROMMET, 7/8"	S1-02813205000	S1-02813205000	S1-02813205000	S1-02813205000
*	5	GROMMET, 3/8"	S1-02813209000	S1-02813209000	S1-02813209000	S1-02813209000
*	6	COVER, HAIRPIN (2 Req'd)	S1-03100208000	S1-03100208000	S1-03100208000	S1-03100210000
1	7	DRAIN PAN (Horizontal)	S1-03200216000	S1-03200216000	S1-03200216000	S1-03200216000
*	8	DISTRIBUTOR	S1-02209089000	S1-02209089000	S1-02209087000	S1-02209083000
*	9	FIELD CONNECTOR	S1-02531890001	S1-02531890001	S1-02531890001	S1-02531890001
*	10	PLASTIC DISTRIBUTOR CAP	S1-02322438000	S1-02322438000	S1-02322438000	S1-02322438000
*	11	LIQUID LINE	S1-02321571000	S1-02321572000	S1-02321573000	S1-02321571000
*	12	BAFFLE KIT, CONDENSATE	S1-37323890001	S1-37323890002	S1-37323890003	S1-37323890001
*	13	CLIP, BAFFLE	S1-02131402000	S1-02131402000	S1-02131402000	S1-02131402000

NOTE: *Not Shown
 New replacement parts shown in **bold** face type at the first printing of parts list dated 11/08.
 Major components and suggested stocking items are shown with shaded item number.
 "<" Across from row indicates a change in that row.
 --- Not applicable to specified model.



Figure 1: MULT-POSITION COIL W/HORIZONTAL PAN - FLEX COIL

FIG	ITEM	DESCRIPTION	MC42B3XH1	MC42C3XH1A	MC43B3XH1A	MC43C3H1A
1	1	COIL W/DRAIN PAN	S1-37323793014	S1-37323793009	S1-37323899003	S1-37323793002
	2					
1	3	DRAIN PAN W/INSULATION	S1-37323794005	S1-37323794002	S1-37323794001	S1-37323794002
*	4	GROMMET, 7/8"	S1-02813205000	S1-02813205000	S1-02813205000	S1-02813205000
*	5	GROMMET, 3/8"	S1-02813209000	S1-02813209000	S1-02813209000	S1-02813209000
*	6	COVER, HAIRPIN (2 Req'd)	S1-03109146000	S1-03109146000	S1-03100210000	S1-03100210000
1	7	DRAIN PAN (Horizontal)	S1-03200217000	S1-03200217000	S1-03200216000	S1-03200216000
*	8	DISTRIBUTOR	S1-02209088000	S1-02209088000	S1-02209083000	S1-02209083000
*	9	FIELD CONNECTOR	S1-02531890001	S1-02531890001	S1-02531890001	S1-02531890001
*	10	PLASTIC DISTRIBUTOR CAP	S1-02322438000	S1-02322438000	S1-02322438000	S1-02322438000
*	11	LIQUID LINE	S1-02321572000	S1-02321573000	S1-02321572000	S1-02321573000
*	12	BAFFLE KIT, CONDENSATE	S1-37323890002	S1-37323890003	S1-37323890002	S1-37323890003
*	13	CLIP, BAFFLE	S1-02131402000	S1-02131402000	S1-02131402000	S1-02131402000

FIG	ITEM	DESCRIPTION	MC48C3XH1A	MC48D3XH1A	MC60D3XH1A	MC60D3XH1B
1	1	COIL W/DRAIN PAN	S1-37323793003	S1-37323793004	S1-37323793006	S1-37323793106
	2					
1	3	DRAIN PAN W/INSULATION	S1-37323794002	S1-37323794002	S1-37323794003	S1-37323794003
*	4	GROMMET, 7/8"	S1-02813205000	S1-02813205000	S1-02813205000	S1-02813205000
*	5	GROMMET, 3/8"	S1-02813209000	S1-02813209000	S1-02813209000	S1-02813209000
*	6	COVER, HAIRPIN (2 Req'd)	S1-03100211000	S1-03100211000	S1-03100212000	S1-03100212000
1	7	DRAIN PAN (Horizontal)	S1-03200217000	S1-03200217000	S1-03200217000	S1-03200217000
*	8	DISTRIBUTOR	S1-02209083000	S1-02209084000	S1-02209085000	S1-02541001000
*	9	FIELD CONNECTOR	S1-02531890001	S1-02531890001	S1-02531890001	S1-02531890001
*	10	PLASTIC DISTRIBUTOR CAP	S1-02322438000	S1-02322438000	S1-02322438000	S1-02322438000
*	11	LIQUID LINE	S1-02321573000	S1-02321574000	S1-02321574000	S1-02322442000
*	12	BAFFLE KIT, CONDENSATE	S1-37323890003	S1-37323890004	S1-37323890004	S1-37323890004
*	13	CLIP, BAFFLE	S1-02131402000	S1-02131402000	S1-02131402000	S1-02131402000
*	14	BAFFLE, HORIZONTAL	---	---	---	---

FIG	ITEM	DESCRIPTION	MC61D3XH1A		MC62D3XH1A	
1	1	COIL W/DRAIN PAN	S1-37323793007		S1-37327809002	
	2					
1	3	DRAIN PAN W/INSULATION	S1-37323794003		S1-37323794003	
*	4	GROMMET, 7/8"	S1-02813205000		S1-02813205000	
*	5	GROMMET, 3/8"	S1-02813209000		S1-02813209000	
*	6	COVER, HAIRPIN (2 Req'd)	S1-03109145000		S1-03109145000	
1	7	DRAIN PAN (Horizontal)	S1-03200218000		S1-03200218000	
*	8	DISTRIBUTOR	S1-02209086000		S1-02541001000	
*	9	FIELD CONNECTOR	S1-02531890001		S1-02531890001	
*	10	PLASTIC DISTRIBUTOR CAP	S1-02322438000		S1-02322438000	
*	11	LIQUID LINE	S1-02321574000		S1-02321574000	
*	12	BAFFLE KIT, CONDENSATE	S1-37323890004		S1-37323890004	
*	13	CLIP, BAFFLE	S1-02131402000		S1-02131402000	
*	14	BAFFLE, HORIZONTAL	S1-37323890005		S1-37323890005	

NOTE: *Not Shown
 New replacement parts shown in **bold** face type at the first printing of parts list dated 11/08.
 Major components and suggested stocking items are shown with shaded item number.
 "<" Across from row indicates a change in that row.
 --- Not applicable to specified model.



TO ORDER AUTHORIZED FACTORY REPLACEMENT PARTS - Contact your Source1 HVAC Parts Distributor or visit our website at www.Source1Parts.com for a Distributor and Dealer listing.