



www.Source1Parts.com

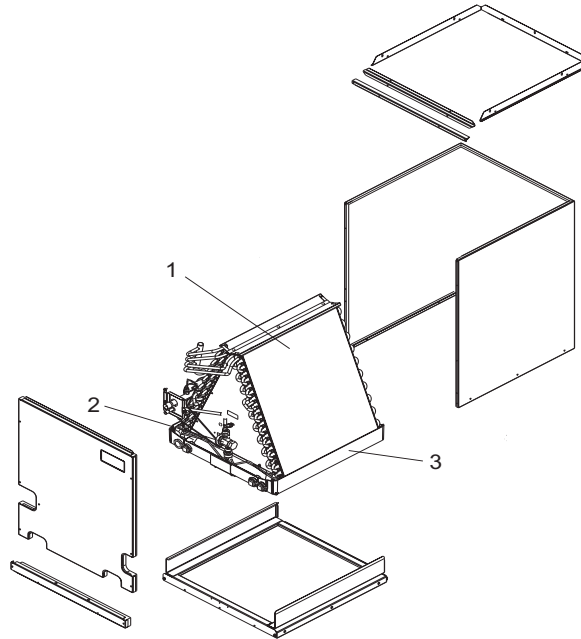
## FC SERIES (STYLE A & B) UPFLOW/DOWNFLOW CASED COILS R-22 TXV AND FLEX COIL MODELS

**HVAC SERVICE PARTS**

Supersedes: 035-20828-001 Rev. I (0508)

035-20828-001 Rev. J (1108)

1 of 4



**Figure 1 : UPFLOW/DOWNFLOW CASED COIL- R-22 TXV**

ITEM	DESCRIPTION	FC18A2AN1A	FC18B2AN1A	FC24A2AN1A	FC24A2AN1B
1	COIL WITH DRAIN PAN ( <b>See Note 1</b> )	S1-37323793034	S1-37323793010	S1-37323793034	S1-37323793012
2	TXV	S1-1TVM2A1	S1-1TVM2A1	S1-1TVM2A1	S1-1TVM2A1
3	DRAIN PAN W/INSULATION	S1-37323794004	S1-37323794005	S1-37323794004	S1-37323794004
4*	HAIRPIN COVER	S1-03100205000	S1-03100205000	S1-03100205000	S1-03100207000
5*	GROMMET, 3/8"	S1-02813209000	S1-02813209000	S1-02813209000	S1-02813209000
6*	GROMMET, 3/4"	S1-02813204000	S1-02813204000	S1-02813204000	S1-02813204000
7*	DISTRIBUTOR	S1-02209089000	S1-02209089000	S1-02209089000	S1-02209089000
8*	FIELD CONNECTOR	S1-02531890001	S1-02531890001	S1-02531890001	S1-02531890001
9					
10*	LIQUID LINE	S1-02321571000	S1-02321571000	S1-02321571000	S1-02321571000
11*	BAFFLE KIT, CONDENSATE	S1-37323890001	S1-37323890001	---	S1-37323890001
12*	CLIP, BAFFLE	S1-02131402000	S1-02131402000	---	S1-02131402000

ITEM	DESCRIPTION	FC24B2AN1A	FC24B2AN1B	FC30A2AN1A	FC30B2AN1A
1	COIL WITH DRAIN PAN ( <b>See Note 1</b> )	S1-37323793010	S1-37323793013	S1-37323793012	S1-37323793013
2	TXV	S1-1TVM2A1	S1-1TVM2A1	S1-1TVM2A1	S1-1TVM2A1
3	DRAIN PAN W/INSULATION	S1-37323794005	S1-37323794005	S1-37323794004	S1-37323794005
4*	HAIRPIN COVER	S1-03100205000	S1-03100207000	S1-03100205000	S1-03100205000
5*	GROMMET, 3/8"	S1-02813209000	S1-02813209000	S1-02813209000	S1-02813209000
6*	GROMMET, 3/4"	S1-02813204000	S1-02813204000	S1-02813204000	S1-02813204000
7*	DISTRIBUTOR	S1-02209089000	S1-02209089000	S1-02209089000	S1-02209089000
8*	FIELD CONNECTOR	S1-02531890001	S1-02531890001	S1-02531890001	S1-02531890001
9					
10*	LIQUID LINE	S1-02321572000	S1-02321572000	S1-02321571000	S1-02321572000
11*	BAFFLE KIT, CONDENSATE	---	S1-37323890002	S1-37323890001	S1-37323890002
12*	CLIP, BAFFLE	---	S1-02131402000	S1-02131402000	S1-02131402000

**NOTE:** \*Not Shown  
 New replacement parts shown in **bold** face type at the first printing of parts list dated 5/08.  
 Major components and suggested stocking items are shown with shaded item number.  
 “-” Across from row indicates a change in that row.  
 --- Not applicable to specified model.  
 1 Coil does not include TXV.

**Figure 1: UPFLOW/DOWNFLOW CASED COIL- R-22 TXV**

ITEM	DESCRIPTION	FC32A2AN1A	FC35B2AN1A	FC35C2AN1A	FC36A2AN1A	FC36B2AN1A
1	COIL W/ DRAIN PAN (See Note 1)	S1-37323899002	S1-37323793001	S1-37323865001	S1-37323793015	S1-37323793016
2	TXV	S1-1TVM2A1	S1-1TVM2A1	S1-1TVM2A1	S1-1TVM2A1	S1-1TVM2A1
3	DRAIN PAN W/INSULATION	S1-37323899102	S1-37323794001	S1-37323794002	S1-37323794004	S1-37323794005
4*	HAIRPIN COVER	S1-03100209000	S1-03100209000	S1-03100209000	S1-03100208000	S1-03100208000
5*	GROMMET, 3/8"	S1-02813209000	S1-02813209000	S1-02813209000	S1-02813209000	S1-02813209000
6*	GROMMET, 3/4"	S1-02813204000	S1-02813204000	S1-02813204000	---	---
	GROMMET, 7/8"	---	---	---	S1-02813205000	S1-02813205000
7*	DISTRIBUTOR	S1-02209083000	S1-02209083000	S1-02209083000	S1-02209089000	S1-02209089000
8*	FIELD CONNECTOR	S1-02531890001	S1-02531890001	S1-02531890001	S1-02531890001	S1-02531890001
9						
10*	LIQUID LINE	S1-02321571000	S1-02321572000	S1-02321573000	S1-02321571000	S1-02321572000
11*	BAFFLE KIT, CONDENSATE	S1-37323890001	S1-37323890002	S1-37323890003	S1-37323890001	S1-37323890002
12*	CLIP, BAFFLE	S1-02131402000	S1-02131402000	S1-02131402000	S1-02131402000	S1-02131402000

ITEM	DESCRIPTION	FC36C2AN1A	FC37A2AN1A		FC42B2CN1A	FC42C2CN1A
1	COIL W/ DRAIN PAN (See Note 1)	S1-37323793008	S1-37323899004		S1-37323793014	S1-37323793009
2	TXV	S1-1TVM2A1	S1-1TVM2A1		S1-1TVM2C1	S1-1TVM2C1
3	DRAIN PAN W/INSULATION	S1-37323794002	S1-37323899102		S1-37323794005	S1-37323794002
4*	HAIRPIN COVER	S1-03100208000	S1-03100210000		S1-03109416000	S1-03109416000
5*	GROMMET, 3/8"	S1-02813209000	S1-02813209000		S1-02813209000	S1-02813209000
6*	GROMMET, 5/8"	---	S1-02813203000		---	---
	GROMMET, 7/8"	S1-02813205000	---		S1-02813205000	S1-02813205000
7*	DISTRIBUTOR	S1-02209087000	S1-02209090000		S1-02209088000	S1-02209088000
8*	FIELD CONNECTOR	S1-02531890001	S1-02531890001		S1-02531890001	S1-02531890001
9						
10*	LIQUID LINE	S1-02321573000	S1-02321571000		S1-02321572000	S1-02321573000
11*	BAFFLE KIT, CONDENSATE	S1-37323890003	S1-37323890001		S1-37323890002	S1-37323890003
12*	CLIP, BAFFLE	S1-02131402000	S1-02131402000		S1-02131402000	S1-02131402000

ITEM	DESCRIPTION	FC43B2CN1A	FC43C2CN1A	FC48C2CN1A	FC48D2CN1A	FC60C2CN1A
1	COIL W/ DRAIN PAN (See Note 1)	S1-37323899003	S1-37323793002	S1-37323793003	S1-37323793004	S1-37323793005
2	TXV	S1-1TVM2C1	S1-1TVM2C1	S1-1TVM2C1	S1-1TVM2C1	S1-1TVM2C1
3	DRAIN PAN W/INSULATION	S1-37323794001	S1-37323794002	S1-37323794002	S1-37323794003	S1-37323794002
4*	HAIRPIN COVER	S1-03100210000	S1-03100210000	S1-03100211000	S1-03100211000	S1-03100212000
5*	GROMMET, 3/8"	S1-02813209000	S1-02813209000	S1-02813209000	S1-02813209000	S1-02813209000
6*	GROMMET, 7/8"	S1-02813205000	S1-02813205000	S1-02813205000	S1-02813205000	S1-02813205000
7*	DISTRIBUTOR	S1-02209083000	S1-02209083000	S1-02209083000	S1-02209084000	S1-02209085000
8*	FIELD CONNECTOR	S1-02531890001	S1-02531890001	S1-02531890001	S1-02531890001	S1-02531890001
9						
10*	LIQUID LINE	S1-02321572000	S1-02321573000	S1-02321573000	S1-02321574000	S1-02321573000
11*	BAFFLE KIT, CONDENSATE	S1-37323890002	S1-37323890003	S1-37323890003	S1-37323890004	S1-37323890003
12*	CLIP, BAFFLE	S1-02131402000	S1-02131402000	S1-02131402000	S1-02131402000	S1-02131402000

ITEM	DESCRIPTION	FC60C2CN1B	FC60D2CN1A	FC60D2CN1B		FC62D2CN1A
1	COIL W/ DRAIN PAN (See Note 1)	S1-37323793105	S1-37323793006	S1-37323793106		S1-37327809002
2	TXV	S1-1TVM2C1	S1-1TVM2C1	S1-1TVM2C1		S1-1TVM2C1
3	DRAIN PAN W/INSULATION	S1-37323794002	S1-37323794003	S1-37323794003		S1-37323794003
4*	HAIRPIN COVER	S1-03100212000	S1-03100212000	S1-03100212000		S1-03109145000
5*	GROMMET, 3/8"	S1-02813209000	S1-02813209000	S1-02813209000		S1-02813209000
6*	GROMMET, 7/8"	S1-02813205000	S1-02813205000	S1-02813205000		S1-02813205000
7*	DISTRIBUTOR	S1-02541001000	S1-02209085000	S1-02541001000		S1-02441001000
8*	FIELD CONNECTOR	S1-02531890001	S1-02531890001	S1-02531890001		S1-02531890001
9						
10*	LIQUID LINE	S1-02322441000	S1-02321574000	S1-02322442000		S1-02321574000
11*	BAFFLE KIT, CONDENSATE	S1-37323890003	S1-37323890004	S1-37323890004		S1-37323890004
12*	CLIP, BAFFLE	S1-02131402000	S1-02131402000	S1-02131402000		S1-02131402000

**NOTE:** \*Not Shown  
 New replacement parts shown in **bold** face type at the first printing of parts list dated 11/08  
 Major components and suggested stocking items are shown with shaded item number.  
 "<" Across from row indicates a change in that row.  
 --- Not applicable to specified model.  
 1 Coil does not include TXV.

Figure 1: UPFLOW/DOWNFLOW CASED COIL - FLEX COIL

ITEM	DESCRIPTION	FC18A3XN1A	FC18B3XN1A	FC24A3XN1A	FC24A3XN1B
1	COIL WITH DRAIN PAN	S1-37323793034	S1-37323793010	S1-37323793034	S1-37323793013
2					
3	DRAIN PAN W/INSULATION	S1-37323794004	S1-37323794005	S1-37323794004	S1-37323794004
4*	HAIRPIN COVER	S1-03100205000	S1-03100205000	S1-03100205000	S1-03100207000
5*	GROMMET, 3/8"	S1-02813209000	S1-02813209000	S1-02813209000	S1-02813209000
6*	GROMMET, 3/4"	S1-02813204000	S1-02813204000	S1-02813204000	S1-02813204000
7*	DISTRIBUTOR	S1-02209089000	S1-02209089000	S1-02209089000	S1-02209089000
8*	FIELD CONNECTOR	S1-02531890001	S1-02531890001	S1-02531890001	S1-02531890001
9*	PLASTIC DISTRIBUTOR CAP	S1-02322438000	S1-02322438000	S1-02322438000	S1-02322438000
10*	LIQUID LINE	S1-02321571000	S1-02321572000	S1-02321571000	S1-02321571000
11*	BAFFLE KIT, CONDENSATE	S1-37323890001	S1-37323890002	S1-37323890001	S1-37323890001
12*	CLIP, BAFFLE	S1-02131402000	S1-02131402000	S1-02131402000	S1-02131402000

ITEM	DESCRIPTION	FC24B3XN1A	FC24B3XN1B	FC30A3XN1A	FC30B3XN1A
1	COIL WITH DRAIN PAN	S1-37323793010	S1-37323793013	S1-37323793012	S1-37323793013
2					
3	DRAIN PAN W/INSULATION	S1-37323794005	S1-37323794005	S1-37323794004	S1-37323794005
4*	HAIRPIN COVER	S1-03100205000	S1-03100207000	S1-03100205000	S1-03100205000
5*	GROMMET, 3/8"	S1-02813209000	S1-02813209000	S1-02813209000	S1-02813209000
6*	GROMMET, 3/4"	S1-02813204000	S1-02813204000	S1-02813204000	S1-02813204000
7*	DISTRIBUTOR	S1-02209089000	S1-02209089000	S1-02209089000	S1-02209089000
8*	FIELD CONNECTOR	S1-02531890001	S1-02531890001	S1-02531890001	S1-02531890001
9*	PLASTIC DISTRIBUTOR CAP	S1-02322438000	S1-02322438000	S1-02322438000	S1-02322438000
10*	LIQUID LINE	S1-02321572000	S1-02321572000	S1-02321571000	S1-02321572000
11*	BAFFLE KIT, CONDENSATE	S1-37323890002	S1-37323890002	S1-37323890001	S1-37323890002
12*	CLIP, BAFFLE	S1-02131402000	S1-02131402000	S1-02131402000	S1-02131402000

ITEM	DESCRIPTION	FC32A3XN1A	FC35B3XN1A	FC35B3XN2A	FC35C3XN1A	FC35C3XN2A
1	COIL WITH DRAIN PAN	S1-37323899002	S1-37323793001	S1-37323793001	S1-37323865001	S1-37323865001
2						
3	DRAIN PAN W/INSULATION	S1-37323899102	S1-37323794001	S1-37323794001	S1-37323794002	S1-37323794002
4*	HAIRPIN COVER	S1-03100209000	S1-03100209000	S1-03100209000	S1-03100209000	S1-03100209000
5*	GROMMET, 3/8"	S1-02813209000	S1-02813209000	S1-02813209000	S1-02813209000	S1-02813209000
6*	GROMMET, 3/4"	S1-02813204000	S1-02813204000	S1-02813204000	S1-02813204000	S1-02813204000
7*	DISTRIBUTOR	S1-02209083000	S1-02209083000	S1-02209083000	S1-02209083000	S1-02209083000
8*	FIELD CONNECTOR	S1-02531890001	S1-02531890001	S1-02531890001	S1-02531890001	S1-02531890001
9*	PLASTIC DISTRIBUTOR CAP	S1-02322438000	S1-02322438000	S1-02322438000	S1-02322438000	S1-02322438000
10*	LIQUID LINE	S1-02321571000	S1-02321572000	S1-02321572000	S1-02321573000	S1-02321573000
11*	BAFFLE KIT, CONDENSATE	S1-37323890001	S1-37323890002	S1-37323890002	S1-37323890003	S1-37323890003
12*	CLIP, BAFFLE	S1-02131402000	S1-02131402000	S1-02131402000	S1-02131402000	S1-02131402000

ITEM	DESCRIPTION	FC36A3XN1A	FC36B3XN1A	FC36C3XN1A	FC37A3XN1A
1	COIL WITH DRAIN PAN	S1-37323793015	S1-37323793016	S1-37323793008	S1-37323899004
2					
3	DRAIN PAN W/INSULATION	S1-37323794004	S1-37323794005	S1-37323794002	S1-37323899102
4*	HAIRPIN COVER	S1-03100208000	S1-03100208000	S1-03100208000	S1-03100208000
5*	GROMMET, 3/8"	S1-02813209000	S1-02813209000	S1-02813209000	S1-02813209000
6*	GROMMET, 7/8"	S1-02813205000	S1-02813205000	S1-02813205000	S1-02813205000
7*	DISTRIBUTOR	S1-02209089000	S1-02209089000	S1-02209087000	S1-02209083000
8*	FIELD CONNECTOR	S1-02531890001	S1-02531890001	S1-02531890001	S1-02531890001
9*	PLASTIC DISTRIBUTOR CAP	S1-02322438000	S1-02322438000	S1-02322438000	S1-02322438000
10*	LIQUID LINE	S1-02321571000	S1-02321572000	S1-02321573000	S1-02321571000
11*	BAFFLE KIT, CONDENSATE	S1-37323890001	S1-37323890002	S1-37323890003	S1-37323890001
12*	CLIP, BAFFLE	S1-02131402000	S1-02131402000	S1-02131402000	S1-02131402000

**NOTE:** \*Not Shown  
New replacement parts shown in **bold** face type at the first printing of parts list dated 11/08  
Major components and suggested stocking items are shown with shaded item number.  
"←" Across from row indicates a change in that row.  
--- Not applicable to specified model.

Figure 1: UPFLOW/DOWNFLOW CASED COIL - FLEX COIL

ITEM	DESCRIPTION	FC42B3X1A	FC42C3X1A	FC43B3XN1A	FC43C3XN1A
1	COIL WITH DRAIN PAN	S1-37323793014	S1-37323793009	S1-37323899002	S1-37323793002
2					
3	DRAIN PAN W/INSULATION	S1-37323794005	S1-37323794002	S1-37323794001	S1-37323794002
4*	HAIRPIN COVER	S1-03109416000	S1-03109146000	S1-03100210000	S1-03100210000
5*	GROMMET, 3/8"	S1-02813209000	S1-02813209000	S1-02813209000	S1-02813209000
6*	GROMMET, 7/8"	S1-02813205000	S1-02813205000	S1-02813205000	S1-02813205000
7*	DISTRIBUTOR	S1-02209088000	S1-02209088000	S1-02209083000	S1-02209083000
8*	FIELD CONNECTOR	S1-02531890001	S1-02531890001	S1-02531890001	S1-02531890001
9*	PLASTIC DISTRIBUTOR CAP	S1-02322438000	S1-02322438000	S1-02322438000	S1-02322438000
10*	LIQUID LINE	S1-02321572000	S1-02321573000	S1-02321572000	S1-02321573000
11*	BAFFLE KIT, CONDENSATE	S1-37323890002	S1-37323890003	S1-37323890002	S1-37323890003
12*	CLIP, BAFFLE	S1-02131402000	S1-02131402000	S1-02131402000	S1-02131402000

ITEM	DESCRIPTION	FC48C3XN1A	FC48D3XN1A	FC60C3XN1A	FC60C3XN1B
1	COIL WITH DRAIN PAN	S1-37323793003	S1-37323793004	S1-37323793005	<b>S1-37323793105</b>
2					
3	DRAIN PAN W/INSULATION	S1-37323794002	S1-37323794003	S1-37323794002	S1-37323794002
4*	HAIRPIN COVER	S1-03100211000	S1-03100211000	S1-03100212000	S1-03100212000
5*	GROMMET, 3/8"	S1-02813209000	S1-02813209000	S1-02813209000	S1-02813209000
6*	GROMMET, 7/8"	S1-02813205000	S1-02813205000	S1-02813205000	S1-02813205000
7*	DISTRIBUTOR	S1-02209083000	S1-02209084000	S1-02209085000	S1-02541001000
8*	FIELD CONNECTOR	S1-02531890001	S1-02531890001	S1-02531890001	S1-02531890001
9*	PLASTIC DISTRIBUTOR CAP	S1-02322438000	S1-02322438000	S1-02322438000	S1-02322438000
10*	LIQUID LINE	S1-02321573000	S1-02321574000	S1-02321573000	S1-02322441000
11*	BAFFLE KIT, CONDENSATE	S1-37323890003	S1-37323890004	S1-37323890003	S1-37323890003
12*	CLIP, BAFFLE	S1-02131402000	S1-02131402000	S1-02131402000	S1-02131402000

ITEM	DESCRIPTION	FC60D3XN1A	FC60D3XN1B		FC62D3XN1A
1	COIL WITH DRAIN PAN	S1-37323793006	S1-37323793106		S1-37327809002
2					
3	DRAIN PAN W/INSULATION	S1-37323794003	S1-37323794003		S1-37323794003
4*	HAIRPIN COVER	S1-03100212000	S1-03100212000		S1-03109145000
5*	GROMMET, 3/8"	S1-02813209000	S1-02813209000		S1-02813209000
6*	GROMMET, 7/8"	S1-02813205000	S1-02813205000		S1-02813205000
7*	DISTRIBUTOR	S1-02209085000	S1-02541001000		S1-02441001000
8*	FIELD CONNECTOR	S1-02531890001	S1-02531890001		S1-02531890001
9*	PLASTIC DISTRIBUTOR CAP	S1-02322438000	S1-02322438000		S1-02322438000
10*	LIQUID LINE	S1-02321574000	S1-02322442000		S1-02321574000
11*	BAFFLE KIT, CONDENSATE	S1-37323890004	S1-37323890004		S1-37323890004
12*	CLIP, BAFFLE	S1-02131402000	S1-02131402000		S1-02131402000

**NOTE:** \*Not Shown  
 New replacement parts shown in **bold** face type at the first printing of parts list dated 11/08.  
 Major components and suggested stocking items are shown with shaded item number.  
 "<" Across from row indicates a change in that row.  
 --- Not applicable to specified model.



**TO ORDER AUTHORIZED FACTORY REPLACEMENT PARTS** - Contact your Source1 HVAC Parts Distributor or visit our website at [www.Source1Parts.com](http://www.Source1Parts.com) for a Distributor and Dealer listing.