



www.Source1Parts.com

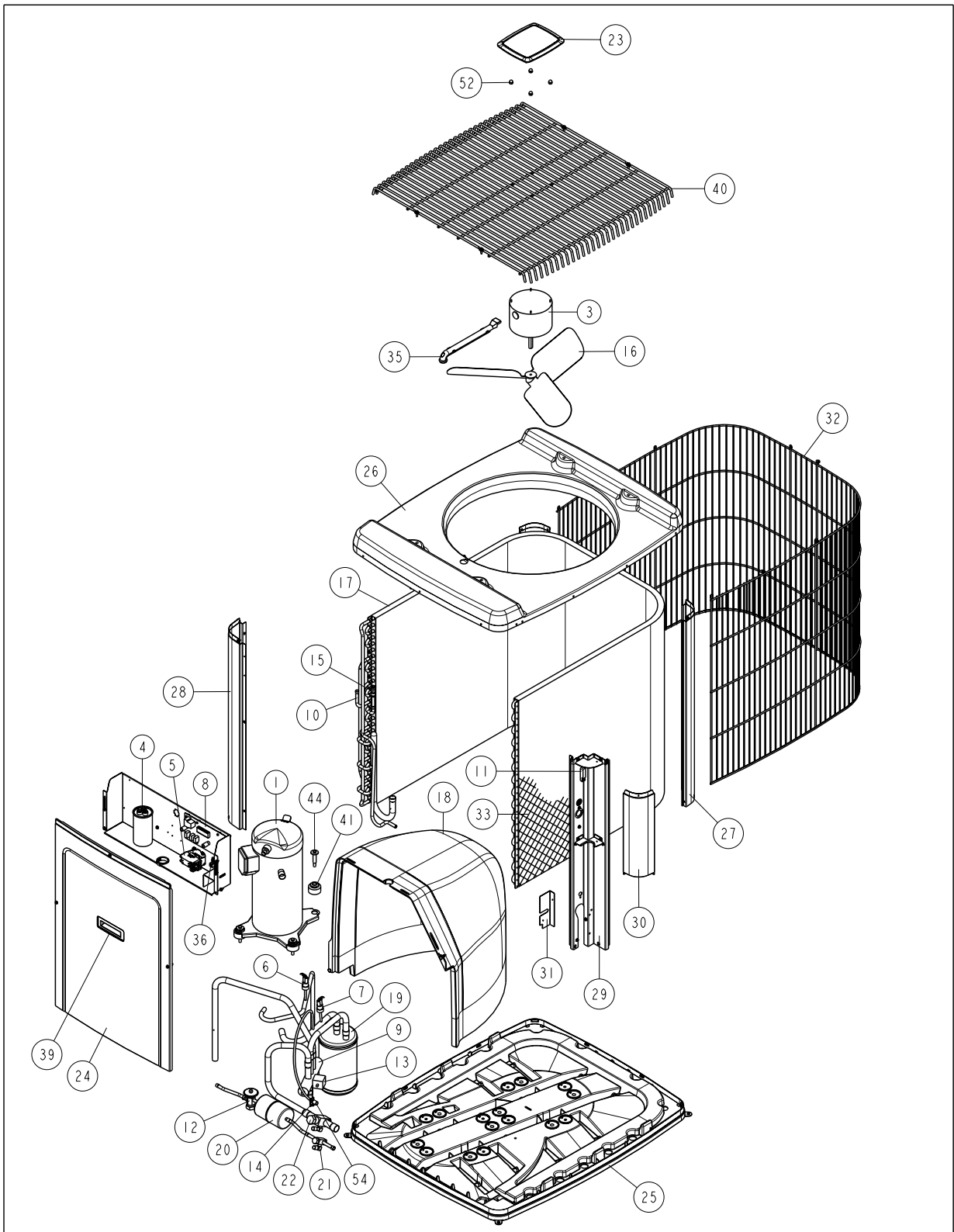
HVAC SERVICE PARTS

# HC3 SERIES, 13 SEER HEAT PUMP - OUTDOOR UNIT (R-22) (STYLE A & B)

Supersedes:035-21124-001 Rev. E (0109)

035-21124-001 Rev. F (0409)

1 of 4



ITEM	DESCRIPTION	HC3A018F1A	HC3A024F1A	HC3A030F1A	HC3A036F1B
1	Compressor	015-03857-004	015-03527-004	015-02721-004	015-03823-001
2*	Compressor Harness	025-31884-000	025-31884-000	025-31884-000	025-31884-000
3	Motor, Direct Drive Fan	024-26029-000	024-26029-000	024-27596-000	024-27596-000
4	Capacitor, Run (30/5MFD) [RC]	024-24778-000	---	---	---
	Capacitor, Run (35/5MFD) [RC]	---	024-23998-000	---	---
	Capacitor, Run (40/5MFD) [RC]	---	---	024-25893-000	024-25893-000
5	Contact, Electrical (40 AMP) [M]	024-25837-000	024-25837-000	024-25837-000	024-25837-000
6	Control Pressure (High)	025-33305-068	025-33305-068	025-33305-068	025-33305-068
7	Control Pressure (Low)	025-39886-000	025-39886-000	025-39886-000	025-39886-000
8	Control Defrost	031-09137-000	031-09137-000	031-09137-000	031-09137-000
9	Reversing Valve	025-38945-000	025-38945-000	025-38946-000	025-38946-000
10	Sensor, Temperature	031-01276-000	031-01276-000	031-01276-000	031-01276-000
11	Ambient Sensor	025-32701-000	025-32701-000	025-32701-000	025-32701-000
12	TXV	022-09091-000	022-09091-000	022-09091-000	022-09093-000
13	Solenoid Coil (Rev. Valve)	025-38948-000	025-38948-000	025-38948-000	025-38948-000
14	Valve Body	022-08982-000	022-08982-000	022-08982-000	022-08982-000
15	Distributor Assembly	025-33424-233	025-33424-233	025-33424-234	025-33424-235
16	Blade, Fan	026-39500-000	026-39500-000	026-39501-000	026-42370-000
17	Coil, Condenser	373-23834-001	373-23834-002	373-23834-003	373-23834-004
18	Bulkhead, Small	028-14887-011	028-14887-012	028-14887-012	---
	Bulkhead, Large	---	---	---	028-14887-012
19	Accumulator Tank	026-42368-000	026-42368-000	026-42369-000	026-42369-000
20	Filter/Drier	026-25512-000	026-25512-000	026-25512-000	026-25512-000
21	Valve Base, Liquid (3/8")	022-09064-375	022-09064-375	022-09064-375	022-09064-375
22	Valve Base, Suction (3/4")	022-09064-750	022-09064-750	---	---
	Valve Base, Suction (7/8")	---	---	022-09064-875	022-09064-875
23	Top Cap Assy	028-14888-001	028-14888-001	028-14888-001	028-14888-001
24	Access Panel	073-26917-207	073-26917-407	073-26917-707	073-23829-004
25	Pan, Base	028-14885-001	028-14885-001	028-14885-001	032-00214-000
26	Panel, Top	073-26917-101	073-26917-101	073-26917-101	073-23828-003
27	Corner Post, Front (2 Req'd)	073-26917-208	073-26917-408	073-26917-708	073-26917-708
28	Corner Post, Access	073-26917-211	073-26917-411	073-26917-711	073-26917-711
29	Corner Post, Valve	073-26917-213	073-26917-413	073-26917-713	073-26917-713
30	Corner Cover, Access	073-26917-115	073-26917-115	073-26917-115	073-26917-115
31	Bracket, Corner Post	073-26917-117	073-26917-117	073-26917-117	073-26917-117
32	Coil Guard	373-23755-001	373-23755-002	373-23755-003	073-23830-002
33	Guard, Plastic Wire Mesh Coil	028-14879-026	028-14879-030	028-14879-036	028-15464-000
34*	Fastener, Push-In (8 Req'd)	021-18381-000	021-18381-000	021-18381-000	021-18381-000
35	Wireway	028-13216-001	028-13216-001	028-13216-001	028-15463-000
36	Lug, Electrical	025-21798-000	025-21798-000	025-21798-000	025-21798-000
37*	Relief, Strain	025-09080-000	025-09080-000	025-09080-000	025-09080-000
38*	Bezel Plate Assy (1 Req'd)	028-14889-001	028-14889-001	028-14889-001	028-14889-001
39	Handle-Access	028-14886-000	028-14886-000	028-14886-000	028-14886-000
40	Guard, Fan	026-39437-000	026-39437-000	026-39437-000	026-42283-000
41	Grommet, Isolator (Comp) (Pkg. of 4)	028-10505-000	028-10505-000	028-10505-000	028-10505-000
42*	Grommet, Isolator (Accumulator)	1212-006	1212-006	1212-006	1212-006
43					
44	Bolt, Compressor (4 Req'd)	021-18391-000	021-18391-000	021-18391-000	021-18391-000
45*	Screw, Black #10 x 3/8"	021-18396-000	021-18396-000	021-18396-000	021-18396-000
46*	Screw, Black #10 x 3/4"	021-18397-000	021-18397-000	021-18397-000	021-18397-000
47*	Screw, #8 x 1-1/4" (Base Valve)	021-18398-000	021-18398-000	021-18398-000	021-18398-000
48*	Diagram, Wiring	035-19618-002	035-19618-002	035-19618-002	035-19618-002
49*	Wiring Harness, Control	373-26955-003	373-26955-003	373-26955-003	373-26955-003
50*	Wiring Harness, Fan	373-20055-004	373-20055-004	373-20055-004	373-20055-004
51*	Wiring Harness, Low Voltage	373-26955-002	373-26955-002	373-26955-002	373-26955-002
52	Kit, Motor Mounting (Acorn Nuts)	363-90117-700	363-90117-700	363-90117-700	363-90117-700
53*	Grommet, Plastic (Spacer, 2 Req'd)	028-14880-000	028-14880-000	028-14880-000	028-14880-000
54	Knurled Valve Cap - 1/4" OD	023-10745-000	023-10745-000	023-10745-000	023-10745-000
55*	Insulation Door - Small	010-06922-006	010-06922-006	010-06922-006	---
	Insulation Door - Large	---	---	---	010-06922-007
56*	Sensor, Discharge Temperature	031-01278-000	031-01278-000	031-01278-000	031-01278-000
57*	Harness, Solenoid Coil	1456-9771	1456-9771	1456-9771	1456-9771
58*	Check Valve w/Muffler	---	---	---	022-09077-000

**NOTE:** \*Not Shown  
New replacement parts shown in **bold** face type at the first printing of parts list dated 4/09.  
Major components and suggested stocking items are shown with shaded item number.  
"←" Across from row indicates a change in that row.  
--- Not applicable to specified model.

ITEM	DESCRIPTION	HC3A042F1A	HC3A048F1A	HC3A060F1A
1	Compressor	015-03703-004	015-03710-004	015-04177-004
2*	Compressor Harness	025-31884-000	025-31884-000	025-31884-000
3	Motor, Direct Drive Fan	024-27596-000	024-27596-000	024-27596-000
4	Capacitor, Run (60/5MFD) [RC]	024-25033-000	024-25033-000	---
	Capacitor, Run (70/5MFD) [RC]	---	---	024-27616-000
5	Contact, Electrical (40 AMP) [M]	024-25837-000	024-25837-000	024-25837-000
6	Control Pressure (High)	025-33305-068	025-33305-068	025-33305-068
7	Control Pressure (Low)	025-39886-000	025-39886-000	025-39886-000
8	Control Defrost	031-09137-000	031-09137-000	031-09137-000
9	Reversing Valve	025-38947-000	025-38947-000	025-38947-000
10	Sensor, Temperature	031-01276-000	031-01276-000	031-01276-000
11	Ambient Sensor	025-32701-000	025-32701-000	025-32701-000
12	TXV	022-09093-000	022-09092-000	022-09092-000
13	Solenoid Coil (Rev. Valve)	025-38948-000	025-38948-000	025-38948-000
14	Valve Body	022-08982-000	022-08982-000	022-08982-000
15	Distributor Assembly	025-33424-236	025-33424-238	025-33424-238
16	Blade, Fan	026-42370-000	026-42370-000	026-42370-000
17	Coil, Condenser	373-23834-005	373-23834-006	373-23834-006
18	Bulkhead, Large	028-14887-012	028-14887-012	028-14887-012
19	Accumulator Tank	026-25573-007	026-25573-007	026-25573-007
20	Filter/Drier	026-25512-000	026-25512-000	026-25512-000
21	Valve Base, Liquid (3/8")	022-09064-375	022-09064-375	022-09064-375
22	Valve Base, Suction (7/8")	022-09064-875	022-09064-875	022-09064-875
23	Top Cap Assy	028-14888-001	028-14888-001	028-14888-001
24	Access Panel	073-23829-004	073-23829-004	073-23829-004
25	Pan, Base	032-00214-000	032-00214-000	032-00214-000
26	Panel, Top	073-23828-003	073-23828-003	073-23828-003
27	Corner Post, Front (2 Req'd)	073-26917-708	073-26917-708	073-26917-708
28	Corner Post, Access	073-26917-711	073-26917-711	073-26917-711
29	Corner Post, Valve	073-26917-713	073-26917-713	073-26917-713
30	Corner Cover, Access	073-26917-115	073-26917-115	073-26917-115
31	Bracket, Corner Post	073-26917-117	073-26917-117	073-26917-117
32	Coil Guard	073-23830-002	073-23830-002	073-23830-002
33	Guard, Plastic Wire Mesh Coil	028-15464-000	028-15464-000	028-15464-000
34*	Fastener, Push-In (8 Req'd)	021-18381-000	021-18381-000	021-18381-000
35	Wireway	028-15463-000	028-15463-000	028-15463-000
36	Lug, Electrical	025-21798-000	025-21798-000	025-21798-000
37*	Relief, Strain	025-09080-000	025-09080-000	025-09080-000
38*	Bezel Plate Assy (1 Req'd)	028-14889-001	028-14889-001	028-14889-001
39	Handle, Access	028-14886-000	028-14886-000	028-14886-000
40	Guard, Fan	026-42283-000	026-42283-000	026-42283-000
41	Grommet, Isolator (Comp) (Pkg. of 4)	028-10505-000	028-10505-000	028-10505-000
42*	Grommet, Isolator (Accumulator)	1212-006	1212-006	1212-006
43				
44	Bolt, Compressor (4 Req'd)	021-18391-000	021-18391-000	021-18391-000
45*	Screw, Black #10 x 3/8"	021-18396-000	021-18396-000	021-18396-000
46*	Screw, Black #10 x 3/4"	021-18397-000	021-18397-000	021-18397-000
47*	Screw, #8 x 1-1/4" (Base Valve)	021-18398-000	021-18398-000	021-18398-000
48*	Diagram, Wiring	035-19618-002	035-19618-002	035-19618-002
49*	Wiring Harness, Control	373-26955-003	373-26955-003	373-26955-003
50*	Wiring Harness, Fan	373-20055-004	373-20055-004	373-20055-004
51*	Wiring Harness, Low Voltage	373-26955-002	373-26955-002	373-26955-002
52	Kit, Motor Mounting (Acorn Nuts)	363-90117-700	363-90117-700	363-90117-700
53*	Grommet, Plastic (Spacer, 2 Req'd)	028-14880-000	028-14880-000	028-14880-000
54	Knurled Valve Cap, 1/4" OD	023-10745-000	023-10745-000	023-10745-000
55*	Insulation Door - Large	010-06922-007	010-06922-007	010-06922-007
56*	Sensor, Discharge Temperature	031-01278-000	031-01278-000	031-01278-000
57*	Harness, Solenoid Coil	1456-9771	1456-9771	1456-9771

**NOTE:** \*Not ShownNew replacement parts shown in **bold** face type at the first printing of parts list dated 409.

Major components and suggested stocking items are shown with shaded item number.

"←" Across from row indicates a change in that row.

--- Not applicable to specified model.

**TO ORDER AUTHORIZED FACTORY REPLACEMENT PARTS** - Contact your Source1 HVAC Parts Distributor or visit our website at [www.Source1Parts.com](http://www.Source1Parts.com) for a Distributor and Dealer listing.