

FIGURE 1: SINGLE PACKAGE AIR CONDITIONER

Item	Figure	Description	Elect Code	Qty	PAC024H1321A	PAC030H1321A	PAC036H1321A	PAC036H1331A
Compressors								
1	5	Compressor, H29B18UABCA		1	015-03428-004	---	---	---
	5	Compressor, H21J243ABCA		1	---	015-03822-001	---	---
	5	Compressor, H29B30UABCA		1	---	---	015-03424-001	---
	5	Compressor, H29B30UDBLA		1	---	---	---	015-03607-000
1A	5*	Harness, Compressor		1	025-31885-000	025-31885-000	025-31885-000	025-31885-000
2	5	Cushion Mount		4	9435-1081	9435-1081	9435-1081	9435-1081
3	5	Bolt Assembly		4	1048-0033	1048-0033	1048-0033	1048-0033

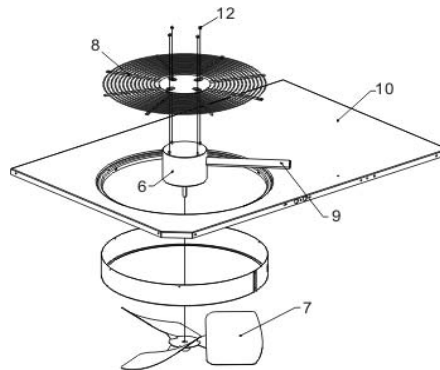


FIGURE 2: CONDENSER ROOF ASSEMBLY

Item	Figure	Description	Elect Code	Qty	PAC024H1321A	PAC030H1321A	PAC036H1321A	PAC036H1331A
Condenser Fan Motor & Air Moving Components								
6	2	Motor, Fan, 1/4HP 230V		1	024-27673-000	024-27673-000	024-27673-000	024-27673-000
7	2	Fan, Propeller, 18"		1	026-34092-000	026-34092-000	---	---
	2	Fan, Propeller, 20"		1	---	---	026-37301-000	026-37301-000
8	2	Guard, Fan		1	026-35516-800	026-35516-800	026-35525-800	026-35525-800
9	2	Wireway, 18"		1	028-13346-000	028-13346-000	---	---
	2	Wireway, 24"		1	---	---	028-13297-000	028-13297-000
10	2	Roof, Condenser		1	373-23806-003	373-23806-003	373-23806-001	373-23806-001
12	2	Kit, Acorn Nuts		1	363-90117-700	363-90117-700	363-90117-700	363-90117-700

NOTE: *Not Shown

New replacement parts shown in **bold** face type at the first printing of parts list dated 11/07.

Major components and suggested stocking items are shown with shaded item number.

"<" across from row indicates a change in that row.

"---" indicates not applicable to specified model.

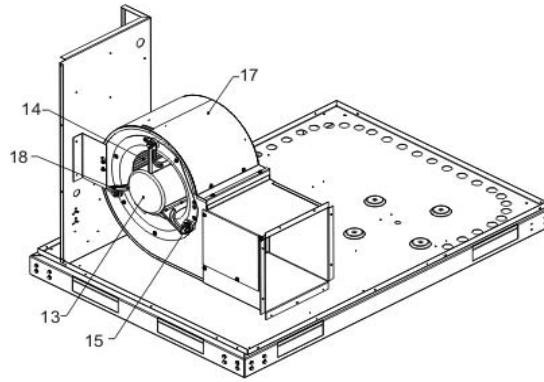


FIGURE 3: BLOWER ASSEMBLY

Item	Figure	Description	Elect Code	Qty	PAC024H1321A	PAC030H1321A	PAC036H1321A	PAC036H1331A
Indoor Blower Motor & Air Moving Components								
13	3	Motor, Blower, 1/2HP X-13		1	024-35326-004	024-35326-005	024-35326-006	024-35326-006
14	3	Wheel		1	1472-2751	1472-2751	1472-2751	1472-2751
15	3*	Kit, Isolator, Motor Mount		1	2702-4091	2702-4091	2702-4091	2702-4091
17	3	Housing, Blower		1	373-23806-010	373-23806-010	373-23806-010	373-23806-010
18	3	Clamp Assembly		1	373-23806-020	373-23806-020	373-23806-020	373-23806-020

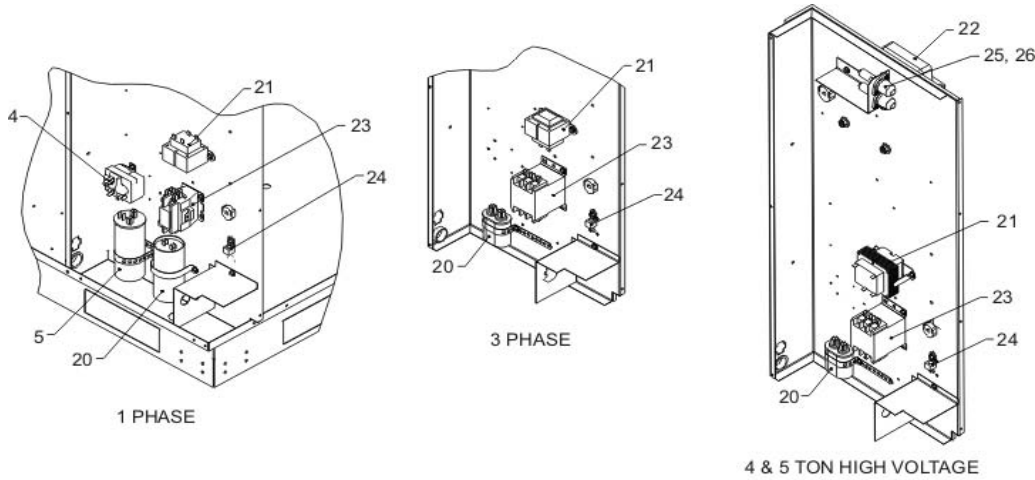


FIGURE 4: CONTROL BOX ASSEMBLY

Item	Figure	Description	Elect Code	Qty	PAC024H1321A	PAC030H1321A	PAC036H1321A	PAC036H1331A
Electric Box								
4	4	Relay, Start		1	024-25394-000	024-25923-000	024-25184-000	---
5	4	Capacitor, Start		1	024-25071-700	024-25076-000	024-25071-700	---
20	4	Capacitor, Run, 30.0/5.0 MFD, 370V	RC1	1	024-24778-000	024-24778-000	---	---
	4	Capacitor, Run, 40.0/5 MFD, 370V	RC1	1	---	---	024-25893-000	---
	4	Capacitor, Run 10.0 MFD, 370V	RC1	1	---	---	---	024-20046-000
21	4	Transformer, 240/24 VAC 40 VA	T1	1	3300-3861	3300-3861	3300-3861	3300-3861
23	4	Contactor, Elec., 1 Pole, 30 Amp 24V	M1	1	024-27531-000	024-27531-000	024-27531-000	---
	4	Contactor, Elec., 3 Pole, 30 Amp 24V	M1	1	---	---	---	024-25842-000
24	4	Lug, Electrical	GND	1	025-21798-000	025-21798-000	025-21798-000	025-21798-000

NOTE: *Not Shown

New replacement parts shown in **bold** face type at the first printing of parts list dated 11/07.

Major components and suggested stocking items are shown with shaded item number.

"<" across from row indicates a change in that row.

"---" indicates not applicable to specified model.



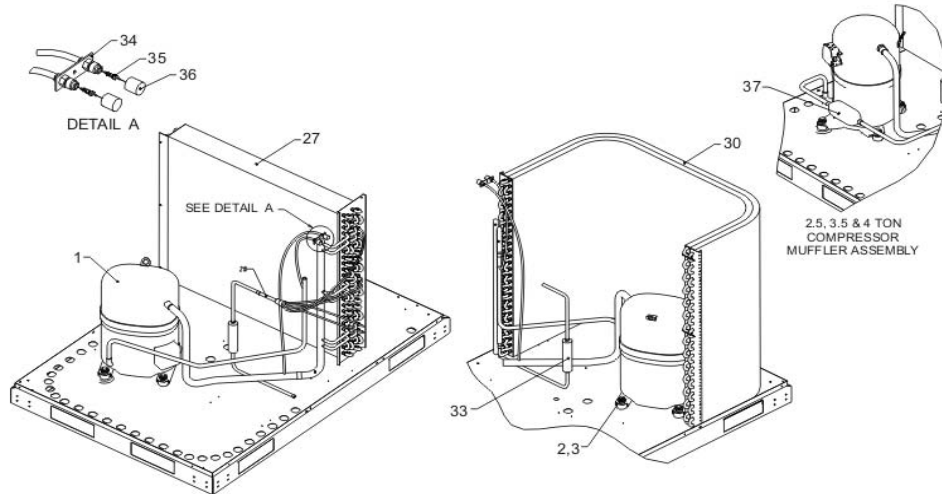


FIGURE 5: REFRIGERANT SYSTEM ASSEMBLY, PIPING COMPONENTS, COMPRESSOR, EVAPORATOR COIL & CONDENSER COIL

Item	Figure	Description	Elect Code	Qty	PAC024H1321A	PAC030H1321A	PAC036H1321A	PAC036H1331A
Evaporator Coil								
27	5	Coil, Evaporator		1	373-23813-007	373-23813-008	373-23813-009	373-23822-001
28	5*	Valve, Distributor, 6 Tube, #60		1	025-39863-007	---	---	---
	5*	Valve, Distributor, 6 Tube, #66		1	---	025-39863-008	---	---
	5*	Valve, Distributor, 6 Tube, #76		1	---	---	025-39863-009	025-39863-009
28A	5*	Orifice, Refrigerant, #60		1	029-24459-000	---	---	---
	5*	Orifice, Refrigerant, #66		1	---	029-24442-000	---	---
	5*	Orifice, Refrigerant, #76		1	---	---	029-24443-000	029-24443-000

Condenser Coil								
30	5	Coil, Condenser		1	373-23813-017	373-23813-017	373-23813-018	373-23813-018

Piping Components								
33	5	Filter Drier		1	029-22156-000	029-22156-000	029-22157-000	029-22157-000
34	5	Valve Body Assembly		1	7436-351	7436-351	7436-351	7436-351
35	5	Valve, Schraeder		2	6103-350	6103-350	6103-350	6103-350
36	5	Cap Seal, 1/4 Flare		2	023-10745-000	023-10745-000	023-10745-000	023-10745-000
37	5	Muffler		1	---	025-39847-000	---	---

Electric Heat								
5 Kw								
*	*	Terminal Block		1	025-39864-000	025-39864-000	025-39864-000	---
*	*	Time Delay (1 Pole)		1	024-35338-000	024-35338-000	024-35338-000	---
*	*	Thermostat, Open 120 / Close 100		1	025-39865-000	025-39865-000	025-39865-000	---
*	*	Heater Kit Wiring Harness		1	025-39866-000	025-39866-000	025-39866-000	---
10 Kw								
*	*	Terminal Block		1	025-39864-000	025-39864-000	025-39864-000	---
*	*	Time Delay (2 Pole)		1	024-35339-000	024-35339-000	024-35339-000	---
*	*	Thermostat, Open 130 / Close 100		2	025-39867-000	025-39867-000	025-39867-000	---
*	*	Heater Kit Wiring Harness		1	025-39868-000	025-39868-000	025-39868-000	---
15 Kw								
*	*	Circuit Breaker (2 Pole 60 Amp)		2	024-35340-000	024-35340-000	024-35340-000	---
*	*	Time Delay (3 Pole W/Jumper Wire)		1	024-35341-000	024-35341-000	024-35341-000	---
*	*	Thermostat, Open 145 / Close 115		3	025-39869-000	025-39869-000	025-39869-000	---
*	*	Heater Kit Wiring Harness		1	025-39870-000	025-39870-000	025-39870-000	---

NOTE: *Not Shown

New replacement parts shown in **bold** face type at the first printing of parts list dated 11/07.
 Major components and suggested stocking items are shown with shaded item number.
 "<" across from row indicates a change in that row.



"---" indicates not applicable to specified model.

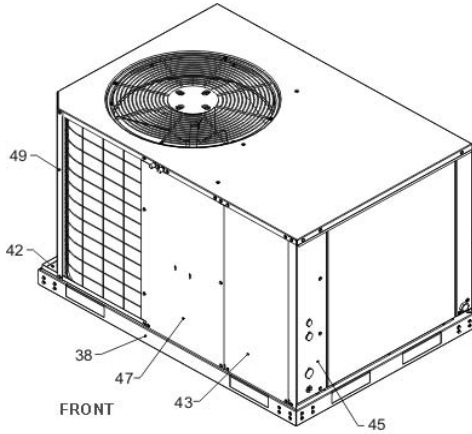


FIGURE 6: CABINET FRONT

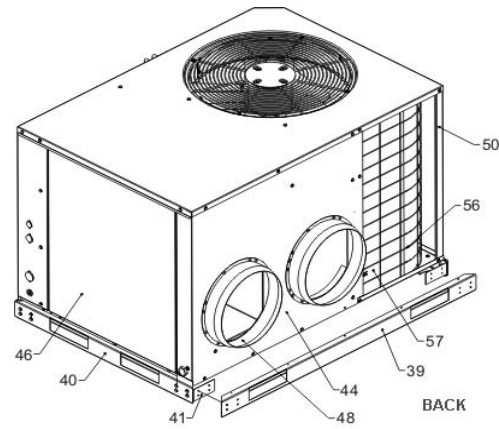


FIGURE 7: CABINET BACK

Item	Figure	Description	Elect Code	Qty	PAC024H1321A	PAC030H1321A	PAC036H1321A	PAC036H1331A
Fabricated Parts								
38	6	Base Rail, Back and Front		2	073-23807-004	073-23807-004	073-23807-002	073-23807-002
40	7	Base Rail, Side		2	073-23807-006	073-23807-006	073-23807-005	073-23807-005
41	7	Bracket, Base Rail		4	073-23807-007	073-23807-007	073-23807-007	073-23807-007
42	6	Base Pan		1	073-23808-003	073-23808-003	073-23808-001	073-23808-001
43	6	Panel, Control Box		1	073-23809-003	073-23809-003	073-23809-001	073-23809-001
44	7	Panel Assembly, Left		1	073-23809-006	073-23809-006	073-23809-004	373-23825-001
45	6	Panel, Corner		1	073-23809-009	073-23809-009	073-23809-007	073-23809-007
46	7	Panel Assembly, Rear		1	373-23809-015	373-23809-015	373-23809-013	373-23809-013
47	6	Panel, Right Side		1	073-23809-012	073-23809-012	073-23809-010	073-23809-010
48	7	Duct Flange		2	7436-2781	7436-2781	7436-2781	7436-2781
49	6	Corner Post		1	073-23826-001	073-23826-001	073-23826-002	073-23826-002
50	7	Corner Post, 24"		1	073-23810-005	073-23810-005	---	---
	7	Corner Post, 28"		1	---	---	073-23810-004	073-23810-004

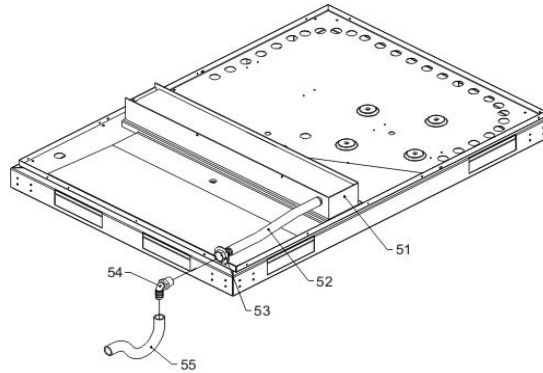


FIGURE 8: DRAIN PAN ASSEMBLY

Item	Figure	Description	Elect Code	Qty	PAC024H1321A	PAC030H1321A	PAC036H1321A	PAC036H1331A
Drain Pan and Accessories								
51	8	Drain Pan		1	7430-300-11	7430-300-11	7430-300-21	7430-300-21
52	8	Drain Pan Tube		1	029-22150-000	029-22150-000	029-22150-000	029-22150-000
53	8	Drain Fitting		1	7430-3011	7430-3011	7430-3011	7430-3011
54	8	Drain Elbow		1	1218-3531	1218-3531	1218-3531	1218-3531
55	8	Drain Tube		1	7430-3031	7430-3031	7430-3031	7430-3031

Coil Guard								
56	7	Coil Guard		1	373-23811-003	373-23811-003	373-23811-001	373-23811-001
57	7	Coil Guard, Plastic Mesh		1	028-14780-000	028-14780-000	028-14781-000	028-14781-000
58	7*	Fastener, Push-in		4	021-18381-000	021-18381-000	021-18381-000	021-18381-000

NOTE: *Not Shown

New replacement parts shown in **bold** face type at the first printing of parts list dated 11/07.
Major components and suggested stocking items are shown with shaded item number.



"<" across from row indicates a change in that row.
 "---" indicates not applicable to specified model.

Item	Figure	Description	Elect Code	Qty	PAC042H1321A	PAC048H1321A	PAC048H1331A	PAC048H1341A
Compressors								
1	5	Compressor, H20J353ABCA		1	015-03784-001	---	---	---
	5	Compressor, H20J403ABCA		1	---	015-03791-001	---	---
	5	Compressor, H20J403DBLA		1	---	---	015-03652-001	---
	5	Compressor, H20J403DBEA		1	---	---	---	015-03682-001
1A	5*	Harness, Compressor		1	025-31885-000	025-31885-000	025-31885-000	025-31885-000
2	5	Cushion Mount		4	9435-1081	9435-1081	9435-1081	9435-1081
3	5	Bolt Assembly		4	1048-0033	1048-0033	1048-0033	1048-0033

Condenser Fan Motor & Air Moving Components								
6	2	Motor, Fan, 1/4HP 230V		1	024-27673-000	---	---	---
	2	Motor, Fan, 1/3HP 230V		1	---	024-35342-000	024-35342-000	---
	2	Motor, Fan, 1/3HP 460V		1	---	---	---	024-35343-000
7	2	Fan, Propeller, 20"		1	026-37301-000	---	---	---
	2	Fan, Prop, 22", 4 Blade, 31° Pitch		1	---	026-42270-000	026-42270-000	026-42270-000
8	2	Guard, Fan		1	026-35525-800	026-33381-001	026-33381-001	026-33381-001
9	2	Wireway, 24"		1	028-13297-000	028-13297-000	028-13297-000	028-13297-000
10	2	Roof, Condenser		1	373-23806-001	373-23806-002	373-23806-002	373-23806-002
12	2	Kit, Acorn Nuts		1	363-90117-700	363-90117-700	363-90117-700	363-90117-700

Indoor Blower Motor & Air Moving Components								
13	3	Motor, Blower, 1/2HP X-13		1	024-35326-007	---	---	---
	3	Motor, Blower, 1HP X-13		1	---	024-35327-004	024-35327-004	024-35327-004
14	3	Wheel		1	1472-2751	026-19654-012	026-19654-012	026-19654-012
15	3*	Kit, Isolator, Motor Mount		1	2702-4091	---	---	---
15	3*	Tube, Neoprene, Isolator		3	---	028-09412-001	028-09412-001	028-09412-001
15A	3*	Washer, Neoprene		3	---	028-09412-002	028-09412-002	028-09412-002
15B	3*	Sleeve, Isolator		3	---	028-14782-000	028-14782-000	028-14782-000
17	3	Housing, Blower		1	373-23806-010	373-23806-011	373-23806-011	373-23806-011
18	3	Clamp Assembly		1	373-23806-020	---	026-31459-000	026-31459-000
19	3*	Cut Off		1	---	---	073-23812-001	073-23812-001

Electric Box								
20	4	Capacitor, Run 10.0 MFD, 370V	RC1	1	---	---	024-20046-000	024-20046-000
	4	Capacitor, Run 45.0/5.0 MFD, 370V	RC1	1	024-25895-000	---	---	---
	4	Capacitor, Run 50.0/5.0 MFD, 370V	RC1	1	---	024-25338-000	---	---
21	4	Transformer, 240/24 VAC 40 VA	T1	1	3300-3861	3300-3861	3300-3861	---
22	4	Transformer, 480V/24V 75VA	T2	1	---	---	---	025-30377-000
23	4	Contact, Elec., 1 Pole, 30 Amp 24V	M1	1	024-25837-000	024-25837-000	024-25842-000	---
	4	Contact, Elec., 3 Pole, 30 Amp 24V	M1	1	---	---	---	024-25842-000
24	4	Lug, Electrical	GND	1	025-21798-000	025-21798-000	025-21798-000	025-21798-000
25	4	Fuse holder, 30 AMP 600V MAX		2	---	---	---	025-17407-000
26	4	Fuse 5 AMP 600V	F1	1	---	---	---	025-37395-000
	4	Fuse 5 AMP 600V	F2	1	---	---	---	025-37395-000

Evaporator Coil								
27	5	Coil, Evaporator		1	373-23813-010	373-23813-011	373-23813-011	373-23813-011
28	5*	Valve, Distributor, 8 Tube, #78		1	025-39863-010	---	---	---
	5*	Valve, Distributor, 7 Tube, #90		1	---	025-39863-011	025-39863-011	025-39863-011
28A	5*	Orifice, Refrigerant, #78		1	029-2444-000	---	---	---
	5*	Orifice, Refrigerant, #90		1	---	029-24445-000	029-24445-000	029-24445-000

Condenser Coil								
30	5	Coil, Condenser		1	373-23813-018	373-23813-019	373-23813-019	373-23813-019

NOTE: *Not Shown
 New replacement parts shown in **bold** face type at the first printing of parts list dated 11/07.

Major components and suggested stocking items are shown with shaded item number.
 "<" across from row indicates a change in that row.
 "---" indicates not applicable to specified model.

Item	Figure	Description	Elect Code	Qty	PAC042H1321A	PAC048H1321A	PAC048H1331A	PAC048H1341A
Piping Components								
33	5	Filter Drier		1	029-22157-000	029-22157-000	---	029-22157-000
34	5	Valve Body Assembly		1	7436-351	7436-351	---	7436-351
35	5	Valve, Schraeder		2	6103-350	6103-350	---	6103-350
36	5	Cap Seal, 1/4 Flare		2	023-10745-000	023-10745-000	---	023-10745-000
37	5	Muffler		1	025-39847-000	025-39847-000	---	025-39847-000

Electric Heat								
5 Kw								
*	*	Terminal Block		1	025-39864-000	025-39864-000	---	---
*	*	Time Delay (1 Pole)		1	024-35338-000	024-35338-000	---	---
*	*	Thermostat, Open 120 / Close 100		1	025-39865-000	025-39865-000	---	---
*	*	Heater Kit Wiring Harness		1	025-39866-000	025-39866-000	---	---
10 Kw								
*	*	Terminal Block		1	025-39864-000	025-39864-000	---	---
*	*	Time Delay (2 Pole)		1	024-35339-000	024-35339-000	---	---
*	*	Thermostat, Open 130 / Close 100		2	025-39867-000	025-39867-000	---	---
*	*	Heater Kit Wiring Harness		1	025-39868-000	025-39868-000	---	---
15 Kw								
*	*	Circuit Breaker (2 Pole 60 Amp)		2	024-35340-000	024-35340-000	---	---
*	*	Time Delay (3 Pole W/Jumper Wire)		1	024-35341-000	024-35341-000	---	---
*	*	Thermostat, Open 145 / Close 115		3	025-39869-000	025-39869-000	---	---
*	*	Heater Kit Wiring Harness		1	025-39870-000	025-39870-000	---	---

Fabricated Parts								
38	6	Base Rail, Back and Front		2	073-23807-002	---	---	---
38	6	Base Rail, Front		1	---	073-23807-001	073-23807-001	073-23807-001
39	7	Base Rail, Back		1	---	073-23807-003	073-23807-003	073-23807-003
40	7	Base Rail, Side		2	073-23807-005	073-23807-005	073-23807-005	073-23807-005
41	7	Bracket, Base Rail		4	073-23807-007	073-23807-007	073-23807-007	073-23807-007
42	6	Base Pan		1	073-23808-001	073-23808-002	073-23808-002	073-23808-002
43	6	Panel, Control Box		1	073-23809-001	073-23809-002	073-23809-002	073-23809-002
44	7	Panel Assembly, Left		1	373-23825-001	073-23809-005	073-23809-005	073-23809-005
45	6	Panel, Corner		1	073-23809-007	073-23809-008	073-23809-008	073-23809-008
46	7	Panel Assembly, Rear		1	373-23809-013	373-23809-014	373-23809-014	373-23809-014
47	6	Panel, Right Side		1	073-23809-010	073-23809-011	073-23809-011	073-23809-011
48	7	Duct Flange		2	7436-2781	073-23812-002	073-23812-002	073-23812-002
49	6	Corner Post		1	073-23826-002	073-23826-003	073-23826-003	073-23826-003
50	7	Corner Post, 28"		1	073-23810-004	---	---	---
	7	Corner Post, 32"		1	---	073-23810-006	073-23810-006	073-23810-006

Drain Pan and Accessories								
51	8	Drain Pan		1	7430-300-21	7430-300-21	7430-300-21	7430-300-21
52	8	Drain Pan Tube		1	029-22150-000	028-15459-000	028-15459-000	028-15459-000
53	8	Drain Fitting		1	7430-3011	7430-3011	7430-3011	7430-3011
54	8	Drain Elbow		1	1218-3531	1218-3531	1218-3531	1218-3531
55	8	Drain Tube		1	7430-3031	7430-3031	7430-3031	7430-3031

Coil Guard								
56	7	Coil Guard		1	026-35526-800	026-42280-000	026-42280-000	373-23811-002
57	7	Coil Guard, Plastic Mesh		1	028-14781-000	028-15458-000	028-15458-000	028-15458-000
58	7*	Fastener, Push-in		4	021-18381-000	021-18381-000	021-18381-000	021-18381-000

NOTE: *Not Shown

New replacement parts shown in **bold** face type at the first printing of parts list dated 11/07.
 Major components and suggested stocking items are shown with shaded item number.
 "<" across from row indicates a change in that row.
 "---" indicates not applicable to specified model.

Item	Figure	Description	Elect Code	Qty	PAC060H1321A	PAC060H1331A	PAC060H1341A
Compressors							
1	5	Compressor, H23R513ABCA		1	015-03718-004	---	---
	5	Compressor, H23R513DBDA		1	---	015-03719-004	---
	5	Compressor, H23R513DBEA		1	---	---	015-03720-004
1A	5*	Harness, Compressor		1	025-31885-000	025-31885-000	025-31885-000
2	5	Cushion Mount		4	9435-1081	9435-1081	9435-1081
3	5	Bolt Assembly		4	1048-0033	1048-0033	1048-0033

Condenser Fan Motor & Air Moving Components							
6	2	Motor, Fan, 1/3HP 230V		1	024-35342-000	024-35342-000	---
	2	Motor, Fan, 1/3HP 460V		1	---	---	024-35343-000
7	2	Fan, Prop, 22", 4 Blade, 31° Pitch		1	026-42270-000	026-42270-000	026-42270-000
8	2	Guard, Fan		1	026-33381-001	026-33381-001	026-33381-001
9	2	Wireway, 24"		1	028-13297-000	028-13297-000	028-13297-000
10	2	Roof, Condenser		1	373-23806-002	373-23806-002	373-23806-002
12	2	Kit, Acorn Nuts		1	363-90117-700	363-90117-700	363-90117-700

Indoor Blower Motor & Air Moving Components							
13	3	Motor, Blower, 1HP X-13		1	024-35327-005	024-35327-005	024-35327-005
14	3	Wheel		1	026-19654-012	026-19654-012	026-19654-012
15	3*	Tube, Neoprene, Isolator		3	028-09412-001	028-09412-001	028-09412-001
15A	3*	Washer, Neoprene		3	028-09412-002	028-09412-002	028-09412-002
15B	3*	Sleeve, Isolator		3	028-14782-000	028-14782-000	028-14782-000
17	3	Housing, Blower		1	373-23806-011	373-23806-011	373-23806-011
18	3	Clamp Assembly		1	026-31459-000	026-31459-000	026-31459-000
19	3*	Cut Off		1	073-23812-001	073-23812-001	073-23812-001

Electric Box							
20	4	Capacitor, Run 10.0 MFD, 370V	RC1	1	---	024-20046-000	024-20046-000
	4	New replacement parts shown in bold face	RC1	1	024-27616-000	---	---
21	4	Transformer, 240/24 VAC 40 VA	T1	1	3300-3861	3300-3861	---
22	4	Transformer, 480V/24V 75 VA	T2	1	---	---	025-30377-000
23	4	Contact, Elec., 1 Pole, 40 Amp 24V	M1	1	024-25837-000	---	---
	4	Contact, Elec., 3 Pole, 30 Amp 24V	M1	1	---	024-25842-000	024-25842-000
24	4	Lug, Electrical	GND	1	025-21798-000	025-21798-000	025-21798-000
25	4	Fuse holder, 30 AMP 600 V MAX		2	---	---	025-17407-000
26	4	Fuse 5 AMP 600V	F1	1	---	---	025-37395-000
	4	Fuse 5 AMP 600V	F2	1	---	---	025-37395-000

Evaporator Coil							
27	5	Coil, Evaporator		1	373-23813-012	373-23813-012	373-23813-012
28	5*	Valve, Distributor, 19 Tube, #92		1	025-39863-012	025-39863-012	025-39863-012
28A	5*	Orifice, Refrigerant, #92		1	029-24446-000	029-24446-000	029-24446-000

Condenser Coil							
30	5	Coil, Condenser		1	373-23813-019	373-23813-019	373-23813-019

Piping Components							
33	5	Filter Drier		1	029-22157-000	029-22157-000	029-22157-000
34	5	Valve Body Assembly		1	024-25071-700	7436-351	024-25071-700
35	5	Valve, Schraeder		2	6103-350	6103-350	6103-350
36	5	Cap Seal, 1/4 Flare		2	023-10745-000	023-10745-000	023-10745-000

NOTE: *Not Shown
 New replacement parts shown in **bold** face type at the first printing of parts list dated 11/07.
 "<" across from row indicates a change in that row.
 "----" indicates not applicable to specified model.

Electric Heat							
5 Kw							
*	*	Terminal Block		1	025-39864-000	---	---
*	*	Time Delay (1 Pole)		1	024-35338-000	---	---
*	*	Thermostat, Open 120 / Close 100		1	025-39865-000	---	---
*	*	Heater Kit Wiring Harness		1	025-39866-000	---	---
10 Kw							
*	*	Terminal Block		1	025-39864-000	---	---
*	*	Time Delay (2 Pole)		1	024-35339-000	---	---
*	*	Thermostat, Open 130 / Close 100		2	025-39867-000	---	---
*	*	Heater Kit Wiring Harness		1	025-39868-000	---	---
15 Kw							
*	*	Circuit Breaker (2 Pole 60 Amp)		2	024-35340-000	---	---
*	*	Time Delay (3 Pole W/Jumper Wire)		1	024-35341-000	---	---
*	*	Thermostat, Open 145 / Close 115		3	025-39869-000	---	---
*	*	Heater Kit Wiring Harness		1	025-39870-000	---	---

Fabricated Parts							
38	6	Base Rail, Front		1	073-23807-001	073-23807-001	073-23807-001
39	7	Base Rail, Back		1	073-23807-003	073-23807-003	073-23807-003
40	7	Base Rail, Side		2	073-23807-005	073-23807-005	073-23807-005
41	7	Bracket, Base Rail		4	073-23807-007	073-23807-007	073-23807-007
42	6	Base Pan		1	073-23808-002	073-23808-002	073-23808-002
43	6	Panel, Control Box		1	073-23809-002	073-23809-002	073-23809-002
44	7	Panel Assembly, Left		1	073-23809-005	073-23809-005	073-23809-005
45	6	Panel, Corner		1	073-23809-008	073-23809-008	073-23809-008
46	7	Panel Assembly, Rear		1	373-23809-014	373-23809-014	373-23809-014
47	6	Panel, Right Side		1	073-23809-011	073-23809-011	073-23809-011
48	7	Duct Flange		2	073-23812-002	073-23812-002	073-23812-002
49	6	Corner Post		1	073-23826-003	073-23826-003	073-23826-003
50	7	Corner Post, 32"		1	073-23810-006	073-23810-006	073-23810-006

Drain Pan and Accessories							
51	8	Drain Pan		1	7430-300-21	7430-300-21	7430-300-21
52	8	Drain Pan Tube		1	028-15459-000	028-15459-000	028-15459-000
53	8	Drain Fitting		1	7430-3011	7430-3011	7430-3011
54	8	Drain Elbow		1	1218-3531	1218-3531	1218-3531
55	8	Drain Tube		1	7430-3031	7430-3031	7430-3031

Coil Guard							
56	7	Coil Guard		1	373-23811-002	373-23811-002	373-23811-002
57	7	Coil Guard, Plastic Mesh		1	028-15458-000	028-15458-000	028-15458-000
58	7*	Fastener, Push-in		4	021-18381-000	021-18381-000	021-18381-000

NOTE: *Not Shown

New replacement parts shown in **bold** face type at the first printing of parts list dated 11/07.

Major components and suggested stocking items are shown with shaded item number.

"<" across from row indicates a change in that row.

"----" indicates not applicable to specified model.



TO ORDER AUTHORIZED FACTORY REPLACEMENT PARTS- Contact your Source 1 HVAC Parts Distributor or visit our website at www.Source1Parts.com for a Distributor and Dealer listing

Subject to change without notice. Printed in U.S.A.

Copyright © by York International Corp. 2007 All rights reserved.

035-21137-001 Rev E (1107)

Supersedes: 035-21137-001 Rev. D (0707)

**Unitary
Products
Group**

**5005
York
Drive**

**Norman
OK
73069**