



www.Source1Parts.com

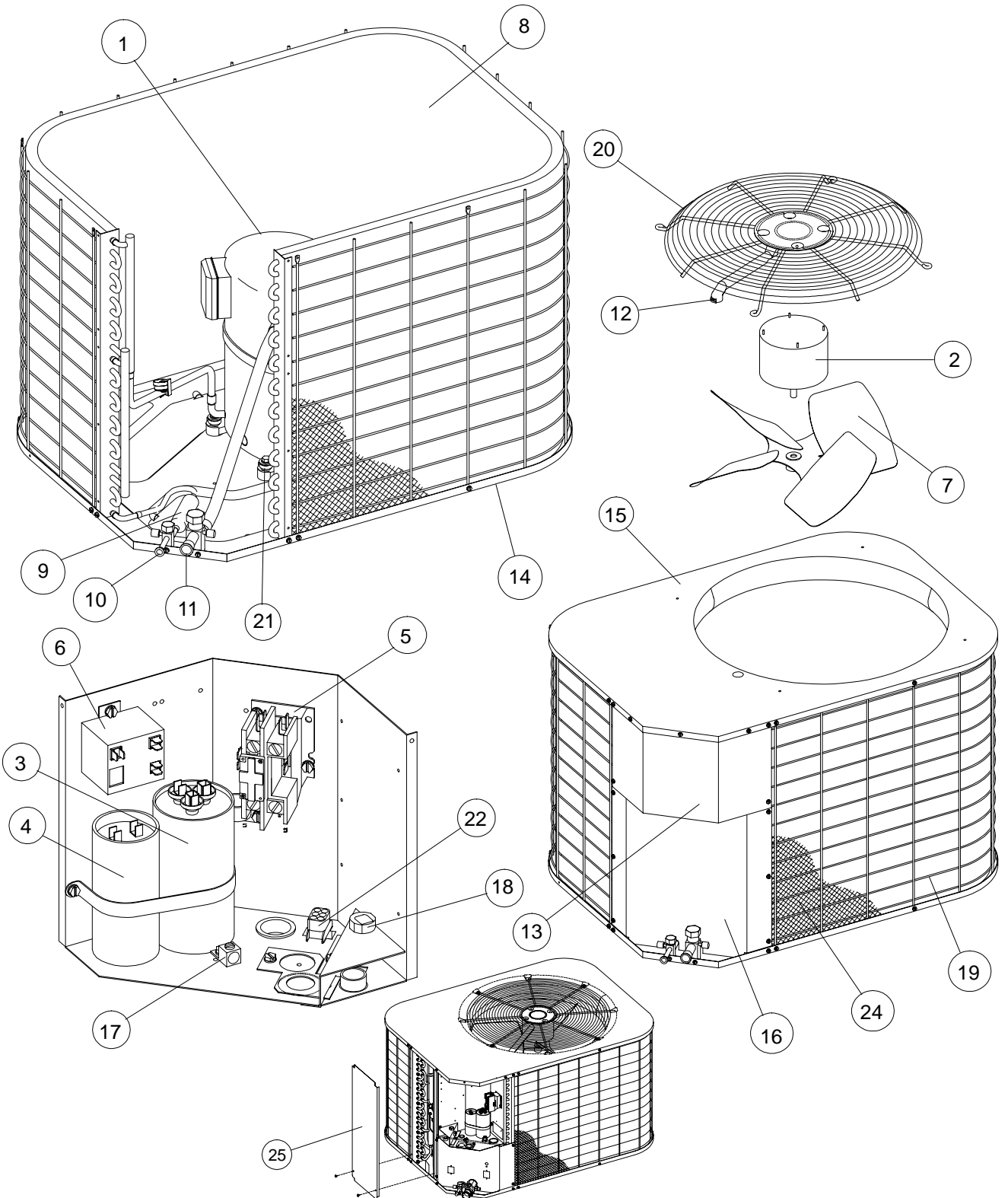
HVAC SERVICE PARTS

ERCS SERIES, 13 SEER X3 (2ND GEN) AIR CONDITIONER (STYLE B&C)

Supersedes:035-21217-001 Rev. E (0408)

035-21217-001 Rev. F (0409)

1 of 4



ITEM	DESCRIPTION	ERCS0181BBB	ERCS0181BBC	ERCS0241BBB	ERCS0301BBB
1	Compressor, Hermetic	S1-01503848001	S1-01504085001	S1-01503428004	S1-01503806001
1A*	Compressor Plug Harness	S1-02531883000	S1-02531883000	S1-02531884000	S1-02531884000
2	Motor, Direct Drive Fan	S1-02435328000	S1-02435328000	S1-02426029000	S1-02427596000
3	Capacitor, Run (35/5) [RC]	S1-02423998000	S1-02423998000	---	---
	Capacitor, Run (30/5) [RC]	---	---	S1-02424778000	S1-02424778000
4*	Capacitor, Start	---	---	S1-02425062000	---
5	Contact, Electrical (30 Amp) [M]	S1-02427531000	S1-02427531000	S1-02427531000	S1-02427531000
6*	Relay, Start	---	---	S1-02425916000	---
7	Blade, Fan (18")	S1-02634754000	S1-02634754000	---	---
	Blade, Fan (22")	---	---	S1-02634097000	S1-02634593000
8	Coil, Outdoor	S1-37323816001	S1-37323816001	S1-37319800004	S1-37323816003
9	Drier, Filter	S1-02922156000	S1-02922156000	S1-02922156000	S1-02922156000
10	Valve, Liquid (3/8")	S1-02531899000	S1-02531899000	S1-02531899000	S1-02531899000
11	Valve, Suction (3/4")	S1-02531900000	S1-02531900000	S1-02531900000	S1-02531900000
12	Wireway	S1-02813215000	S1-02813215000	S1-02813216001	S1-02813216001
13	Cover, Electrical Box	S1-07320018001	S1-07320018001	S1-07320018001	S1-07320018001
14	Pan, Base	S1-07320045001	S1-07320045001	S1-07320004801	S1-07320004801
15	Panel, Top	S1-07320011001	S1-07320011001	S1-07320042801	S1-07320042801
16	Plate, Blockoff	S1-07323819001	S1-07323819001	S1-07320002801	S1-07320002801
17	Lug, Ground	S1-02521798000	S1-02521798000	S1-02521798000	S1-02521798000
18	Relief, Strain	S1-02509687000	S1-02509687000	S1-02509687000	S1-02509687000
19	Guard, Coil	S1-37323859005	S1-37323859005	S1-37323835002	S1-37323835002
20	Guard, Fan	S1-02635511818	S1-02635511818	S1-02635511822	S1-02635511822
21	Mount, Cushion (4 Req'd)	S1-9435-1081	S1-9435-1081	S1-9435-1081	S1-9435-1081
22	Plug, Electrical	S1-02533306006	S1-02533306006	S1-02533306006	S1-02533306006
23*	Diagram, Wiring	035-15861-501	035-15861-501	035-15861-501	035-15861-501
24	Coil Guard, Plastic Mesh	S1-02815460000	S1-02815460000	S1-02814728000	S1-02814728000
25	Panel, Filler	---	---	---	---
26*	Harness, Wiring	S1-37320055004	S1-37320055004	---	S1-37320055004
27*	Kit, Acorn Nut	S1-36390117700	S1-36390117700	S1-36390117700	S1-36390117700
28*	Check Valve w/Muffler	S1-02209277000	---	---	S1-02209277000
	Check Valve	---	S1-02211518000	---	---

NOTE: *Not Shown

New replacement parts shown in **bold** face type at the first printing of parts list dated 4/09.

Major components and suggested stocking items are shown with shaded item number.

"<" Across from row indicates a change in that row.

--- Not applicable to specified model.



ITEM	DESCRIPTION	ERCS0361BBB	ERCS0421BBB	ERCS0481BBB	ERCS0601BBB
1	Compressor, Hermetic	S1-01503807001	S1-01503784001	S1-01503710004	S1-01504177004
1A*	Compressor Plug Harness	S1-02531884000	S1-02531884000	S1-02531884000	S1-02531884000
2	Motor, Direct Drive Fan	S1-02427596000	S1-02427596000	S1-02427596000	S1-02427596000
3	Capacitor, Run (35/5) [RC]	---	S1-02423998000	---	---
	Capacitor, Run (40/5) [RC]	S1-02425893000	---	---	---
	Capacitor, Run (60/5) [RC]	---	---	S1-02425033000	---
	Capacitor, Run (70/5) [RC]	---	---	---	S1-02427616000
4*	Capacitor, Start	---	S1-02425215000	---	---
5	Contact, Electrical (30 Amp) [M]	S1-02427531000	S1-02427531000	S1-02427531000	S1-02427531000
6*	Relay, Start	---	S1-02425053000	---	---
7	Blade, Fan (22")	S1-02634094000	S1-02634094000	---	---
	Blade, Fan (24")	---	---	S1-02635437000	S1-02635437000
8	Coil, Outdoor	S1-37323782001	S1-37323782002	S1-37323782003	S1-37323816004
9	Drier, Filter	S1-02922156000	S1-02922157000	S1-02634095000	S1-02634095000
10	Valve, Liquid (3/8")	S1-02531899000	S1-02531899000	S1-02531899000	S1-02531899000
11	Valve, Suction (7/8")	S1-02531901000	S1-02531901000	S1-02531901000	S1-02531901000
12	Wireway	S1-02813216001	S1-02813216001	S1-02813297000	S1-02813297000
13	Cover, Electrical Box	S1-07320018001	S1-07320018001	S1-07320018001	S1-07320018001
14	Pan, Base	S1-07320004801	S1-07320004801	S1-07319001500	S1-07319001500
15	Panel, Top	S1-07320042801	S1-07320042801	S1-07323757001	S1-07323757001
16	Plate, Blockoff	S1-07320002801	S1-07320002804	S1-07323791002	S1-07320002804
17	Lug, Ground	S1-02521798000	S1-02521798000	S1-02521798000	S1-02521798000
18	Relief, Strain	S1-02509687000	S1-02509687000	S1-02509687000	S1-02509687000
19	Guard, Coil	S1-37323835002	S1-37323859020	S1-37323859012	S1-37323859003
20	Guard, Fan	S1-02635511822	S1-02635511822	S1-02635511824	S1-02635511824
21	Mount, Cushion (4 Req'd)	S1-9435-1081	S1-9435-1081	S1-02812355000	S1-02812355000
22	Plug, Electrical	S1-02533306006	---	---	---
23*	Diagram, Wiring	035-15861-501	035-15861-501	035-15861-501	035-15861-501
24	Coil Guard, Plastic Mesh	S1-02814728000	S1-02814733000	S1-02814734000	S1-02814734000
25	Panel, Filler	---	---	S1-07323789001	S1-07323758002
26*	Harness, Wiring	S1-37320055004	S1-37320055004	S1-37320055004	S1-37320055004
27*	Kit, Acorn Nut	S1-36390117700	S1-36390117700	S1-36390117700	S1-36390117700
28*	Check Valve w/Muffler	S1-02209277000	---	---	---
	Muffler	---	S1-02539847000	---	---

NOTE: *Not ShownNew replacement parts shown in **bold** face type at the first printing of parts list dated 4/09.

Major components and suggested stocking items are shown with shaded item number.

"←" Across from row indicates a change in that row.

--- Not applicable to specified model.

NOTES

TO ORDER AUTHORIZED FACTORY REPLACEMENT PARTS - Contact your Source1 HVAC Parts Distributor or visit our website at www.Source1Parts.com for a Distributor and Dealer listing.