



www.Source1Parts.com

HVAC SERVICE PARTS

FRHS SERIES - 14 SEER X3 HEAT PUMP (R-22, STYLE A&B)

Supersedes:035-21249-001 Rev. C (0908)

035-21249-001 Rev. D (1108)

1 of 2

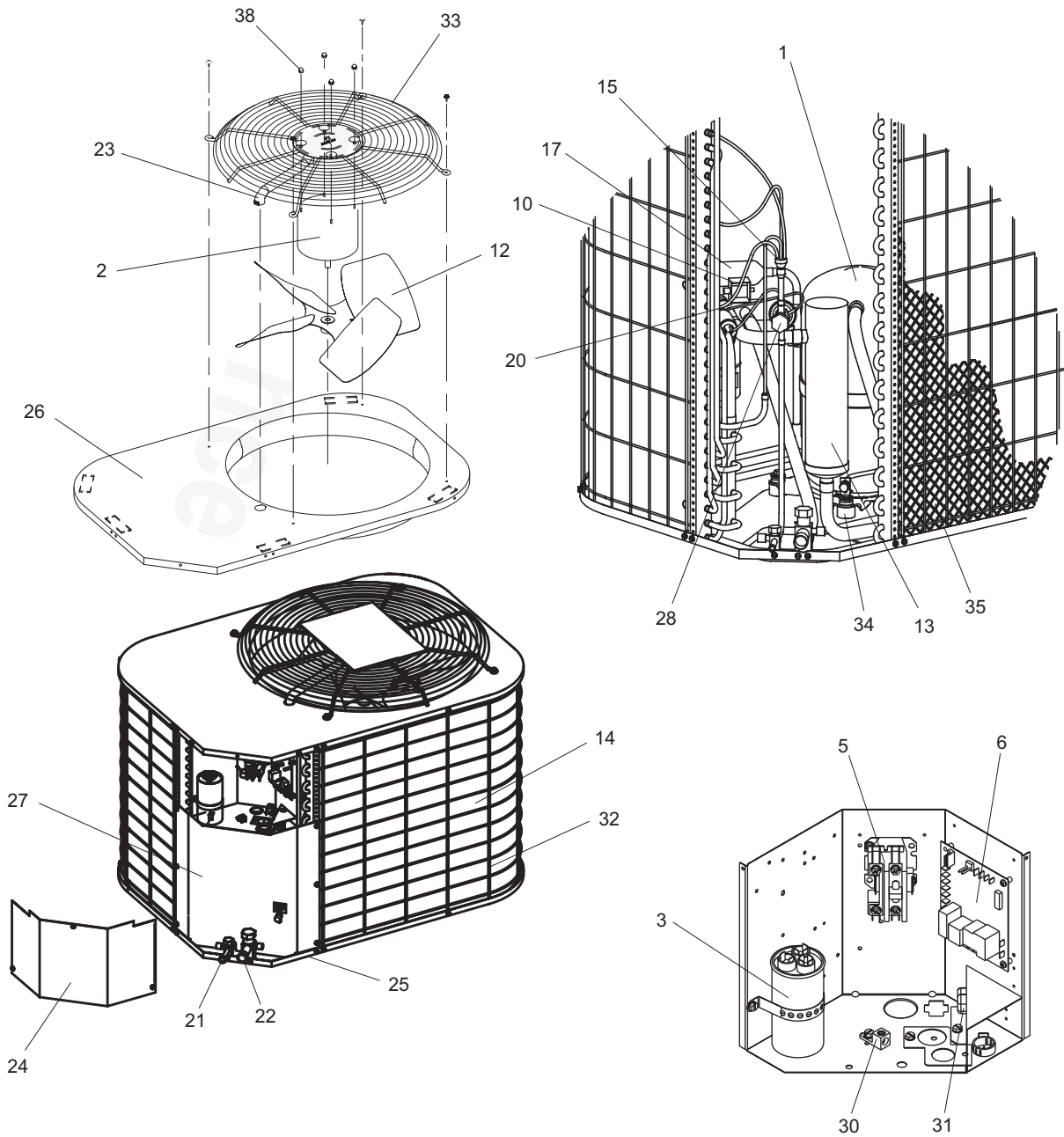


FIG	ITEM	DESCRIPTION	FRHS0181BEA	FRHS0181BEB	<
1	1	Compressor	S1-01503848001	S1-01504086001	
*	1A	Harness, Compressor	S1-02531884000	S1-02531884000	
1	2	Motor, Fan	S1-02426029000	S1-02426029000	
1	3	Capacitor, Run (35/5MFD) [RC]	S1-02423998000	S1-02423998000	
*	4	Sensor, Temperature	S1-02532701016	S1-02532701016	
1	5	Contact, Electrical (30 amp) [M]	S1-02427531000	S1-02427531000	
1	6	Control, Defrost	S1-03101975102	S1-03101975102	
*	7	Control, Pressure	S1-02533305048	S1-02533305048	
*	8	Sensor, Liquid Replacement	S1-03101276000	S1-03101276000	
	9				
1	10	Coil, Solenoid	S1-02538948000	S1-02538948000	
	11				
1	12	Blade, Fan	S1-02639474000	S1-02639474000	
1	13	Accumulator	S1-02634089000	S1-02634089000	
1	14	Coil, Condenser	S1-37323787002	S1-37323787002	
1	15	Distributor Assembly	S1-02533424233	S1-02533424233	
	16				
1	17	Check Valve w/Muffler	S1-02209077000	---	
		Check Valve	---	S1-02211518000	
*	18	Filter Drier	S1-1458-0011	S1-1458-0011	
	19				
1	20	Valve, Reversing	S1-02538945000	S1-02538945000	
1	21	Valve, Liquid (3/8")	S1-02531899000	S1-02531899000	
1	22	Valve, Suction (3/4")	S1-02531900000	S1-02531900000	
1	23	Wireway, (Electric Channel)	S1-02813216001	S1-02813216001	
1	24	Cover, Electric Box	S1-07320018001	S1-07320018001	
1	25	Base, Pan	S1-07320004801	S1-07320004801	
1	26	Panel, Top	S1-07320042801	S1-07320042801	
1	27	Plate, Block-Off	S1-07323791001	S1-07323791001	
1	28	TXV	S1-02539911000	S1-02539911000	
*	29	Harness, Reversing Valve (Solenoid)	S1-02531923000	S1-02531923000	
1	30	Ground Lug	S1-02521798000	S1-02521798000	
	31				
1	32	Guard, Coil (1 Req'd)	S1-37323859016	S1-37323859016	
1	33	Guard, Fan	S1-02635511822	S1-02635511822	
1	34	Isolator, Compressor (Pkg. of 4)	S1-9435-1081	S1-9435-1081	
1	35	Plastic Mesh, Coil Guard	S1-02815241000	S1-02815241000	
*	36	Fastener, Push-in (4 Req'd)	S1-02118381000	S1-02118381000	
*	37	Diagram, Wiring	125830	125830	
1	38	Kit, Motor Mounting (Acorn Nuts)	S1-36390117700	S1-36390117700	

NOTE: *Not Shown

New replacement parts shown in **bold** face type at the first printing of parts list dated 11/08.

Major components and suggested stocking items are shown with shaded item number.

"<" Across from row indicates a change in that row.

--- Not applicable to specified model.

Refer to Tech Guide for proper selection of orifice.

TO ORDER AUTHORIZED FACTORY REPLACEMENT PARTS - Contact your Source1 HVAC Parts Distributor or visit our website at www.Source1Parts.com for a Distributor and Dealer listing.