



www.Source1Parts.com

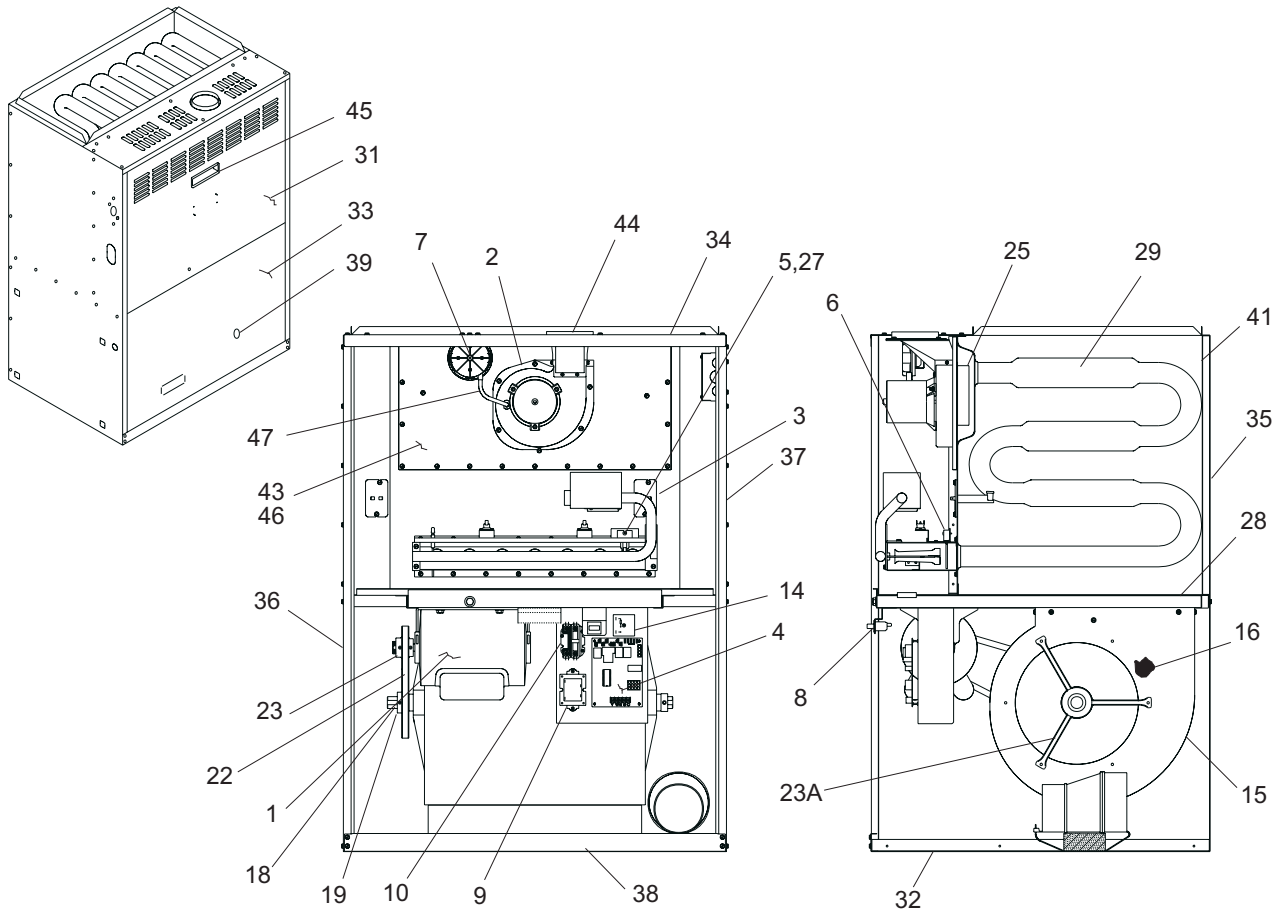
# GY8S - 80% BELT DRIVEN UPFLOW/HORIZONTAL NATURAL GAS FURNACE (STYLE C & D)

**HVAC SERVICE PARTS**

Supersedes: 035-21277-001 Rev. A (0207)

035-21277-001 Rev. B (0909)

1 of 4



**Figure 1: BELT DRIVEN UPFLOW/HORIZONTAL NATURAL GAS FURNACE (80%)**

| FIG               | ITEM | DESCRIPTION                                 | GY8S160E30UH21C | GY8S160E30UH21D |
|-------------------|------|---|-----------------|-----------------|
|                   |      |   | (7 BURNER)      | (7 BURNER)      |
| <b>MOTOR</b>      |      |   |                 |                 |
| 1                 | 1    | MOTOR, BELT DRIVEN BLOWER                   | S1-02425056700  | S1-02425056700  |
| 1                 | 2    | MOTOR, VENTOR ASS'Y                         | S1-02435329000  | S1-02435329000  |
| <b>ELECTRICAL</b> |      |   |                 |                 |
| 1                 | 3    | CONTROL, HIGH LIMIT (2 Req'd)               | S1-02529041004  | S1-02529041004  |
| 1                 | 4    | CONTROL, FURNACE [FC]                       | S1-33102956000  | S1-33102956000  |
| 1                 | 5    | IGNITER                                     | S1-02532625000  | S1-02532625000  |
| 1,2               | 6    | SENSOR, FLAME                               | S1-02527773700  | S1-02527773700  |
| 1                 | 7    | SWITCH, AIR PRESSURE [1LP]                  | S1-02435270000  | S1-02435270000  |
| 1                 | 8    | SWITCH, DOOR                                | S1-02431943000  | S1-02431943000  |
| 1                 | 9    | TRANSFORMER                                 | S1-02530889000  | S1-02530889000  |
| 1                 | 10   | CONTACTOR                                   | S1-02425836700  | S1-02425836700  |
| 2                 | 11   | VALVE, GAS                                  | S1-02537426000  | S1-02537426000  |
| 2                 | 12   | SWITCH, FLAME ROLL-OUT (2 Req'd, [ROS3,4])  | S1-02527747018  | S1-02527747018  |
| 2                 | 13   | CONTROL, FLAME ROLL OUT (2 Req'd, [ROS1,2]) | S1-02527792009  | S1-02527792009  |
| *                 | 13A  | FUSE  | S1-02532746028  | S1-02532746028  |
| 1                 | 14   | RELAY, TIME DELAY                           | S1-03101912000  | S1-03101912000  |

NOTE: \*Not Shown  
 New replacement parts shown in **bold** face type at the first printing of parts list dated 9/09.  
 Major components and suggested stocking items are shown with shaded item number.  
 "<" Across from row indicates a change in that row.



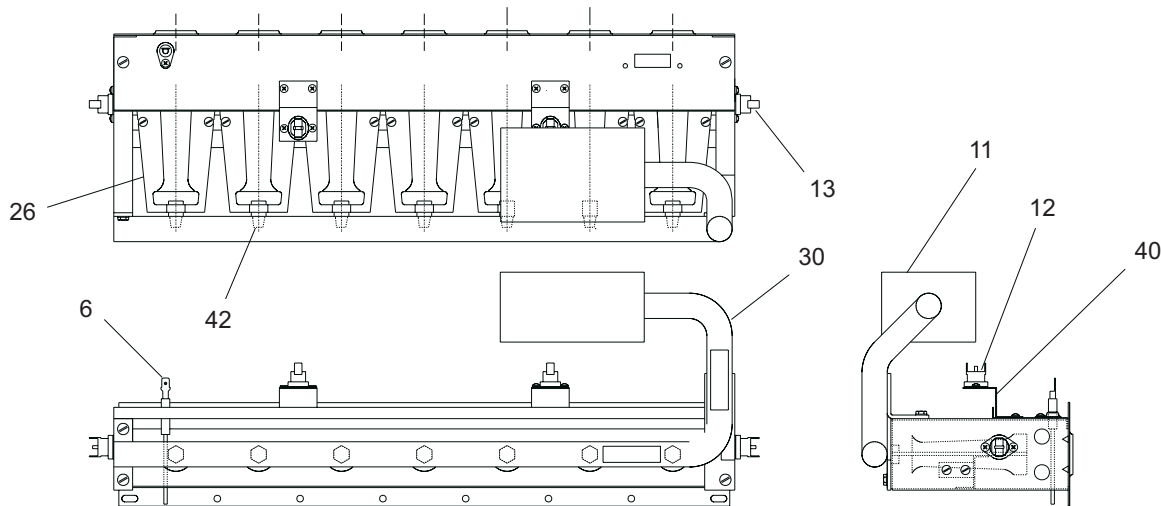


Figure 2: GAS CONTROLS

| FIG.                    | ITEM | DESCRIPTION                    | GY8S160E30UH21C | GY8S160E30UH21D |
|-------------------------|------|--------------------------------|-----------------|-----------------|
|                         |      |                                | (7 BURNER)      | (7 BURNER)      |
| <b>AIR MOVING</b>       |      |                                |                 |                 |
| 1                       | 15   | HOUSING, BLOWER                | S1-37322439001  | S1-37322439001  |
| 1                       | 16   | WHEEL, BLOWER                  | S1-02623831700  | S1-02623831700  |
| *                       | 17   | CUTOFF, BLOWER                 | S1-07320777000  | S1-07320777000  |
| 1                       | 18   | SHAFT, BLOWER                  | S1-02924410000  | S1-02924410000  |
| 1                       | 19   | PULLEY, FIXED (Blower Wheel)   | S1-02815230000  | S1-02815230000  |
| *                       | 20   | SPACER                         | S1-02321552000  | S1-02321552000  |
| *                       | 21   | BEARING, BALL (2 Req'd)        | S1-02908623700  | S1-02908623700  |
| 1                       | 22   | BELT, BLOWER                   | S1-02812422000  | S1-02812422000  |
| 1                       | 23   | PULLEY, VARIABLE (Motor)       | S1-02812361700  | S1-02812361700  |
| 1                       | 23A  | SPIDER, BLOWER                 | S1-02639471000  | S1-02639471000  |
| <b>FABRICATED PARTS</b> |      |                                |                 |                 |
| *                       | 24   | SHIELD, SECONDARY AIR          | S1-07317404007  | S1-07317404007  |
| 1                       | 25   | BAFFLE, FLUE                   | S1-07317775005  | S1-07317775005  |
| 2                       | 26   | BURNER, MAIN GAS               | S1-02920482000  | S1-02920482000  |
| 1                       | 27   | BRACKET, IGNITER               | S1-07317403000  | S1-07317403000  |
| 1                       | 28   | DECK, BLOWER (Rear)            | S1-07322442000  | S1-07322442000  |
| *                       | 28A  | PANEL, BLOWER MOUNTING         | S1-07323756001  | S1-07323756001  |
| 1                       | 29   | HEAT EXCHANGER ASS'Y (Primary) | S1-37323820008  | S1-37323820008  |
| 2                       | 30   | MANIFOLD, GAS                  | S1-02922114006  | S1-02922114006  |
| 1                       | 31   | PANEL, UPPER ACCESS            | S1-07319862306  | S1-07319862306  |
| 1                       | 32   | PANEL, BASE                    | S1-07320756001  | S1-07320756001  |
| 1                       | 33   | PANEL, BLOWER ACCESS           | S1-07319862307  | S1-07319862307  |
| 1                       | 34   | PANEL, TOP                     | S1-07319862304  | S1-07319862304  |
| 1                       | 35   | WRAPPER, REAR                  | S1-07319862303  | S1-07319862303  |
| 1                       | 36   | WRAPPER, CABINET (LH)          | S1-07319862302  | S1-07319862302  |
| 1                       | 37   | WRAPPER, CABINET (RH)          | S1-07319862301  | S1-07319862301  |
| 1                       | 38   | CHANNEL, TOE PLATE             | S1-07319862305  | S1-07319862305  |
| 1                       | 39   | PLUG, WINDOW, CLEAR - .875"    | S1-02530899000  | S1-02530899000  |
| 2                       | 40   | BRACKET, ROLL-OUT SWITCH       | S1-07312033000  | S1-07312033000  |
| 1                       | 41   | SHIELD, HEAT                   | S1-07320968000  | S1-07320968000  |
| *                       | 41A  | BEZE;/LOGO ASSEMBLY            | S1-37323701003  | S1-37323701003  |

NOTE: \*Not Shown  
 New replacement parts shown in **bold** face type at the first printing of parts list code dated 9/09.  
 Major components and suggested stocking items are shown with shaded item number.  
 "<" Across from row indicates a change in that row.



| FIG                  | ITEM | DESCRIPTION                   | GY8S160E30UH21C       | GY8S160E30UH21D <     |
|----------------------|------|-------------------------------|-----------------------|-----------------------|
|                      |      |                               | (7 BURNER)            | (7 BURNER)            |
| <b>MISCELLANEOUS</b> |      |                               |                       |                       |
| 2                    | 42   | ORIFICE, BURNER (Natural #43) | S1-02921182043        | S1-02921182043        |
| 1                    | 43   | PLATE, RESTRICTOR             | S1-07317490256        | S1-07317490256        |
| 1                    | 44   | COLLAR, FLUE                  | S1-07317507000        | S1-07317507000        |
| 1                    | 45   | HANDLE, DOOR                  | S1-02814886000        | S1-02814886000        |
| 1                    | 46   | GASKET, RESTRICTOR PLATE      | S1-02813262000        | S1-02813262000        |
| 1                    | 47   | TUBING, RUBBER                | S1-02812499000        | S1-02812499000        |
| *                    | 48   | SPRING, DOOR (2 Req'd)        | S1-02922119000        | S1-02922119000        |
| *                    | 49   | BRACKET, MOUNT MOTOR          | S1-37320776011        | S1-37320776011        |
| *                    | 50   | DIAGRAM, WIRING               | S1-03520386002        | 272444                |
| *                    | 51   | COLLAR SHAFT                  | S1-02635505000        | S1-02635505000        |
| *                    | 52   | S27 KEYSTOCK 1-1/4" LG.       | S1-02924409000        | S1-02924409000        |
| *                    | 53   | SHIELD, INDUCER               | S1-07319852100        | S1-07319852100        |
| *                    | 54   | HARNESS, MAIN WIRING          | <b>S1-37322304001</b> | <b>S1-02541209000</b> |

NOTE: \*Not Shown

New replacement parts shown in **bold** face type at the first printing of parts list dated 2/07.

Major components and suggested stocking items are shown with shaded item number

"<" Across from row indicates a change in that row.



**TO ORDER AUTHORIZED FACTORY REPLACEMENT PARTS** - Contact your Source1 HVAC Parts Distributor or visit our website at [www.Source1Parts.com](http://www.Source1Parts.com) for a Distributor and Dealer listing.

Subject to change without notice. Printed in U.S.A.  
Copyright © 2009 by Johnson Controls, Inc. All rights reserved.

035-21277-001 Rev. B (0909)  
Supersedes: 035-21277-001 Rev. A (0207)

---

**Johnson Controls Unitary Products**  
**5005 York Drive**  
**Norman, OK 73069**