



www.Source1Parts.com

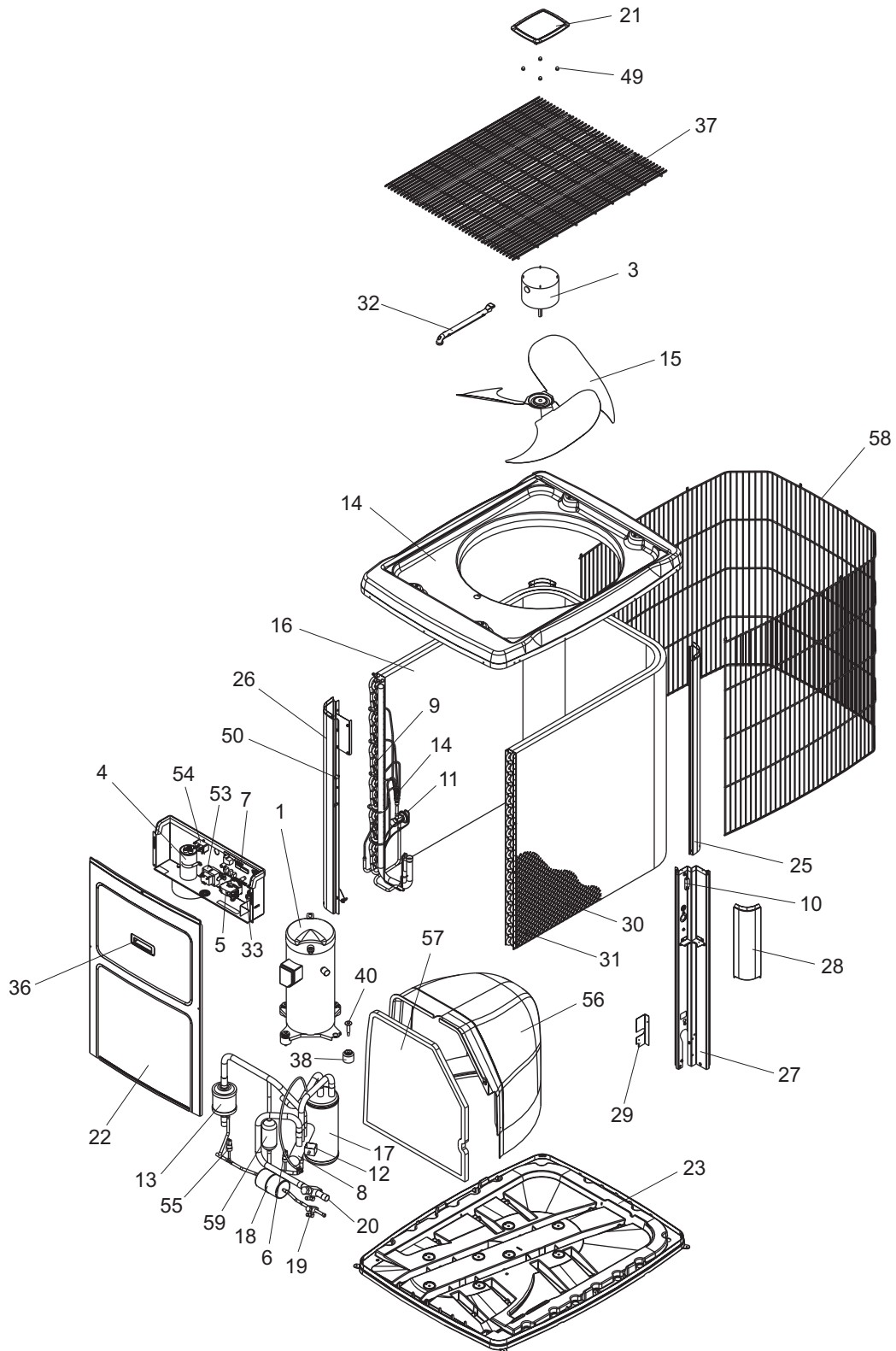
HVAC SERVICE PARTS

HC8 SERIES - 18 SEER HEAT PUMP - OUTDOOR UNIT (R-410A) (STYLE A & B)

Supersedes:035-21374-001 Rev. G (0209)

035-21374-001 Rev. H (0309)

1 of 4



ITEM	DESCRIPTION	HC8B024F1A HC8B024F1B	HC8B036F1A HC8B036F1B
1	Compressor	S1-01503668004	S1-01503669004
2*	Compressor Harness	S1-02531885000	S1-02531885000
3	Motor, Direct Drive Fan	S1-02434672000	S1-02434672000
4	Capacitor, Run (35/5MFD) [RC]	S1-02423998700	---
	Capacitor, Run (40/5MFD) [RC]	---	S1-02425893700
5	Contact, Electrical (40 AMP) [M]	S1-02425837700	S1-02425837700
6	Control Pressure (High)	S1-02538888001	S1-02538888001
7	Control Defrost	S1-03109178000	S1-03109178000
8	Reversing Valve	S1-02538946000	S1-02538946000
9	Sensor, Coil Temperature (3/8" Tube)	S1-03101276000	S1-03101276000
10	Ambient Sensor	S1-02532701000	S1-02532701000
11	TXV	S1-02541339000	S1-02538739042
12	Solenoid Coil (Rev. Valve)	S1-02538948000	S1-02538948000
13	Tank Compensator	S1-02635434000	---
14	Distributor Assembly	S1-02211517000	S1-02211517000
15	Blade, Fan	S1-02642370000	S1-02642284000
16	Coil, Condenser	S1-37327815001	S1-37327815002
17	Accumulator Tank	S1-02625573007	S1-02625573007
18	Filter/Drier	S1-52636219000	S1-52636219000
19	Valve Base, Liquid (3/8")	S1-02209064375	S1-02209064375
20	Valve Base, Suction (3/4")	S1-02209064750	S1-02209064750
21	Top Cap Assy	S1-02814888010	S1-02814888010
22	Access Panel	S1-07323829004	S1-07323829004
23	Pan, Base	S1-03200214000	S1-03200214000
24	Panel, Top (See Note #1)	S1-07327895001	S1-07327895001
25	Corner Post, Front (2 Req'd)	S1-07326917708	S1-07326917708
26	Corner Post, Access	S1-07326917711	S1-07326917711
27	Corner Post, Valve	S1-07326917713	S1-07326917713
28	Corner Cover, Access	S1-07326917115	S1-07326917115
29	Bracket, Corner Post	S1-07326917117	S1-07326917117
30	Guard, Plastic Wire Mesh Coil	S1-02815464000	S1-02815464000
31	Fastener, Push-In (8 Req'd)	S1-02118381000	S1-02118381000
32	Wireway	S1-02815463000	S1-02815463000
33	Lug, Electrical	S1-02521798000	S1-02521798000
34*	Relief, Strain	S1-02509080000	S1-02509080000
35	Bezel Plate	S1-02814889001	S1-02814889001
36	Handle-Access	S1-02814886000	S1-02814886000
37	Guard, Fan (See Note #1)	S1-02642282000	S1-02642282000
38	Grommet, Isolator (Comp) (Pkg. of 4)	S1-02810505000	S1-02810505000
39*	Grommet, Isolator (Accumulator) (2 Req'd)	S1-1212-0061	S1-1212-0061
40	Bolt, Compressor (4 Req'd)	S1-02118391000	S1-02118391000
41*	Screw, Black #10 x 3/8"	S1-02118396000	S1-02118396000
42*	Screw, Black #10 x 3/4"	S1-02118397000	S1-02118397000
43*	Screw, #8 x 1-1/2" Torx Head	S1-02118398000	S1-02118398000
44*	Diagram, Wiring	103180	103180
45*	Wiring Harness, Control	S1-37326955003	S1-37326955003
46*	Wiring Harness, Fan	S1-37320055004	S1-37320055004
47*	Wiring Harness, Solenoid Valve	S1-02531923000	S1-02531923000
48*	Wiring Harness, Solenoid(Comp)	S1-02538936000	S1-02538936000
49	Kit, Motor Mounting (Acorn Nuts)	S1-36390117700	S1-36390117700
50	Grommet, Plastic (Spacer, 2 Req'd)	S1-02814880000	S1-02814880000
51	Knurled Valve Cap, 1/4" OD	S1-02310745000	S1-02310745000
52*	Sensor, Discharge Temperature (1/2" Tube)	S1-03101278000	S1-03101278000
53	Transformer	S1-02518452000	S1-02518452000
54	Relay	S1-3024-3111	S1-3024-3111
55	Switch, Low Pressure	S1-02538889001	S1-02538889001
56	Bulkhead, Large	S1-02815507000	S1-02815507000
57	Insulation, Door	S1-01007631000	S1-01007631000
58	Coil Guard (Formed)	S1-37323830002	S1-37323830002
59*	Muffler	S1-02539847000	S1-02539847000
60	Valve Body	S1-02208982000	S1-02208982000
61			
62*	Wiring Harness, Low Voltage	S1-37326955009	S1-37326955009

<

<

NOTE: *Not ShownNew replacement parts shown in **bold** face type at the first printing of parts list dated 3/09.

Major components and suggested stocking items are shown with shaded item number.

"←" Across from row indicates a change in that row.

--- Not applicable to specified model.

1. Design change - See YS-001-09.

ITEM	DESCRIPTION	HC8B048F1A	HC8B060F1A
		HC8B048F1B	HC8B060F1B
1	Compressor	S1-01503670004	S1-01503671004
2*	Compressor Harness	S1-02531885000	S1-02531885000
3	Motor, Direct Drive Fan	S1-02434672000	S1-02434672000
4	Capacitor, Run (45/5MFD) [RC]	S1-02425895700	---
	Capacitor, Run (80/5MFD) [RC]	---	S1-02426037000
5	Contact, Electrical (40 AMP) [M]	S1-02425837700	S1-02425837700
6	Control Pressure (High)	S1-02538888001	S1-02538888001
7	Control Defrost	S1-03109178000	S1-03109178000
8	Reversing Valve	S1-02538946000	S1-02538947000
9	Sensor, Temperature (3/8" Tube)	S1-03101276000	S1-03101276000
10	Ambient Sensor	S1-02532701000	S1-02532701000
11	TXV	S1-02538739060	S1-02538739070
12	Solenoid Coil (Rev. Valve)	S1-02538948000	S1-02538948000
13	Tank, Compensator	---	S1-02635433000
14	Distributor Assembly	S1-02211517000	S1-02211517000
15	Blade, Fan	S1-02642524000	S1-02642524000
16	Coil, Condenser	S1-37327815003	S1-37327815004
17	Accumulator Tank	S1-02625573007	S1-02625573007
18	Filter/Drier	S1-52636219000	S1-52636219000
19	Valve Base, Liquid (3/8")	S1-02209064375	S1-02209064375
20	Valve Base, Suction (7/8")	S1-02209064875	S1-02209064875
21	Top Cap Assy	S1-02814888010	S1-02814888010
22	Access Panel	S1-07323829004	S1-07323829004
23	Pan, Base	S1-03200214000	S1-03200214000
24	Panel, Top (See Note #1)	S1-07327895001	S1-07327895001
25	Corner Post, Front (2 Req'd)	S1-07326917708	S1-07326917708
26	Corner Post, Access	S1-07326917711	S1-07326917711
27	Corner Post, Valve	S1-07326917713	S1-07326917713
28	Corner Cover, Access	S1-07326917715	S1-07326917715
29	Bracket, Corner Post	S1-07326917717	S1-07326917717
30	Guard, Plastic Wire Mesh Coil	S1-02815464000	S1-02815464000
31	Fastener, Push-In (8 Req'd)	S1-02118381000	S1-02118381000
32	Wireway	S1-02815463000	S1-02815463000
33	Lug, Electrical	S1-02521798000	S1-02521798000
34*	Relief, Strain	S1-02509080000	S1-02509080000
35	Bezel Plate	S1-02814889002	S1-02814889002
36	Handle, Access	S1-02814886000	S1-02814886000
37	Guard, Fan (See Note #1)	S1-02642282000	S1-02642282000
38	Grommet, Isolator (Comp) (Pkg. of 4)	S1-02810505000	S1-02810505000
39*	Grommet, Isolator (Accumulator) (2 Req'd)	S1-1212-0061	S1-1212-0061
40	Bolt, Compressor (4 Req'd)	S1-02118391000	S1-02118391000
41*	Screw, Black #10 x 3/8"	S1-02118396000	S1-02118396000
42*	Screw, Black #10 x 3/4"	S1-02118397000	S1-02118397000
43*	Screw, #8 x 1-1/2" Torx Head	S1-02118398000	S1-02118398000
44*	Diagram, Wiring	103180	103180
45*	Wiring Harness, Control	S1-37326955003	S1-37326955003
46*	Wiring Harness, Fan	S1-37320055004	S1-37320055004
47*	Wiring Harness, Solenoid Valve	S1-02531923000	S1-02531923000
48*	Wiring Harness, Solenoid (Comp)	S1-02538936000	S1-02538936000
49	Kit, Motor Mounting (Acorn Nuts)	S1-36390117700	S1-36390117700
50	Grommet, Plastic (Spacer, 2 Req'd)	S1-02814880000	S1-02814880000
51	Knurled Valve Cap, 1/4" OD	S1-02310745000	S1-02310745000
52*	Sensor, Discharge Temperature (1/2" Tube)	S1-03101278000	S1-03101278000
53	Transformer	S1-02518452000	S1-02518452000
54	Relay	S1-3024-3111	S1-3024-3111
55	Switch, Low Pressure	S1-02538889001	S1-02538889001
56	Bulkhead, Large	S1-02815507000	S1-02815507000
57	Insulation, Door	S1-01007631000	S1-01007631000
58	Coil Guard (Formed)	S1-37323830002	S1-37323830002
59*	Muffler	S1-02539847000	S1-02539847000
60	Valve Body	S1-02208982000	S1-02208982000
61			
62*	Wiring Harness, Low Voltage	S1-37326955009	S1-37326955009

NOTE: *Not ShownNew replacement parts shown in **bold** face type at the first printing of parts list dated 3/09.

Major components and suggested stocking items are shown with shaded item number.

"←" Across from row indicates a change in that row.

--- Not applicable to specified model.

1. Design change - See YS-001-09.

NOTES:

TO ORDER AUTHORIZED FACTORY REPLACEMENT PARTS - Contact your Source1 HVAC Parts Distributor or visit our website at www.Source1Parts.com for a Distributor and Dealer listing.