



www.Source1Parts.com

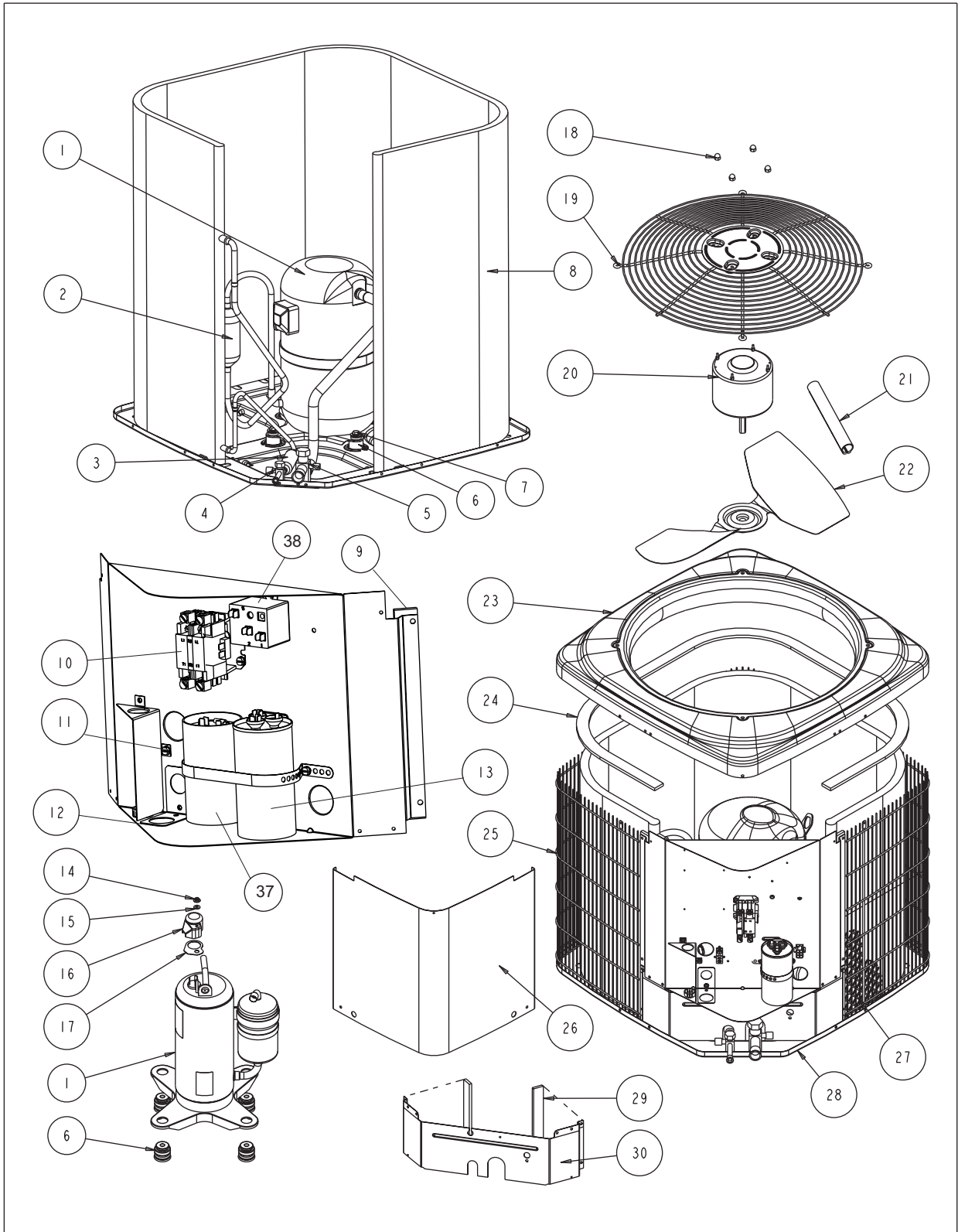
HVAC SERVICE PARTS

# TCGD SERIES - MICROCHANNEL 13 SEER AIR CONDITIONER - R410A WITH FACTORY INSTALLED HARD START (STYLE A)

Supersedes:035-21392-001 Rev. C (1208)

035-21392-001 Rev. D (1208)

1 of 4



ITEM	DESCRIPTION	TCGD18S41S1HA	TCGD24S41S1HA	TCGD30S41S1HA
1	Compressor	S1-01504075004	S1-01504076004	S1-01504077004
2	Muffler	---	---	---
3	Filter Drier	S1-02922195000	S1-02922195000	S1-02922195000
4	Base Valve (3/8") (Liquid)	S1-02531899000	S1-02531899000	S1-02531899000
5	Base Valve (3/4") (Suction)	S1-02531900000	S1-02531900000	S1-02531900000
6	Compressor Mount (Pkg. of 4)	S1-02813397000	S1-02809519000	S1-02809519000
7	Compressor Bolt (4 Req'd)	S1-1048-0033	S1-1048-0033	S1-1048-0033
8	Outdoor Coil Assembly	S1-37327820001	S1-37327820001	S1-37327820001
9#	Foam Strips, Control Box (2 Req'd) (10" Ctrl Box)	S1-02815490000	S1-02815490000	S1-02815490000
	Foam Strips, Control Box (2 Req'd) (14" Ctrl Box)	S1-02815491000	S1-02815491000	S1-02815491000
10	Contactora (30 amp)	S1-02427531000	S1-02427531000	S1-02427531000
11	Lug, Ground	S1-02521798000	S1-02521798000	S1-02521798000
12	Relief, Strain	S1-02522638000	S1-02522638000	S1-02522638000
13	Dual Capacitor (35/5 MFD)	S1-02423998700	S1-02423998700	S1-02423998700
14	Hex Nut, Flange	S1-02118373000	---	---
15	Gasket, Flange Nut	S1-02814700000	---	---
16	Cover, Terminal	S1-02815233000	---	---
17	Gasket, Terminal Cover	S1-02815234000	---	---
18	Kit, Motor Mounting (Acorn Nuts)	S1-36390117700	S1-36390117700	S1-36390117700
19	Guard, Fan	S1-02642483000	S1-02642483000	S1-02642483000
20	Motor, Fan	S1-02435710000	S1-02435328000	S1-02426020700
21	Wireway	S1-02815486000	S1-02815486000	S1-02815486000
22	Blade, Fan	S1-02642490000	S1-02642444000	S1-02642444000
23	Top	S1-07323893001	S1-07323893001	S1-07323893001
24	Molded Foam (A) (Outdoor Coil)	S1-02815508000	S1-02815508000	S1-02815508000
25	Guard, Coil	S1-37327821003	S1-37327821003	S1-37327821003
26#	Cover, Control Box (10" Control Box)	S1-07323895001	S1-07323895001	S1-07323895001
	Cover, Control Box (14" Control Box)	S1-07323895002	S1-07323895002	S1-07323895002
27	Coil Guard, Plastic Mesh	S1-02642492000	S1-02642492000	S1-02642492000
28	Pan, Base	S1-07323894001	S1-07323894001	S1-07323894001
29#	Foam Strips, Blockoff (2 Req'd) (10" Box)	S1-02815522000	S1-02815522000	S1-02815522000
	Foam Strips, Blockoff (2 Req'd) (14" Box)	S1-02815493000	S1-02815493000	S1-02815493000
30#	Panel, Blockoff (used w/10" Control Box)	S1-07327832002	S1-07327832002	S1-07327832002
	Panel, Blockoff (used w/14" Control Box)	S1-07323898003	S1-07323898003	S1-07323898003
31*	Orifice (.048)	S1-02919387038	---	---
	Orifice (.055)	---	S1-02919837014	---
	Orifice (.061)	---	---	S1-02919837003
32*	Bezel Plate	S1-02815487000	S1-02815487000	S1-02815487000
33*	Harness, Main Wiring	S1-37320055004	S1-37320055004	S1-37320055004
34*	Harness, Compressor	---	S1-02531884000	S1-02531884000
35	Wiring Diagram	167242	167242	167242
36*	Fastener, Push-In (6 Req'd)	S1-02118381000	S1-02118381000	S1-02118381000
37	Capactor, Start	S1-02425215700	S1-02431993000	S1-02431993000
38	Relay, Start	S1-02435607000	S1-02425391000	S1-1497-4111
39*	Switch, Pressure	S1-02535359000	S1-02535359000	S1-02535359000
40*	Rubber Mount, Outdoor Coil (6 Req'd)	S1-02815500000	S1-02815500000	S1-02815500000

<  
<

**NOTE:** \*Not Shown  
 New replacement parts shown in **bold** face type at the first printing of parts list dated 12/08.  
 Major components and suggested stocking items are shown with shaded item number.   
 "<" Across from row indicates a change in that row.  
 --- Not applicable to specified model.  
 # See special note page 4.

ITEM	DESCRIPTION	TCGD36S41S1HA	TCGD42S41S1HA	TCGD48S41S1HA
1	Compressor	S1-01504078004	S1-01504079004	S1-01504080004
2	Muffler	---	S1-02539847000	S1-02539847000
3	Filter Drier	S1-02922195000	S1-02922195000	S1-02922195000
4	Base Valve (3/8") (Liquid)	S1-02531899000	S1-02531899000	S1-02531899000
5	Base Valve (3/4") (Suction)	S1-02531900000	---	---
	Base Valve (7/8") (Suction)	---	S1-02531901000	S1-02531901000
6	Compressor Mount (Pkg. of 4)	S1-02809519000	S1-02809519000	S1-02809519000
7	Compressor Bolt (4 Req'd)	S1-1048-0033	S1-1048-0033	S1-1048-0033
8	Outdoor Coil Assembly	S1-37327820002	S1-37327820003	S1-37327820003
9#	Foam Strips, Control Box (2 Req'd) (10" Ctrl Box)	S1-02815490000	S1-02815490000	S1-02815490000
	Foam Strips, Control Box (2 Req'd) (14" Ctrl Box)	S1-02815491000	S1-02815491000	S1-02815491000
10	Contactors (30 amp)	S1-02427531000	S1-02427531000	S1-02427531000
11	Lug, Ground	S1-02521798000	S1-02521798000	S1-02521798000
12	Relief, Strain	S1-02522638000	S1-02522638000	S1-02522638000
13	Dual Capacitor (40/5 MFD)	S1-02425893700	---	---
	Dual Capacitor (45/5 MFD)	---	S1-02425120700	S1-02425120700
14	Hex Nut, Flange	---	---	---
15	Gasket, Flange Nut	---	---	---
16	Cover, Terminal	---	---	---
17	Gasket, Terminal Cover	---	---	---
18	Kit, Motor Mounting (Acorn Nuts)	S1-36390117700	S1-36390117700	S1-36390117700
19	Guard, Fan	S1-02642487000	S1-02642487000	S1-02642487000
20	Motor, Fan	S1-02427596700	S1-02427596700	S1-02427596700
21	Wireway	S1-02815486000	S1-02815486000	S1-02815486000
22	Blade, Fan	S1-02634094000	S1-02642491000	S1-02642491000
23	Top	S1-07323893002	S1-07323893002	S1-07323893002
24	Molded Foam, (B) Outdoor Coil	S1-02815509000	S1-02815509000	S1-02815509000
25	Guard, Coil	S1-37327821014	S1-37327821009	S1-37327821009
26#	Cover, Control Box (10" Control Box)	S1-07323895001	S1-07323895001	S1-07323895001
	Cover, Control Box (14" Control Box)	S1-07323895002	S1-07323895002	S1-07323895002
27	Coil Guard, Plastic Mesh	S1-02642547000	S1-02642546000	S1-02642546000
28	Pan, Base	S1-07323894002	S1-07323894002	S1-07323894002
29#	Foam Strips, Blockoff (2 Req'd)(10" Box)	S1-02815522000	S1-02815523000	S1-02815523000
	Foam Strips, Blockoff (2 Req'd) (14" Box)	S1-02815493000	S1-02815494000	S1-02815494000
30#	Panel, Blockoff (used w/ 10" Control Box)	S1-07327832003	S1-07327832002	S1-07327832002
	Panel, Blockoff (used w/ 14" Control Box)	S1-07323898002	S1-07323898003	S1-07323898003
31*	Orifice (.065)	S1-02919387011	---	---
	Orifice (.075)	---	S1-02919837017	---
	Orifice (.073)	---	---	S1-02919387005
32*	Bezel Plate	S1-02815487000	S1-02815487000	S1-02815487000
33*	Harness, Main Wiring	S1-37320055004	S1-37320055004	S1-37320055004
34*	Harness, Compressor	S1-02531884000	S1-02531884000	S1-02531884000
35*	Wiring Diagram	167242	167242	167242
36*	Fastener, Push-In (6 Req'd)	S1-02118381000	S1-02118381000	S1-02118381000
37	Capactor, Start	S1-02425076700	S1-02425076700	S1-02425076700
38	Relay, Start	S1-02425053000	S1-02425053000	S1-02425053000
39*	Switch, Pressure	S1-02535359000	S1-02535359000	S1-02535359000
40*	Rubber Mount, Outdoor Coil (6 Req'd)	S1-02815500000	S1-02815500000	S1-02815500000

**NOTE:** \*Not ShownNew replacement parts shown in **bold** face type at the first printing of parts list dated 12/08.

Major components and suggested stocking items are shown with shaded item number.

"←" Across from row indicates a change in that row.

--- Not applicable to specified model.

# See special note on page 4.

**Special Note: These units were manufactured with 10" and 14" control boxes. Please verify the control box size before ordering parts for item 9, 26, 29, and 30.**

**TO ORDER AUTHORIZED FACTORY REPLACEMENT PARTS** - Contact your Source1 HVAC Parts Distributor or visit our website at [www.Source1Parts.com](http://www.Source1Parts.com) for a Distributor and Dealer listing.