



www.Source1Parts.com

HVAC SERVICE PARTS

ELECTRIC WALL MOUNTED AIR HANDLERS R22, R410A, AND PISTON MODELS (STYLE A)

Supersedes:035-22024-001 Rev. B (0508)

035-22024-001 Rev. C (0209)

1 of 10

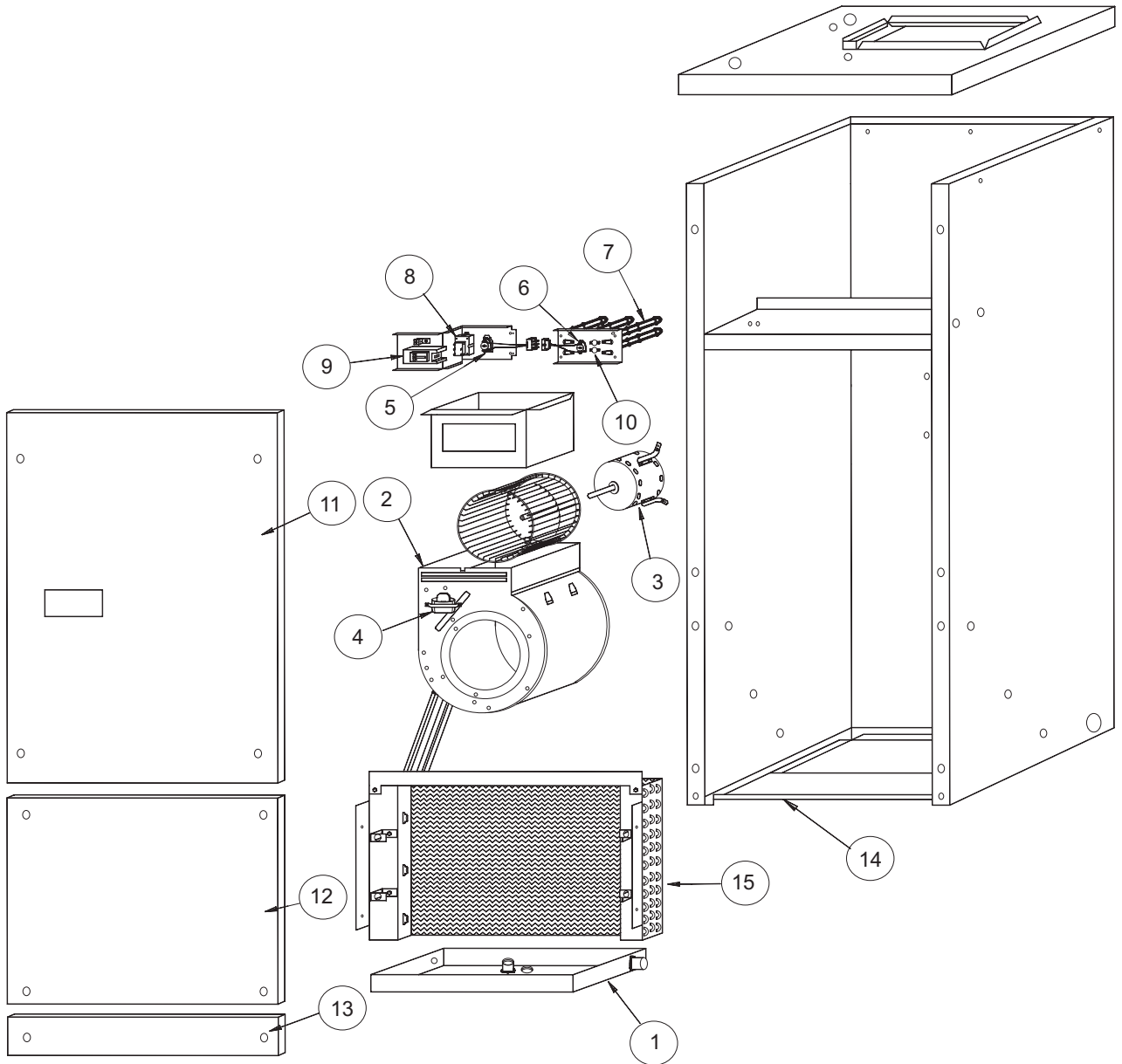


FIGURE 1: WALL MOUNTED AIR HANDLER WITH NO ELECTRIC HEAT - R-22 TXV.

ITEM	DESCRIPTION	EWN182T1N211A	EWN242T1N211A	EWN302T1N211A	EWN362T1N211A
1	Drain Pan	S1-Z46PAN	S1-Z46PAN	S1-Z46PAN	S1-Z46PAN
2	Blower Housing & Wheel	S1-8201	S1-8201	S1-8200	S1-8200
3	Motor	S1-8098	S1-8098	S1-8099	S1-8099
4	Capacitor	S1-8116	S1-8116	S1-8117	S1-8117
5	Blower/Pump Time Delay Relay	S1-8231	S1-8231	S1-8231	S1-8231
6	Heat Sequencer	---	---	---	---
7	Heater	---	---	---	---
8	Transformer	---	---	---	---
9	Circuit Breaker	---	---	---	---
10	Limit Control - 150 Deg.	---	---	---	---
11	Upper Door Assembly	S1-121584	S1-121584	S1-121587	S1-121587
12	Lower Solid Door	S1-121595	S1-121595	S1-121596	S1-121596
	Lower Return Door (Perforated)	S1-121085	S1-121085	S1-121088	S1-121088
13	Bottom Brace	S1-121075	S1-121075	S1-121075	S1-121075
14	Bottom Return Block-Off	S1-121076	S1-121076	S1-121077	S1-121077
15	Coil Assembly	S1-129054	S1-129040	S1-129049	S1-129049
16*	Blower Assembly (Item #2,3,4)	S1-131022	S1-131022	S1-131023	S1-131023
17*	Heat Kit (Item #6,7,8,9,10)	---	---	---	---
18*	TXV	S1-4190	S1-4190	S1-4190	S1-4190
19*	Seal, Circuit Breaker	---	---	---	---
20*	Louvered Access Door Kit	S1-WAD-7L	S1-WAD-7L	S1-WAD-8L	S1-WAD-8L

FIGURE 1: WALL MOUNTED AIR HANDLER WITH 3KW ELECTRIC HEAT - R-22 TXV

ITEM	DESCRIPTION	EWV182T1C03211A	EWV242T1C03211A	EWV302T1C03211A	EWV362T1C03211A
1	Drain Pan	S1-Z46PAN	S1-Z46PAN	S1-Z46PAN	S1-Z46PAN
2	Blower Housing & Wheel	S1-8201	S1-8201	S1-8200	S1-8200
3	Motor	S1-8098	S1-8098	S1-8099	S1-8099
4	Capacitor	S1-8116	S1-8116	S1-8117	S1-8117
5	Blower Time Delay Relay	S1-8231	S1-8231	S1-8231	S1-8231
6	Heat Sequencer	S1-8232	S1-8232	S1-8232	S1-8232
7	Heater	S1-8678	S1-8678	S1-8678	S1-8678
8	Transformer	S1-8246	S1-8246	S1-8246	S1-8246
9	Circuit Breaker	S1-8272	S1-8272	S1-8272	S1-8272
10	Limit Control - 150 Deg.	S1-ASP8515	S1-ASP8515	S1-ASP8515	S1-ASP8515
11	Upper Door Assembly	S1-121584	S1-121584	S1-121587	S1-121587
12	Lower Solid Door	S1-121595	S1-121595	S1-121596	S1-121596
	Lower Return Door (Perforated)	S1-121085	S1-121085	S1-121088	S1-121088
13	Bottom Brace	S1-121075	S1-121075	S1-121075	S1-121075
14	Bottom Return Block-Off	S1-121076	S1-121076	S1-121077	S1-121077
15	Coil Assembly	S1-129054	S1-129040	S1-129049	S1-129049
16*	Blower Assembly (Item #2,3,4)	S1-131022	S1-131022	S1-131023	S1-131023
17*	Heat Kit (Item #6,7,8,9,10)	S1-EK0603211	S1-EK0603211	S1-EK0603211	S1-EK0603211
18*	TXV	S1-4190	S1-4190	S1-4190	S1-4190
19*	Seal, Circuit Breaker	S1-02435672000	S1-02435672000	S1-02435672000	S1-02435672000
20*	Louvered Access Door Kit	S1-WAD-7L	S1-WAD-7L	S1-WAD-8L	S1-WAD-8L

NOTE: *Not ShownNew replacement parts shown in **bold** face type at the first printing of parts list dated 2/09.

Major components and suggested stocking items are shown with shaded item number.

"←" Across from row indicates a change in that row.

--- Not applicable to specified model.

FIGURE 1: WALL MOUNTED AIR HANDLER WITH 5KW ELECTRIC HEAT - R-22 TXV

ITEM	DESCRIPTION	EWV182T1C05211A	EWV242T1C05211A	EWV302T1C05211A	EWV362T1C05211A
1	Drain Pan	S1-Z46PAN	S1-Z46PAN	S1-Z46PAN	S1-Z46PAN
2	Blower Housing & Wheel	S1-8201	S1-8201	S1-8200	S1-8200
3	Motor	S1-8098	S1-8098	S1-8099	S1-8099
4	Capacitor	S1-8116	S1-8116	S1-8117	S1-8117
5	Blower Time Delay Relay	S1-8231	S1-8231	S1-8231	S1-8231
6	Heat Sequencer	S1-8232	S1-8232	S1-8232	S1-8232
7	Heater	S1-8239	S1-8239	S1-8239	S1-8239
8	Transformer	S1-8246	S1-8246	S1-8246	S1-8246
9	Circuit Breaker	S1-8273	S1-8273	S1-8273	S1-8273
10	Limit Control - 150 Deg.	S1-ASP8515	S1-ASP8515	S1-ASP8515	S1-ASP8515
11	Upper Door Assembly	S1-121584	S1-121584	S1-121587	S1-121587
12	Lower Solid Door	S1-121595	S1-121595	S1-121596	S1-121596
	Lower Return Door (Perforated)	S1-121085	S1-121085	S1-121088	S1-121088
13	Bottom Brace	S1-121075	S1-121075	S1-121075	S1-121075
14	Bottom Return Block-Off	S1-121076	S1-121076	S1-121077	S1-121077
15	Coil Assembly	S1-129054	S1-129040	S1-129049	S1-129049
16*	Blower Assembly (Item #2,3,4)	S1-131022	S1-131022	S1-131023	S1-131023
17*	Heat Kit (Item #6,7,8,9,10)	S1-EK0605211	S1-EK0605211	S1-EK0605211	S1-EK0605211
18*	TXV	S1-4190	S1-4190	S1-4190	S1-4190
19*	Seal, Circuit Breaker	S1-02435672000	S1-02435672000	S1-02435672000	S1-02435672000
20*	Louvered Access Door Kit	S1-WAD-7L	S1-WAD-7L	S1-WAD-8L	S1-WAD-8L

FIGURE 1: WALL MOUNTED AIR HANDLER WITH 8KW ELECTRIC HEAT - R-22 TXV

ITEM	DESCRIPTION	EWV182T1C08211A	EWV242T1C08211A	EWV302T1C08211A	EWV362T1C08211A
1	Drain Pan	S1-Z46PAN	S1-Z46PAN	S1-Z46PAN	S1-Z46PAN
2	Blower Housing & Wheel	S1-8201	S1-8201	S1-8200	S1-8200
3	Motor	S1-8098	S1-8098	S1-8099	S1-8099
4	Capacitor	S1-8116	S1-8116	S1-8117	S1-8117
5	Blower/Pump Time Delay Relay	S1-8231	S1-8231	S1-8231	S1-8231
6	Heat Sequencer	S1-8232	S1-8232	S1-8232	S1-8232
7	Heater	S1-8241	S1-8241	S1-8241	S1-8241
8	Transformer	S1-8246	S1-8246	S1-8246	S1-8246
9	Circuit Breaker	S1-8275	S1-8275	S1-8275	S1-8275
10	Limit Control - 150 Deg.	S1-ASP8515	S1-ASP8515	S1-ASP8515	S1-ASP8515
11	Upper Door Assembly	S1-121584	S1-121584	S1-121587	S1-121587
12	Lower Solid Door	S1-121595	S1-121595	S1-121596	S1-121596
	Lower Return Door (Perforated)	S1-121085	S1-121085	S1-121088	S1-121088
13	Bottom Brace	S1-121075	S1-121075	S1-121075	S1-121075
14	Bottom Return Block-Off	S1-121076	S1-121076	S1-121077	S1-121077
15	Coil Assembly	S1-129054	S1-129040	S1-129049	S1-129049
16*	Blower Assembly (Item #2,3,4)	S1-131022	S1-131022	S1-131023	S1-131023
17*	Heat Kit (Item #6,7,8,9,10)	S1-EK0608211	S1-EK0608211	S1-EK0608211	S1-EK0608211
18*	TXV	S1-4190	S1-4190	S1-4190	S1-4190
19*	Seal, Circuit Breaker	S1-02435672000	S1-02435672000	S1-02435672000	S1-02435672000
20*	Louvered Access Door Kit	S1-WAD-7L	S1-WAD-7L	S1-WAD-8L	S1-WAD-8L


NOTE: *Not Shown
New replacement parts shown in **bold** face type at the first printing of parts list dated 2/09.
Major components and suggested stocking items are shown with shaded item number. 
"←" Across from row indicates a change in that row.
--- Not applicable to specified model.

FIGURE 1: WALL MOUNTED AIR HANDLER WITH 10KW ELECTRIC HEAT - R-22 TXV

ITEM	DESCRIPTION	EWV182T1C10211A	EWV242T1C10211A	EWV302T1C10211A	EWV362T1C10211A
1	Drain Pan	S1-Z46PAN	S1-Z46PAN	S1-Z46PAN	S1-Z46PAN
2	Blower Housing & Wheel	S1-8201	S1-8201	S1-8200	S1-8200
3	Motor	S1-8098	S1-8098	S1-8099	S1-8099
4	Capacitor	S1-8116	S1-8116	S1-8117	S1-8117
5	Blower/Pump Time Delay Relay	S1-8231	S1-8231	S1-8231	S1-8231
6	Heat Sequencer	S1-8232	S1-8232	S1-8232	S1-8232
7	Heater	S1-8242	S1-8242	S1-8242	S1-8242
8	Transformer	S1-8246	S1-8246	S1-8246	S1-8246
9	Circuit Breaker	S1-8276	S1-8276	S1-8276	S1-8276
10	Limit Control - 150 Deg.	S1-ASP8515	S1-ASP8515	S1-ASP8515	S1-ASP8515
11	Upper Door Assembly	S1-121584	S1-121584	S1-121587	S1-121587
12	Lower Solid Door	S1-121595	S1-121595	S1-121596	S1-121596
	Lower Return Door (Perforated)	S1-121085	S1-121085	S1-121088	S1-121088
13	Bottom Brace	S1-121075	S1-121075	S1-121075	S1-121075
14	Bottom Return Block-Off	S1-121076	S1-121076	S1-121077	S1-121077
15	Coil Assembly	S1-129054	S1-129040	S1-129049	S1-129049
16*	Blower Assembly (Item #2,3,4)	S1-131022	S1-131022	S1-131023	S1-131023
17*	Heat Kit (Item #6,7,8,9,10)	S1-EK0610211	S1-EK0610211	S1-EK0610211	S1-EK0610211
18*	TXV	S1-4190	S1-4190	S1-4190	S1-4190
19*	Seal, Circuit Breaker	S1-02435672000	S1-02435672000	S1-02435672000	S1-02435672000
20*	Louvered Access Door Kit	S1-WAD-7L	S1-WAD-7L	S1-WAD-8L	S1-WAD-8L

FIGURE 1: WALL MOUNTED AIR HANDLER WITH NO ELECTRIC HEAT - R-410A TXV

ITEM	DESCRIPTION	EWN184T1N211A	EWN244T1N211A	EWN304T1N211A	EWN364T1N211A
1	Drain Pan	S1-Z46PAN	S1-Z46PAN	S1-Z46PAN	S1-Z46PAN
2	Blower Housing & Wheel	S1-8201	S1-8201	S1-8200	S1-8200
3	Motor	S1-8098	S1-8098	S1-8099	S1-8099
4	Capacitor	S1-8116	S1-8116	S1-8117	S1-8117
5	Blower/Pump Time Delay Relay	S1-8231	S1-8231	S1-8231	S1-8231
6	Heat Sequencer	---	---	---	---
7	Heater	---	---	---	---
8	Transformer	---	---	---	---
9	Circuit Breaker	---	---	---	---
10	Limit Control - 150 Deg.	---	---	---	---
11	Upper Door Assembly	S1-121584	S1-121584	S1-121587	S1-121587
12	Lower Solid Door	S1-121595	S1-121595	S1-121596	S1-121596
	Lower Return Door (Perforated)	S1-121085	S1-121085	S1-121088	S1-121088
13	Bottom Brace	S1-121075	S1-121075	S1-121075	S1-121075
14	Bottom Return Block-Off	S1-121076	S1-121076	S1-121077	S1-121077
15	Coil Assembly	S1-129054	S1-129040	S1-129049	S1-129049
16*	Blower Assembly (Item #2,3,4)	S1-131022	S1-131022	S1-131023	S1-131023
17*	Heat Kit (Item #6,7,8,9,10)	---	---	---	---
18*	TXV	S1-4200	S1-4200	S1-4200	S1-4200
19*	Seal, Circuit Breaker	S1-02435672000	S1-02435672000	S1-02435672000	S1-02435672000
20*	Louvered Access Door Kit	S1-WAD-7L	S1-WAD-7L	S1-WAD-8L	S1-WAD-8L

NOTE: *Not ShownNew replacement parts shown in **bold** face type at the first printing of parts list dated 2/09.

Major components and suggested stocking items are shown with shaded item number.

"←" Across from row indicates a change in that row.

--- Not applicable to specified model.

FIGURE 1: WALL MOUNTED AIR HANDLER WITH 3KW ELECTRIC HEAT - R-410A TXV

ITEM	DESCRIPTION	EWV184T1C03211A	EWV244T1C03211A	EWV304T1C03211A	EWV364T1C03211A
1	Drain Pan	S1-Z46PAN	S1-Z46PAN	S1-Z46PAN	S1-Z46PAN
2	Blower Housing & Wheel	S1-8201	S1-8201	S1-8200	S1-8200
3	Motor	S1-8098	S1-8098	S1-8099	S1-8099
4	Capacitor	S1-8116	S1-8116	S1-8117	S1-8117
5	Blower/Pump Time Delay Relay	S1-8231	S1-8231	S1-8231	S1-8231
6	Heat Sequencer	S1-8232	S1-8232	S1-8232	S1-8232
7	Heater	S1-8678	S1-8678	S1-8678	S1-8678
8	Transformer	S1-8246	S1-8246	S1-8246	S1-8246
9	Circuit Breaker	S1-8272	S1-8272	S1-8272	S1-8272
10	Limit Control - 150 Deg.	S1-ASP8515	S1-ASP8515	S1-ASP8515	S1-ASP8515
11	Upper Door Assembly	S1-121584	S1-121584	S1-121587	S1-121587
12	Lower Solid Door	S1-121595	S1-121595	S1-121596	S1-121596
	Lower Return Door (Perforated)	S1-121085	S1-121085	S1-121088	S1-121088
13	Bottom Brace	S1-121075	S1-121075	S1-121075	S1-121075
14	Bottom Return Block-Off	S1-121076	S1-121076	S1-121077	S1-121077
15	Coil Assembly	S1-129054	S1-129040	S1-129049	S1-129049
16*	Blower Assembly (Item #2,3,4)	S1-131022	S1-131022	S1-131023	S1-131023
17*	Heat Kit (Item #6,7,8,9,10)	S1-EK0603211	S1-EK0603211	S1-EK0603211	S1-EK0603211
18*	TXV	S1-4200	S1-4200	S1-4200	S1-4200
19*	Seal, Circuit Breaker	S1-02435672000	S1-02435672000	S1-02435672000	S1-02435672000
20*	Louvered Access Door Kit	S1-WAD-7L	S1-WAD-7L	S1-WAD-8L	S1-WAD-8L

FIGURE 1: WALL MOUNTED AIR HANDLER WITH 5KW ELECTRIC HEAT - R-410A TXV.

ITEM	DESCRIPTION	EWV184T1C05211A	EWV244T1C05211A	EWV304T1C05211A	EWV364T1C05211A
1	Drain Pan	S1-Z46PAN	S1-Z46PAN	S1-Z46PAN	S1-Z46PAN
2	Blower Housing & Wheel	S1-8201	S1-8201	S1-8200	S1-8200
3	Motor	S1-8098	S1-8098	S1-8099	S1-8099
4	Capacitor	S1-8116	S1-8116	S1-8117	S1-8117
5	Blower/Pump Time Delay Relay	S1-8231	S1-8231	S1-8231	S1-8231
6	Heat Sequencer	S1-8232	S1-8232	S1-8232	S1-8232
7	Heater	S1-8239	S1-8239	S1-8239	S1-8239
8	Transformer	S1-8246	S1-8246	S1-8246	S1-8246
9	Circuit Breaker	S1-8273	S1-8273	S1-8273	S1-8273
10	Limit Control - 150 Deg.	S1-ASP8515	S1-ASP8515	S1-ASP8515	S1-ASP8515
11	Upper Door Assembly	S1-121584	S1-121584	S1-121587	S1-121587
12	Lower Solid Door	S1-121595	S1-121595	S1-121596	S1-121596
	Lower Return Door (Perforated)	S1-121085	S1-121085	S1-121088	S1-121088
13	Bottom Brace	S1-121075	S1-121075	S1-121075	S1-121075
14	Bottom Return Block-Off	S1-121076	S1-121076	S1-121077	S1-121077
15	Coil Assembly	S1-129054	S1-129040	S1-129049	S1-129049
16*	Blower Assembly (Item #2,3,4)	S1-131022	S1-131022	S1-131023	S1-131023
17*	Heat Kit (Item #6,7,8,9,10)	S1-EK0605211	S1-EK0605211	S1-EK0605211	S1-EK0605211
18*	TXV	S1-4200	S1-4200	S1-4200	S1-4200
19*	Seal, Circuit Breaker	S1-02435672000	S1-02435672000	S1-02435672000	S1-02435672000
20*	Louvered Access Door Kit	S1-WAD-7L	S1-WAD-7L	S1-WAD-8L	S1-WAD-8L

NOTE: *Not ShownNew replacement parts shown in **bold** face type at the first printing of parts list dated 2/09.

Major components and suggested stocking items are shown with shaded item number.

“<” Across from row indicates a change in that row.

--- Not applicable to specified model.

FIGURE 1: WALL MOUNTED AIR HANDLER WITH 8KW ELECTRIC HEAT - R-410A TXV

ITEM	DESCRIPTION	EWV184T1C08211A	EWV244T1C08211A	EWV304T1C08211A	EWV364T1C08211A
1	Drain Pan	S1-Z46PAN	S1-Z46PAN	S1-Z46PAN	S1-Z46PAN
2	Blower Housing & Wheel	S1-8201	S1-8201	S1-8200	S1-8200
3	Motor	S1-8098	S1-8098	S1-8099	S1-8099
4	Capacitor	S1-8116	S1-8116	S1-8117	S1-8117
5	Blower/Pump Time Delay Relay	S1-8231	S1-8231	S1-8231	S1-8231
6	Heat Sequencer	S1-8232	S1-8232	S1-8232	S1-8232
7	Heater	S1-8241	S1-8241	S1-8241	S1-8241
8	Transformer	S1-8246	S1-8246	S1-8246	S1-8246
9	Circuit Breaker	S1-8275	S1-8275	S1-8275	S1-8275
10	Limit Control - 150 Deg.	S1-ASP8515	S1-ASP8515	S1-ASP8515	S1-ASP8515
11	Upper Door Assembly	S1-121584	S1-121584	S1-121587	S1-121587
12	Lower Solid Door	S1-121595	S1-121595	S1-121596	S1-121596
	Lower Return Door (Perforated)	S1-121085	S1-121085	S1-121088	S1-121088
13	Bottom Brace	S1-121075	S1-121075	S1-121075	S1-121075
14	Bottom Return Block-Off	S1-121076	S1-121076	S1-121077	S1-121077
15	Coil Assembly	S1-129054	S1-129040	S1-129049	S1-129049
16*	Blower Assembly (Item #2,3,4)	S1-131022	S1-131022	S1-131023	S1-131023
17*	Heat Kit (Item #6,7,8,9,10)	S1-EK0608211	S1-EK0608211	S1-EK0608211	S1-EK0608211
18*	TXV	S1-4200	S1-4200	S1-4200	S1-4200
19*	Seal, Circuit Breaker	S1-02435672000	S1-02435672000	S1-02435672000	S1-02435672000
20*	Louvered Access Door Kit	S1-WAD-7L	S1-WAD-7L	S1-WAD-8L	S1-WAD-8L

FIGURE 1: WALL MOUNTED AIR HANDLER WITH 10KW ELECTRIC HEAT - R-410A TXV

ITEM	DESCRIPTION	EWV184T1C10211A	EWV244T1108211A	EWV304T1C10211A	EWV364T1C10211A
1	Drain Pan	S1-Z46PAN	S1-Z46PAN	S1-Z46PAN	S1-Z46PAN
2	Blower Housing & Wheel	S1-8201	S1-8201	S1-8200	S1-8200
3	Motor	S1-8098	S1-8098	S1-8099	S1-8099
4	Capacitor	S1-8116	S1-8116	S1-8117	S1-8117
5	Blower/Pump Time Delay Relay	S1-8231	S1-8231	S1-8231	S1-8231
6	Heat Sequencer	S1-8232	S1-8232	S1-8232	S1-8232
7	Heater	S1-8242	S1-8242	S1-8242	S1-8242
8	Transformer	S1-8246	S1-8246	S1-8246	S1-8246
9	Circuit Breaker	S1-8276	S1-8276	S1-8276	S1-8276
10	Limit Control - 150 Deg.	S1-ASP8515	S1-ASP8515	S1-ASP8515	S1-ASP8515
11	Upper Door Assembly	S1-121584	S1-121584	S1-121587	S1-121587
12	Lower Solid Door	S1-121595	S1-121595	S1-121596	S1-121596
	Lower Return Door (Perforated)	S1-121085	S1-121085	S1-121088	S1-121088
13	Bottom Brace	S1-121075	S1-121075	S1-121075	S1-121075
14	Bottom Return Block-Off	S1-121076	S1-121076	S1-121077	S1-121077
15	Coil Assembly	S1-129054	S1-129040	S1-129049	S1-129049
16*	Blower Assembly (Item #2,3,4)	S1-131022	S1-131022	S1-131023	S1-131023
17*	Heat Kit (Item #6,7,8,9,10)	S1-EK0610211	S1-EK0610211	S1-EK0610211	S1-EK0610211
18*	TXV	S1-4200	S1-4200	S1-4200	S1-4200
19*	Seal, Circuit Breaker	S1-02435672000	S1-02435672000	S1-02435672000	S1-02435672000
20*	Louvered Access Door Kit	S1-WAD-7L	S1-WAD-7L	S1-WAD-8L	S1-WAD-8L

NOTE: *Not ShownNew replacement parts shown in **bold** face type at the first printing of parts list dated 2/09.

Major components and suggested stocking items are shown with shaded item number.

"←" Across from row indicates a change in that row.

--- Not applicable to specified model.

FIGURE 1: WALL MOUNTED AIR HANDLER WITH NO ELECTRIC HEAT - PISTON MODELS.

ITEM	DESCRIPTION	EWN18055N211A	EWN24059N211A	EWN30068N211A	EWN36074N211A
1	Drain Pan	S1-Z46PAN	S1-Z46PAN	S1-Z46PAN	S1-Z46PAN
2	Blower Housing & Wheel	S1-8201	S1-8201	S1-8200	S1-8200
3	Motor	S1-8098	S1-8098	S1-8099	S1-8099
4	Capacitor	S1-8116	S1-8116	S1-8117	S1-8117
5	Blower/Pump Time Delay Relay	S1-8231	S1-8231	S1-8231	S1-8231
6	Heat Sequencer	---	---	---	---
7	Heater	---	---	---	---
8	Transformer	---	---	---	---
9	Circuit Breaker	---	---	---	---
10	Limit Control - 150 Deg.	---	---	---	---
11	Upper Door Assembly	S1-121584	S1-121584	S1-121587	S1-121587
12	Lower Solid Door	S1-121595	S1-121595	S1-121596	S1-121596
	Lower Return Door (Perforated)	S1-121085	S1-121085	S1-121088	S1-121088
13	Bottom Brace	S1-121075	S1-121075	S1-121075	S1-121075
14	Bottom Return Block-Off	S1-121076	S1-121076	S1-121077	S1-121077
15	Coil Assembly	S1-129054	S1-129040	S1-129049	S1-129049
16*	Blower Assembly (Item #2,3,4)	S1-131022	S1-131022	S1-131023	S1-131023
17*	Heat Kit (Item #6,7,8,9,10)	---	---	---	---
18*	Piston	S1-3999	S1-4000	S1-3987	S1-ASP4001
19*	Seal, Circuit Breaker	---	---	---	---
20*	Louvered Access Door Kit	S1-WAD-7L	S1-WAD-7L	S1-WAD-8L	S1-WAD-8L

FIGURE 1: WALL MOUNTED AIR HANDLER WITH 3KW ELECTRIC HEAT - PISTON MODELS

ITEM	DESCRIPTION	EWV18055C03211A	EWV24059C03211A	EWV30068C03211A	EWV36074C03211A
1	Drain Pan	S1-Z46PAN	S1-Z46PAN	S1-Z46PAN	S1-Z46PAN
2	Blower Housing & Wheel	S1-8201	S1-8201	S1-8200	S1-8200
3	Motor	S1-8098	S1-8098	S1-8099	S1-8099
4	Capacitor	S1-8116	S1-8116	S1-8117	S1-8117
5	Blower/Pump Time Delay Relay	S1-8231	S1-8231	S1-8231	S1-8231
6	Heat Sequencer	S1-8232	S1-8232	S1-8232	S1-8232
7	Heater	S1-8678	S1-8678	S1-8678	S1-8678
8	Transformer	S1-8246	S1-8246	S1-8246	S1-8246
9	Circuit Breaker	S1-8272	S1-8272	S1-8272	S1-8272
10	Limit Control - 150 Deg.	S1-ASP8515	S1-ASP8515	S1-ASP8515	S1-ASP8515
11	Upper Door Assembly	S1-121584	S1-121584	S1-121587	S1-121587
12	Lower Solid Door	S1-121595	S1-121595	S1-121596	S1-121596
	Lower Return Door (Perforated)	S1-121085	S1-121085	S1-121088	S1-121088
13	Bottom Brace	S1-121075	S1-121075	S1-121075	S1-121075
14	Bottom Return Block-Off	S1-121076	S1-121076	S1-121077	S1-121077
15	Coil Assembly	S1-129054	S1-129040	S1-129049	S1-129049
16*	Blower Assembly (Item #2,3,4)	S1-131022	S1-131022	S1-131023	S1-131023
17*	Heat Kit (Item #6,7,8,9,10)	S1-EK0603211	S1-EK0603211	S1-EK0603211	S1-EK0603211
18*	Piston	S1-3999	S1-4000	S1-3987	S1-ASP4001
19*	Seal, Circuit Breaker	S1-02435672000	S1-02435672000	S1-02435672000	S1-02435672000
20*	Louvered Access Door Kit	S1-WAD-7L	S1-WAD-7L	S1-WAD-8L	S1-WAD-8L

NOTE: *Not Shown
New replacement parts shown in **bold** face type at the first printing of parts list dated 2/09.
Major components and suggested stocking items are shown with shaded item number.
"-" Across from row indicates a change in that row.
--- Not applicable to specified model.

FIGURE 1: WALL MOUNTED AIR HANDLER WITH 5KW ELECTRIC HEAT - PISTON MODELS

ITEM	DESCRIPTION	EWV18055C05211A	EWV24059C05211A	EWV30068C05211A	EWV36074C05211A	<
1	Drain Pan	S1-Z46PAN	S1-Z46PAN	S1-Z46PAN	S1-Z46PAN	
2	Blower Housing & Wheel	S1-8201	S1-8201	S1-8200	S1-8200	
3	Motor	S1-8098	S1-8098	S1-8099	S1-8099	
4	Capacitor	S1-8116	S1-8116	S1-8117	S1-8117	
5	Blower/Pump Time Delay Relay	S1-8231	S1-8231	S1-8231	S1-8231	
6	Heat Sequencer	S1-8232	S1-8232	S1-8232	S1-8232	
7	Heater	S1-8239	S1-8239	S1-8239	S1-8239	
8	Transformer	S1-8246	S1-8246	S1-8246	S1-8246	
9	Circuit Breaker	S1-8273	S1-8273	S1-8273	S1-8273	
10	Limit Control - 150 Deg.	S1-ASP8515	S1-ASP8515	S1-ASP8515	S1-ASP8515	
11	Upper Door Assembly	S1-121584	S1-121584	S1-121587	S1-121587	
12	Lower Solid Door	S1-121595	S1-121595	S1-121596	S1-121596	
	Lower Return Door (Perforated)	S1-121085	S1-121085	S1-121088	S1-121088	
13	Bottom Brace	S1-121075	S1-121075	S1-121075	S1-121075	
14	Bottom Return Block-Off	S1-121076	S1-121076	S1-121077	S1-121077	
15	Coil Assembly	S1-129054	S1-129040	S1-129049	S1-129049	
16*	Blower Assembly (Item #2,3,4)	S1-131022	S1-131022	S1-131023	S1-131023	
17*	Heat Kit (Item #6,7,8,9,10)	S1-EK0605211	S1-EK0605211	S1-EK0605211	S1-EK0605211	
18*	Piston	S1-3999	S1-4000	S1-3987	S1-ASP4001	
19*	Seal, Circuit Breaker	S1-02435672000	S1-02435672000	S1-02435672000	S1-02435672000	
20*	Louvered Access Door Kit	S1-WAD-7L	S1-WAD-7L	S1-WAD-8L	S1-WAD-8L	

FIGURE 1: WALL MOUNTED AIR HANDLER WITH 8KW ELECTRIC HEAT - PISTON MODELS

ITEM	DESCRIPTION	EWV18055C08211A	EWV24059C08211A	EWV30068C08211A	EWV36074C08211A	<
1	Drain Pan	S1-Z46PAN	S1-Z46PAN	S1-Z46PAN	S1-Z46PAN	
2	Blower Housing & Wheel	S1-8201	S1-8201	S1-8200	S1-8200	
3	Motor	S1-8098	S1-8098	S1-8099	S1-8099	
4	Capacitor	S1-8116	S1-8116	S1-8117	S1-8117	
5	Blower/Pump Time Delay Relay	S1-8231	S1-8231	S1-8231	S1-8231	
6	Heat Sequencer	S1-8232	S1-8232	S1-8232	S1-8232	
7	Heater	S1-8241	S1-8241	S1-8241	S1-8241	
8	Transformer	S1-8246	S1-8246	S1-8246	S1-8246	
9	Circuit Breaker	S1-8275	S1-8275	S1-8275	S1-8275	
10	Limit Control - 150 Deg.	S1-ASP8515	S1-ASP8515	S1-ASP8515	S1-ASP8515	
11	Upper Door Assembly	S1-121584	S1-121584	S1-121587	S1-121587	
12	Lower Solid Door	S1-121595	S1-121595	S1-121596	S1-121596	
	Lower Return Door (Perforated)	S1-121085	S1-121085	S1-121088	S1-121088	
13	Bottom Brace	S1-121075	S1-121075	S1-121075	S1-121075	
14	Bottom Return Block-Off	S1-121076	S1-121076	S1-121077	S1-121077	
15	Coil Assembly	S1-129054	S1-129040	S1-129049	S1-129049	
16*	Blower Assembly (Item #2,3,4)	S1-131022	S1-131022	S1-131023	S1-131023	
17*	Heat Kit (Item #6,7,8,9,10)	S1-EK0608211	S1-EK0608211	S1-EK0608211	S1-EK0608211	
18*	Piston	S1-3999	S1-4000	S1-3987	S1-ASP4001	
19*	Seal, Circuit Breaker	S1-02435672000	S1-02435672000	S1-02435672000	S1-02435672000	
20*	Louvered Access Door Kit	S1-WAD-7L	S1-WAD-7L	S1-WAD-8L	S1-WAD-8L	

NOTE: *Not Shown
 New replacement parts shown in **bold** face type at the first printing of parts list dated 5/08.
 Major components and suggested stocking items are shown with shaded item number.
 "<" Across from row indicates a change in that row.
 --- Not applicable to specified model.

FIGURE 1: WALL MOUNTED AIR HANDLER WITH 10KW ELECTRIC HEAT - PISTON MODELS

ITEM	DESCRIPTION	EWV18055C10211A	EWV24059C10211A	EWV30068C10211A	EWV36074C10211A
1	Drain Pan	S1-Z46PAN	S1-Z46PAN	S1-Z46PAN	S1-Z46PAN
2	Blower Housing & Wheel	S1-8201	S1-8201	S1-8200	S1-8200
3	Motor	S1-8098	S1-8098	S1-8099	S1-8099
4	Capacitor	S1-8116	S1-8116	S1-8117	S1-8117
5	Blower/Pump Time Delay Relay	S1-8231	S1-8231	S1-8231	S1-8231
6	Heat Sequencer	S1-8232	S1-8232	S1-8232	S1-8232
7	Heater	S1-8242	S1-8242	S1-8242	S1-8242
8	Transformer	S1-8246	S1-8246	S1-8246	S1-8246
9	Circuit Breaker	S1-8276	S1-8276	S1-8276	S1-8276
10	Limit Control - 150 Deg.	S1-ASP8515	S1-ASP8515	S1-ASP8515	S1-ASP8515
11	Upper Door Assembly	S1-121584	S1-121584	S1-121587	S1-121587
12	Lower Solid Door	S1-121595	S1-121595	S1-121596	S1-121596
	Lower Return Door (Perforated)	S1-121085	S1-121085	S1-121088	S1-121088
13	Bottom Brace	S1-121075	S1-121075	S1-121075	S1-121075
14	Bottom Return Block-Off	S1-121076	S1-121076	S1-121077	S1-121077
15	Coil Assembly	S1-129054	S1-129040	S1-129049	S1-129049
16*	Blower Assembly (Item #2,3,4)	S1-131022	S1-131022	S1-131023	S1-131023
17*	Heat Kit (Item #6,7,8,9,10)	S1-EK0610211	S1-EK0610211	S1-EK0610211	S1-EK0610211
18*	Piston	S1-3999	S1-4000	S1-3987	S1-ASP4001
19*	Seal, Circuit Breaker	S1-02435672000	S1-02435672000	S1-02435672000	S1-02435672000
20*	Louvered Access Door Kit	S1-WAD-7L	S1-WAD-7L	S1-WAD-8L	S1-WAD-8L

NOTE: *Not Shown
 New replacement parts shown in **bold** face type at the first printing of parts list dated 5/08.
 Major components and suggested stocking items are shown with shaded item number.
 “<” Across from row indicates a change in that row.
 --- Not applicable to specified model.



NOTES

TO ORDER AUTHORIZED FACTORY REPLACEMENT PARTS - Contact your Source1 HVAC Parts Distributor or visit our website at www.Source1Parts.com for a Distributor and Dealer listing.