



www.Source1Parts.com

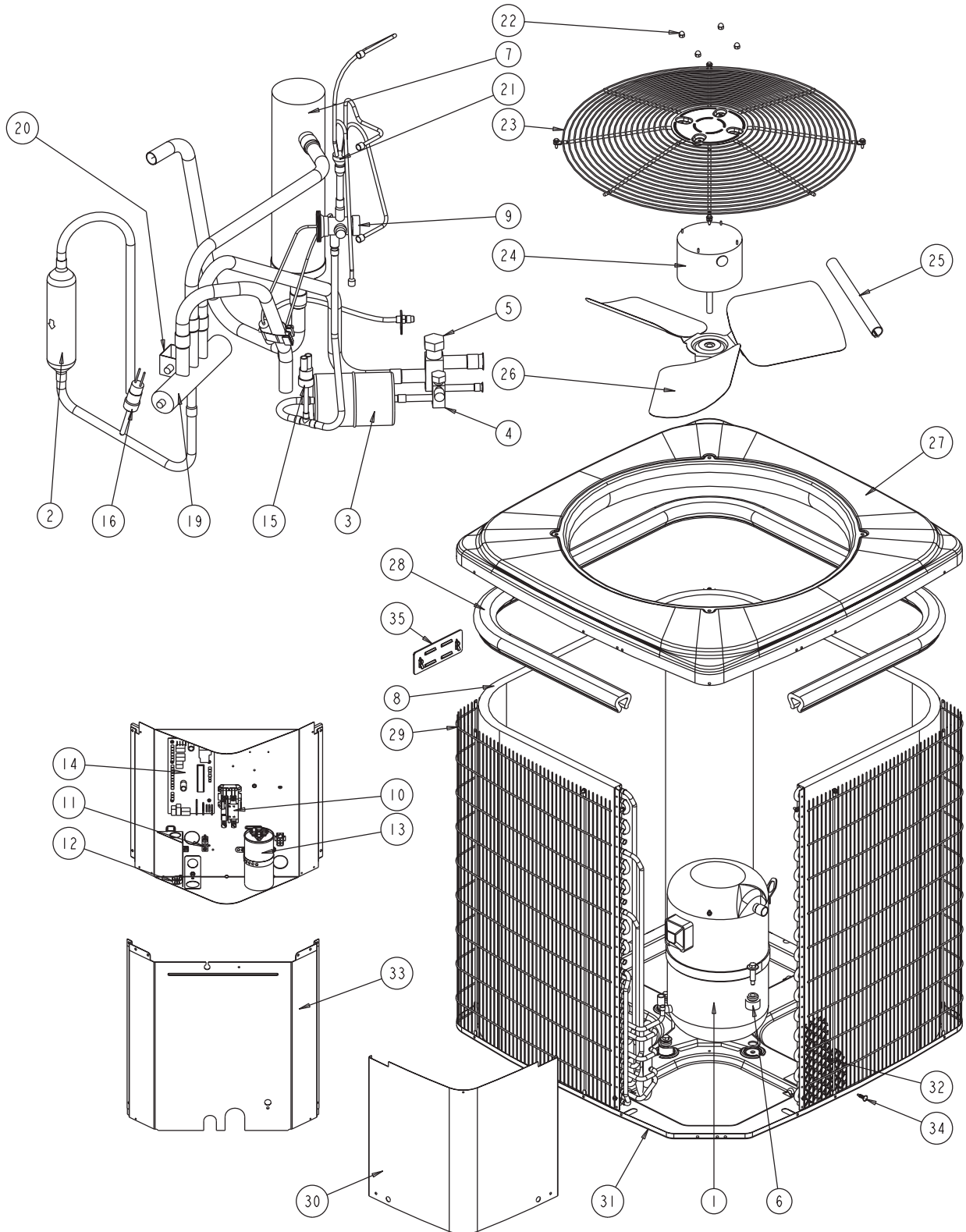
HVAC SERVICE PARTS

THGD SERIES - FIN & TUBE 13 SEER HEAT PUMP - R22 (STYLE A)

Supersedes:035-22028-001 Rev. J (0409)

035-22028-001 Rev. K (0509)

1 of 4



ITEM	DESCRIPTION	THGD18S21S1A	THGD24S21S1A	THGD30S21S1A
1	Compressor	S1-01504083001	S1-01504084001	S1-01504135001
2	Check Valve	S1-02211518000	S1-02211518000	S1-02209077000
3	Filter Drier	S1-52636219000	S1-52636219000	S1-52636219000
4	Base Valve (3/8") (Liquid)	S1-02531899000	S1-02531899000	S1-02531899000
5	Base Valve (3/4") (Suction)	S1-02531900000	S1-02531900000	S1-02531900000
6	Compressor Mount (Pkg. of 4)	S1-02809519000	S1-02809519000	S1-02809519000
7	Accumulator	S1-02635441000	S1-02635441000	S1-02635441000
8	Outdoor Coil Assembly	S1-37327845001	S1-37327845002	S1-37327845003
9	Valve, TXV	S1-02539911000	S1-02539911000	S1-02209091000
10	Contactora (30 amp)	S1-02427531000	S1-02427531000	S1-02427531000
11	Lug, Ground	S1-02521798000	S1-02521798000	S1-02521798000
12	Relief, Strain	S1-02509080000	S1-02509080000	S1-02509080000
13	Dual Capacitor (35/5 MFD)	S1-02423998700	---	---
	Dual Capacitor (35/7.5 MFD)	---	S1-02425891000	---
	Dual Capacitor (30/5 MFD)	---	---	S1-02424778700
14	Board, Defrost Control	S1-33101975102	S1-33101975102	S1-33101975102
15	Pressure Switch, Low	S1-02542695000	S1-02542695000	S1-02542695000
16	Pressure Switch, High	S1-02533305048	S1-02533305048	S1-02533305048
17*	Sensor, Temperature (Coil)	S1-03101276000	S1-03101276000	S1-03101276000
18*	Sensor, Temperature (Ambient)	S1-02532701016	S1-02532701016	S1-02532701016
19	Valve, Reversing	S1-02538945000	S1-02538945000	S1-02538945000
20	Solenoid Coil, Reversing Valve	S1-02538948000	S1-02538948000	S1-02538948000
21	Assembly, Distributor	S1-02538973000	S1-02533424233	S1-02533424234
22	Kit, Motor Mounting (Acorn Nuts)	S1-36390117700	S1-36390117700	S1-36390117700
23	Guard, Fan	S1-02642586000	S1-02642586000	S1-02642586000
24	Motor, Fan	S1-02426029000	S1-02427584000	S1-02426020700
25	Wireway	S1-02815864000	S1-02815864000	S1-02815864000
26	Blade, Fan	S1-02635436000	S1-02635436000	S1-02635436000
27	Top	S1-07327844001	S1-07327844001	S1-07327844001
28	Foam, Outdoor Coil	S1-02815863000	S1-02815863000	S1-02815863000
29	Guard, Coil	S1-07327846005	S1-07327846006	S1-07327846007
30	Cover, Control Box	S1-07323895002	S1-07323895002	S1-07323895002
31	Pan, Base	S1-07327844002	S1-07327844002	S1-07327844002
32	Coil Guard, Plastic Mesh	S1-02814728000	S1-02815241000	S1-02815240000
33	Panel, Blockoff	S1-07323898001	S1-07323898002	S1-07327832003
34	Fastener, Push-in (6 Req'd)	S1-02118381000	S1-02118381000	S1-02118381000
35	Bezel Plate	S1-02815487000	S1-02815487000	S1-02815487000
36*	Harness, Wire	S1-37326955005	S1-37326955005	S1-37326955005
37*	Harness, Reversing Valve	S1-02531923000	S1-02531923000	S1-02531923000
38*	Harness, Main Wiring	S1-37320055004	S1-37320055004	S1-37320055004
39*	Harness, Compressor	S1-02531884000	S1-02531884000	S1-02531884000
40*	Wiring Diagram	402532	402532	402532

<
<

NOTE: *Not Shown
 New replacement parts shown in **bold** face type at the first printing of parts list dated 5/09.
 Major components and suggested stocking items are shown with shaded item number.
 "<" Across from row indicates a change in that row.
 --- Not applicable to specified model.



ITEM	DESCRIPTION	THGD36S21S1A	THGD42S21S1A	THGD48S21S1A	THGD60S21S1A
1	Compressor	S1-01503823001	S1-01503815001	S1-01503710004	S1-01504177004
2	Check Valve	S1-02209077000	S1-02209077000	---	---
3	Filter Drier	S1-52636219000	S1-52636219000	S1-52636219000	S1-52636219000
4	Base Valve (3/8") (Liquid)	S1-02531899000	S1-02531899000	S1-02531899000	S1-02531899000
5	Base Valve (7/8") (Suction)	S1-02531901000	S1-02531901000	S1-02531901000	S1-02531901000
6	Compressor Mount (Pkg. of 4)	S1-02809519000	S1-02809519000	S1-02810581000	S1-02810581000
7	Accumulator	S1-02634090000	S1-02634090000	S1-02625573007	S1-02625573007
8	Outdoor Coil Assembly	S1-37327845005	S1-37327845004	S1-37327845006	S1-37327845006
9	Valve, TXV	S1-02209091000	S1-02209030000	S1-02209092000	S1-02539910000
10	Contactora (30 amp)	S1-02427531000	S1-02427531000	S1-02427531000	S1-02427531000
11	Lug, Ground	S1-02521798000	S1-02521798000	S1-02521798000	S1-02521798000
12	Relief, Strain	S1-02509080000	S1-02509080000	S1-02509080000	S1-02509080000
13	Dual Capacitor (40/5 MFD)	S1-02425893700	---	---	---
	Dual Capacitor (45/5 MFD)	---	S1-02425895700	---	---
	Dual Capacitor (60/5 MFD)	---	---	S1-02425033700	---
	Dual Capacitor (70/5 MFD)	---	---	---	S1-02427616000
14	Board, Defrost Control	S1-33101975102	S1-33101975102	S1-33101975102	S1-33101975102
15	Pressure Switch, Low	S1-02542695000	S1-02542695000	S1-02542695000	S1-02542695000
16	Pressure Switch, High	S1-02533305048	S1-02533305048	S1-02533305048	S1-02533305048
17*	Sensor, Temperature (Coil)	S1-03101276000	S1-03101276000	S1-03101276000	S1-03101276000
18*	Sensor, Temperature (Ambient)	S1-02532701016	S1-02532701016	S1-02532701016	S1-02532701016
19	Valve, Reversing	S1-02538945000	S1-02538947000	S1-02538947000	S1-02538947000
20	Solenoid Coil, Reversing Valve	S1-02538948000	S1-02538948000	S1-02538948000	S1-02538948000
21	Assembly, Distributor	S1-02533424233	S1-02533424238	S1-02533424238	S1-02533424238
22	Kit, Motor Mounting (Acorn Nuts)	S1-36390117700	S1-36390117700	S1-36390117700	S1-36390117700
23	Guard, Fan	S1-02642586000	S1-02642586000	S1-02642586000	S1-02642586000
24	Motor, Fan	S1-02427596700	S1-02427596700	S1-02427596700	S1-02427596700
25	Wireway	S1-02815864000	S1-02815864000	S1-02815864000	S1-02815864000
26	Blade, Fan	S1-02635436000	S1-02642434000	S1-02642434000	S1-02642434000
27	Top	S1-07327844001	S1-07327844001	S1-07327844001	S1-07327844001
28	Foam, Outdoor Coil	S1-02815863000	S1-02815863000	S1-02815869000	S1-02815869000
29	Guard, Coil	S1-07327846008	S1-07327846008	S1-07327846008	S1-07327846008
30	Cover, Control Box	S1-07323895002	S1-07323895002	S1-07323895002	S1-07323895002
31	Pan, Base	S1-07327844002	S1-07327844002	S1-07327844002	S1-07327844002
32	Coil Guard, Plastic Mesh	S1-028114733000	S1-028114733000	S1-028114733000	S1-028114733000
33	Panel, Blockoff	S1-07327808001	S1-07327808001	S1-07327808001	S1-07327808001
34	Fastener, Push-in (6 Req'd)	S1-02118381000	S1-02118381000	S1-02118381000	S1-02118381000
35	Bezel Plate	S1-02815487000	S1-02815487000	S1-02815487000	S1-02815487000
36*	Harness, Wire	S1-37326955005	S1-37326955005	S1-37326955005	S1-37326955005
37*	Harness, Reversing Valve	S1-02531923000	S1-02531923000	S1-02531923000	S1-02531923000
38*	Harness, Main Wiring	S1-37320055004	S1-37320055004	S1-37320055004	S1-37320055004
39*	Harness, Compressor	S1-02531884000	S1-02531884000	S1-02531884000	S1-02531884000
40*	Wiring Diagram	402532	402532	402532	402532

NOTE: *Not ShownNew replacement parts shown in **bold** face type at the first printing of parts list dated 5/09.

Major components and suggested stocking items are shown with shaded item number.

"←" Across from row indicates a change in that row.

--- Not applicable to specified model.

TO ORDER AUTHORIZED FACTORY REPLACEMENT PARTS - Contact your Source1 HVAC Parts Distributor or visit our website at www.Source1Parts.com for a Distributor and Dealer listing.

Subject to change without notice. Published in U.S.A.
Copyright © 2009 by Johnson Controls, Inc. All rights reserved.

035-22028-001 Rev. K (0509)
Supersedes: 035-22028-001 Rev. J (0409)

Johnson Controls Unitary Products
5005 York Drive
Norman, OK 73069