



www.Source1Parts.com

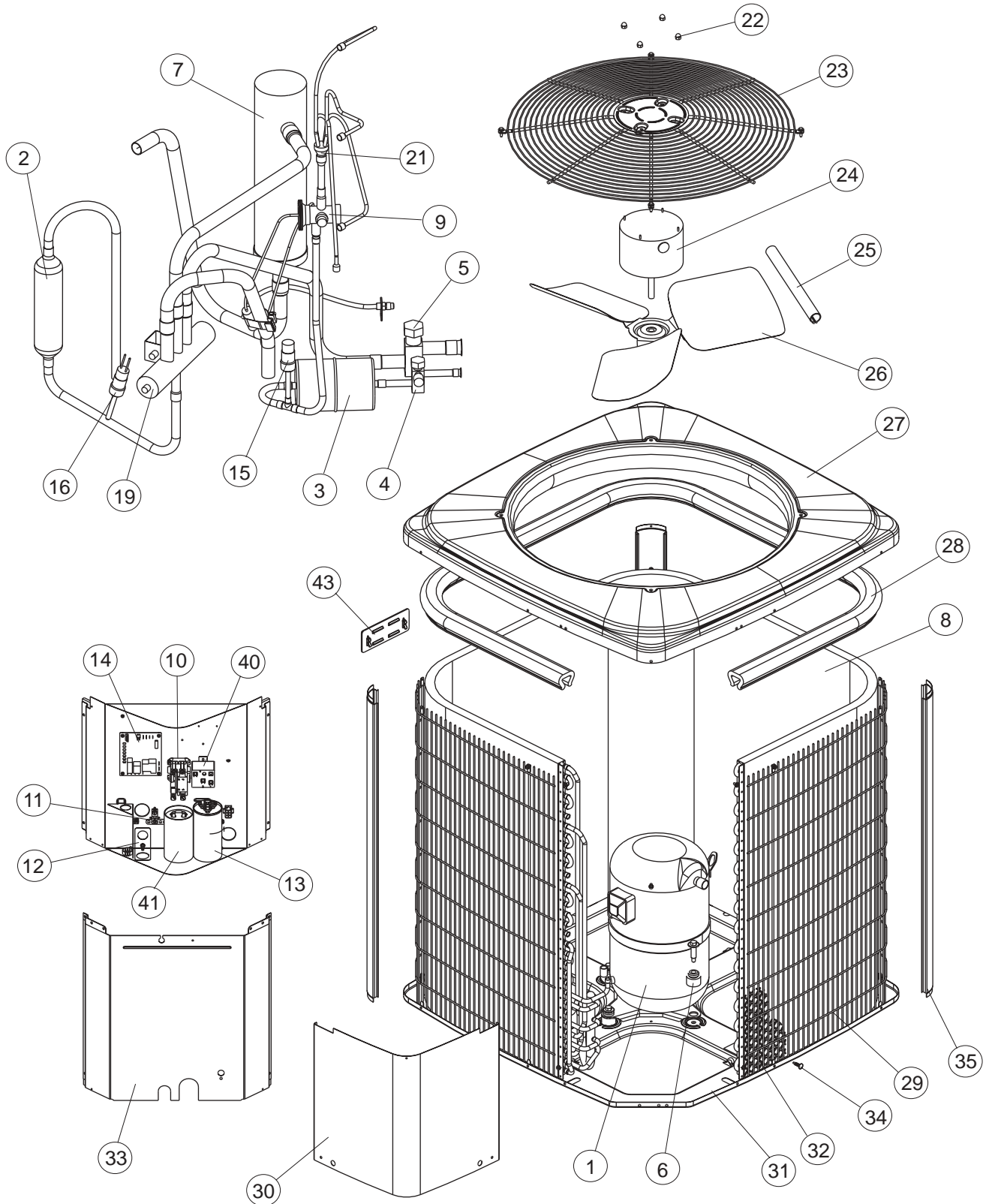
HVAC SERVICE PARTS

CHJD SERIES - FIN & TUBE 13 SEER HEAT PUMP - R-410A (STYLE A)

Supersedes:035-22049-001 Rev. E (0309)

035-22049-001 Rev. F (0610)

1 of 4



| ITEM | DESCRIPTION | CHJD18S41S1A | CHJD24S41S1A | CHJD30S41S1A |
|------|----------------------------------|----------------|-----------------------|-----------------------|
| 1 | Compressor | S1-01503895001 | S1-01503249001 | S1-01503986001 |
| 2 | Muffler, Discharge | S1-02642465000 | S1-02642465000 | S1-02642465000 |
| 3 | Filter Drier | S1-52636219000 | S1-52636219000 | S1-52636219000 |
| 4 | Base Valve (3/8") (Liquid) | S1-02531899000 | S1-02531899000 | S1-02531899000 |
| 5 | Base Valve (3/4") (Suction) | S1-02531900000 | S1-02531900000 | S1-02531900000 |
| 6 | Compressor Mount (Pkg. of 4) | S1-02809519000 | S1-02809519000 | S1-02809519000 |
| 7 | Accumulator | S1-02634090000 | S1-02634090000 | S1-02634090000 |
| 8 | Outdoor Coil Assembly | S1-37327845001 | S1-37327845002 | S1-37327847001 |
| 9 | Valve, TXV | S1-02541346000 | S1-02541345000 | S1-02538739036 |
| 10 | Contactora (30 amp) | S1-02427531000 | S1-02427531000 | S1-02427531000 |
| 11 | Lug, Ground | S1-02521798000 | S1-02521798000 | S1-02521798000 |
| 12 | Relief, Strain | S1-02509080000 | S1-02509080000 | S1-02509080000 |
| 13 | Dual Capacitor (30/7.5 MFD) | S1-02435784000 | --- | --- |
| | Dual Capacitor (30/5 MFD) | --- | S1-02424778700 | --- |
| | Dual Capacitor (35/5 MFD) | --- | --- | S1-02423998700 |
| 14 | Board, Defrost Control | S1-33101975102 | S1-33101975102 | S1-33101975102 |
| 15 | Pressure Switch, Low | S1-02541264000 | S1-02541264000 | S1-02541264000 |
| 16 | Pressure Switch, High | S1-02535359000 | S1-02535359000 | S1-02535359000 |
| 17 | Sensor, Temperature (Coil) | S1-03101276000 | S1-03101276000 | S1-03101276000 |
| 18 | Sensor, Temperature (Ambient) | S1-02532701016 | S1-02532701016 | S1-02532701016 |
| 19 | Valve, Reversing | S1-02538945000 | S1-02538945000 | S1-02538945000 |
| 20* | Solenoid Coil, Reversing Valve | S1-02538948000 | S1-02538948000 | S1-02538948000 |
| 21 | Assembly, Distributor | S1-02538973000 | S1-02533424233 | S1-02533424235 |
| 22 | Kit, Motor Mounting (Acorn Nuts) | S1-36390117700 | S1-36390117700 | S1-36390117700 |
| 23 | Guard, Fan | S1-02642586000 | S1-02642586000 | S1-02642586000 |
| 24 | Motor, Fan | S1-02427584000 | S1-02435328000 | S1-02435328000 |
| 25 | Wireway | S1-02815864000 | S1-02815864000 | S1-02815864000 |
| 26 | Blade, Fan | S1-02635436000 | S1-02646400000 | S1-02646400000 |
| 27 | Top | S1-07327853001 | S1-07327853001 | S1-07327853001 |
| 28 | Foam, Outdoor Coil | S1-02815863000 | S1-02815863000 | S1-02815863000 |
| 29 | Coil Guard, Round Wire | S1-07327859001 | S1-07327846009 | S1-07327859002 |
| 30 | Cover, Control Box | S1-07327856001 | S1-07327856001 | S1-07327856001 |
| 31 | Pan, Base | S1-07327844002 | S1-07327844002 | S1-07327844002 |
| 32 | Coil Guard, Plastic Mesh | S1-02814728000 | S1-02815241000 | S1-02815240000 |
| 33 | Panel, Blockoff | S1-07327858001 | S1-07327836001 | S1-07327855001 |
| 34 | Fastener, Push-in (6 Req'd) | S1-02118381000 | S1-02118381000 | S1-02118381000 |
| 35 | Post, Corner (3 Req'd) | S1-07327835003 | S1-07327854001 | S1-07327857002 |
| 36* | Harness, Wire | S1-37326955005 | S1-37326955005 | S1-37326955005 |
| 37* | Harness, Reversing Valve | S1-02531923000 | S1-02531923000 | S1-02531923000 |
| 38* | Harness, Main Wiring | S1-37320055004 | S1-37320055004 | S1-37320055004 |
| 39* | Harness, Compressor | S1-02531884000 | S1-02531884000 | S1-02531884000 |
| 40 | Relay, Start | S1-02435609000 | S1-02435610000 | S1-02435610000 |
| 41 | Capacitor, Start | S1-02425390700 | S1-02425390700 | S1-02425390700 |
| 42* | Switch, High Temperature | --- | --- | --- |
| 43 | Plate, Bezel | S1-02815487000 | S1-02815487000 | S1-02815487000 |
| 44* | Wiring Diagram | 331677 | 331677 | 331677 |

<

NOTE: *Not Shown
 New replacement parts shown in **bold** face type at the first printing of parts list dated 6/10.
 Major components and suggested stocking items are shown with shaded item number.
 "<" Across from row indicates a change in that row.
 --- Not applicable to specified model.



| ITEM | DESCRIPTION | CHJD36S41S1A | CHJD42S41S1A | CHJD48S41S1A | CHJD60S41S1A |
|------|----------------------------------|----------------|----------------|----------------|----------------|
| 1 | Compressor | S1-01503897001 | S1-01503592004 | S1-01503594004 | S1-01503891004 |
| 2 | Muffler, Discharge | S1-02642465000 | --- | --- | --- |
| 3 | Filter Drier | S1-52636219000 | S1-52636219000 | S1-52636219000 | S1-52636219000 |
| 4 | Base Valve (3/8") (Liquid) | S1-02531899000 | S1-02531899000 | S1-02531899000 | S1-02531899000 |
| 5 | Base Valve (3/4") (Suction) | S1-02531900000 | --- | --- | --- |
| | Base Valve (7/8") (Suction) | --- | S1-02531901000 | S1-02531901000 | S1-02531901000 |
| 6 | Compressor Mount (Pkg. of 4) | S1-02809519000 | S1-02810581000 | S1-02810581000 | S1-02810581000 |
| 7 | Accumulator | S1-02634090000 | S1-02634090000 | S1-02625573008 | S1-02625573008 |
| 8 | Outdoor Coil Assembly | S1-37327845005 | S1-37327847003 | S1-37327847002 | S1-37327847002 |
| 9 | Valve, TXV | S1-02538739036 | S1-02538739036 | S1-02538739042 | S1-02538739060 |
| 10 | Contactora (30 amp) | S1-02427531000 | S1-02427531000 | S1-02427531000 | --- |
| | Contactora (40 amp) | --- | --- | --- | S1-02425837700 |
| 11 | Lug, Ground | S1-02521798000 | S1-02521798000 | S1-02521798000 | S1-02521798000 |
| 12 | Relief, Strain | S1-02509080000 | S1-02509080000 | S1-02509080000 | S1-02509080000 |
| 13 | Dual Capacitor (35/5 MFD) | S1-02425859700 | --- | --- | --- |
| | Dual Capacitor (55/5 MFD) | --- | S1-02425049700 | --- | --- |
| | Dual Capacitor (70/5 MFD) | --- | --- | S1-02427616000 | S1-02427616000 |
| 14 | Board, Defrost Control | S1-33101975102 | S1-33101975102 | S1-33101975102 | S1-33101975102 |
| 15 | Pressure Switch, Low | S1-02541264000 | S1-02541264000 | S1-02541264000 | S1-02541264000 |
| 16 | Pressure Switch, High | S1-02535359000 | S1-02535359000 | S1-02535359000 | S1-02535359000 |
| 17 | Sensor, Temperature (Coil) | S1-03101276000 | S1-03101276000 | S1-03101276000 | S1-03101276000 |
| 18 | Sensor, Temperature (Ambient) | S1-02532701016 | S1-02532701016 | S1-02532701016 | S1-02532701016 |
| 19 | Valve, Reversing | S1-02538945000 | S1-02538946000 | S1-02538947000 | S1-02538947000 |
| 20* | Solenoid Coil, Reversing Valve | S1-02538948000 | S1-02538948000 | S1-02538948000 | S1-02538948000 |
| 21 | Assembly, Distributor | S1-02533424234 | S1-02533424234 | S1-02533424236 | S1-02533424236 |
| 22 | Kit, Motor Mounting (Acorn Nuts) | S1-36390117700 | S1-36390117700 | S1-36390117700 | S1-36390117700 |
| 23 | Guard, Fan | S1-02642586000 | S1-02642586000 | S1-02642586000 | S1-02642586000 |
| 24 | Motor, Fan | S1-02427596700 | S1-02427596700 | S1-02427596700 | S1-02427596700 |
| 25 | Wireway | S1-02815864000 | S1-02815864000 | S1-02815864000 | S1-02815864000 |
| 26 | Blade, Fan | S1-02631361000 | S1-02642434000 | S1-02642434000 | S1-02642434000 |
| 27 | Top | S1-07327853001 | S1-07327853001 | S1-07327853001 | S1-07327853001 |
| 28 | Foam, Outdoor Coil | S1-02815863000 | S1-02815863000 | S1-02815869000 | S1-02815869000 |
| 29 | Coil Guard, Round Wire | S1-07327859003 | S1-07327859003 | S1-07327859003 | S1-07327859003 |
| 30 | Cover, Control Box | S1-07327856001 | S1-07327856001 | S1-07327856001 | S1-07327856001 |
| 31 | Pan, Base | S1-07327844002 | S1-07327844002 | S1-07327844002 | S1-07327844002 |
| 32 | Coil Guard, Plastic Mesh | S1-02714733000 | S1-02714733000 | S1-02714733000 | S1-02714733000 |
| 33 | Panel, Blockoff | S1-07327858002 | S1-07327858002 | S1-07327858002 | S1-07327858002 |
| 34 | Fastener, Push-in (6 Req'd) | S1-02118381000 | S1-02118381000 | S1-02118381000 | S1-02118381000 |
| 35 | Post, Corner (3 Req'd) | S1-07327857003 | S1-07327857003 | S1-07327857003 | S1-07327857003 |
| 36* | Harness, Wire | S1-37326955005 | S1-37326955005 | S1-37326955005 | S1-37326955005 |
| 37* | Harness, Reversing Valve | S1-02531923000 | S1-02531923000 | S1-02531923000 | S1-02531923000 |
| 38* | Harness, Main Wiring | S1-37320055004 | S1-37320055004 | S1-37320055004 | S1-37320055004 |
| 39* | Harness, Compressor | S1-02531884000 | S1-02531884000 | S1-02531884000 | S1-02531884000 |
| 40 | Relay, Start | S1-02435611000 | --- | --- | --- |
| 41 | Capacitor, Start | S1-02425390700 | --- | --- | --- |
| 42* | Switch, HighTemperature | --- | --- | --- | --- |
| 43 | Plate, Bezel | S1-02815487000 | S1-02815487000 | S1-02815487000 | S1-02815487000 |
| 44* | Wiring Diagram | 331677 | 331677 | 331677 | 331677 |

NOTE: *Not Shown
New replacement parts shown in **bold** face type at the first printing of parts list dated 6/10.
Major components and suggested stocking items are shown with shaded item number.
"←" Across from row indicates a change in that row.
--- Not applicable to specified model.

TO ORDER AUTHORIZED FACTORY REPLACEMENT PARTS - Contact your Source1 HVAC Parts Distributor or visit our website at www.Source1Parts.com for a Distributor and Dealer listing.

Subject to change without notice. Published in U.S.A.
Copyright © 2010 by Johnson Controls, Inc. All rights reserved.

035-22049-001 Rev. F (0610)
Supersedes: 035-22049-001 Rev. E (0309)

Johnson Controls Unitary Products
5005 York Drive
Norman, OK 73069