



www.Source1Parts.com

HVAC SERVICE PARTS

AHP SERIES SINGLE PIECE AIR HANDLER R-410A TXV COIL MODELS (STYLE A)

Supersedes:035-22057-001 Rev. A (0408)

035-22057-001 Rev. B (0609)

1 of 4

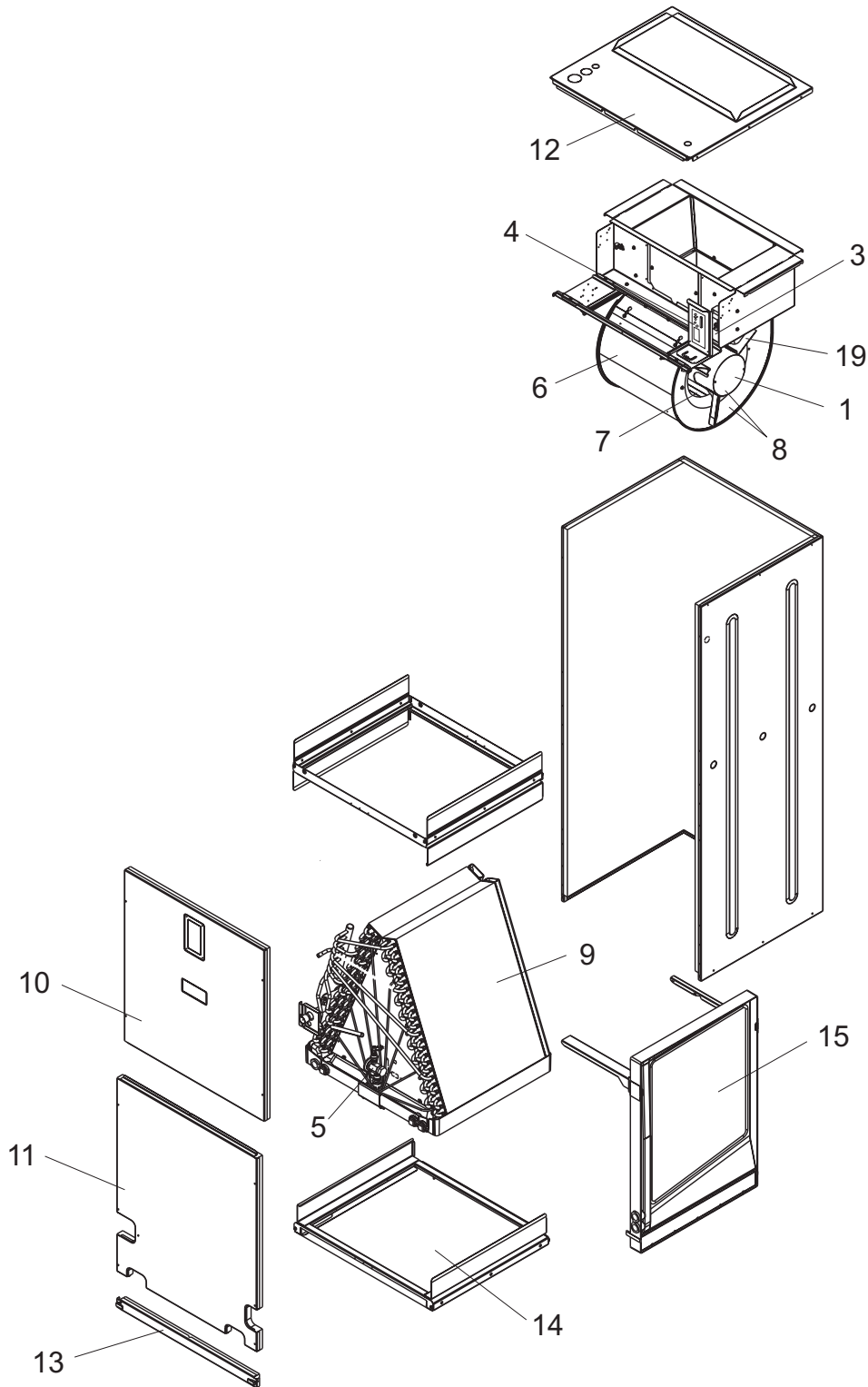


FIGURE 1: SINGLE PIECE AIR HANDLER WITH HORIZONTAL PAN, R- 410A TXV COIL

ITEM	DESCRIPTION	AHP18B4EH21A	AHP24B4FH21A	
1	Motor, Blower	S1-02435316000	S1-02435317000	
2*	Capacitor (10MFD)	S1-02420046700	S1-02420046700	<
3	Transformer (40VA)	S1-02518452000	S1-02518452000	
4	Control, Fan/Elec Heat	S1-03109156000	S1-03109156000	
5	TXV	S1-1TVM4E1	S1-1TVM4F1	
6	Housing, Blower (w/Wheel)	S1-02642366000	S1-02642367000	
7	Wheel, Blower	S1-02642197000	S1-02642198000	
8	Complete Blower Ass'y	S1-02642350000	S1-02642351000	
9	Complete Coil w/Drain Pan (Less TXV)	S1-37323793010	S1-37323793011	
10	Panel, Top Door (Insul)	S1-37323831024	S1-37323831024	
11	Panel, Access Door (Bottom) (Insul)	S1-37323831026	S1-37323831026	
12	Panel, Top (Insul)	S1-37323831023	S1-37323831023	
13	Door, Bottom Door (Filter) (Insul)	S1-37323831022	S1-37323831022	
14	Pan, Drain (Insul)	S1-37323794005	S1-37323794005	
15	Pan, Horizontal Drain	S1-03200215000	S1-03200215000	
16*	Cover, Hairpin	S1-03100205000	S1-03100206000	
17*	Grommet, 3/8"	S1-02813209000	S1-02813209000	
18*	Grommet, 3/4"	S1-02813204000	S1-02813204000	
19	Mount, Motor (Includes item 20 & 21)	S1-37319831002	S1-37319831002	<
20*	Grommet, Motor Mount (3 Req'd)	S1-02814740000	S1-02814740000	
21*	Ferrule, Motor Mount (3 Req'd)	S1-02320541000	S1-02320541000	
22*	Diagram, Wiring	160633	160633	
23*	Harness, Power	S1-02539873000	S1-02539873000	
24*	Line, Liquid	S1-02321572000	S1-02321572000	
25*	Baffle Kit, Condensate	S1-37323890002	S1-37323890002	
26*	Clip, Baffle	S1-02131402000	S1-02131402000	

ITEM	DESCRIPTION	AHP30B4GH21A	AHP30B4HH21A	AHP30B4MH21A
1	Motor, Blower	S1-02435318000	S1-02435318000	S1-02435318000
2*	Capacitor (15MFD)	S1-02425900000	S1-02425900000	S1-02425900000
3	Transformer (40VA)	S1-02518452000	S1-02518452000	S1-02518452000
4	Control, Fan/Elec Heat	S1-03109156000	S1-03109156000	S1-03109156000
5	TXV	S1-1TVM4G1	S1-1TVM4H1	S1-1TVM4M1
6	Housing, Blower (w/Wheel)	S1-02642367000	S1-02642367000	S1-02642367000
7	Wheel, Blower	S1-02642198000	S1-02642198000	S1-02642198000
8	Complete Blower Ass'y	S1-02642352000	S1-02642352000	S1-02642352000
9	Complete Coil w/Drain Pan (Less TXV)	S1-37323793001	S1-37323793001	S1-37323793001
10	Panel, Top Door (Insul)	S1-37323831024	S1-37323831024	S1-37323831024
11	Panel, Access Door (Bottom) (Insul)	S1-37323831026	S1-37323831026	S1-37323831026
12	Panel, Top (Insul)	S1-37323831023	S1-37323831023	S1-37323831023
13	Door, Bottom Door (Filter) (Insul)	S1-37323831022	S1-37323831022	S1-37323831022
14	Pan, Drain (Insul)	S1-37323794001	S1-37323794001	S1-37323794001
15	Pan, Horizontal Drain	S1-03200215000	S1-03200215000	S1-03200215000
16*	Cover, Hairpin	S1-03100209000	S1-03100209000	S1-03100209000
17*	Grommet, 3/8"	S1-02813209000	S1-02813209000	S1-02813209000
18*	Grommet, 7/8"	S1-02813204000	S1-02813204000	S1-02813204000
19	Mount, Motor (Includes item 20 & 21)	S1-37319831002	S1-37319831002	S1-37319831002
20*	Grommet, Motor Mount (3 Req'd)	S1-02814740000	S1-02814740000	S1-02814740000
21*	Ferrule, Motor Mount (3 Req'd)	S1-02320541000	S1-02320541000	S1-02320541000
22*	Diagram, Wiring	160633	160633	160633
23*	Harness, Power	S1-02539873000	S1-02539873000	S1-02539873000
24*	Line, Liquid	S1-02321572000	S1-02321572000	S1-02321572000
25*	Baffle Kit, Condensate	S1-37323890002	S1-37323890002	S1-37323890002
26*	Clip, Baffle	S1-02131402000	S1-02131402000	S1-02131402000

NOTE: *Not Shown
 New replacement parts shown in **bold** face type at the first printing of parts list dated 6/09.
 Major components and suggested stocking items are shown with shaded item number.
 "<" Across from row indicates a change in that row.
 --- Not applicable to specified model.

FIGURE 1 : SINGLE PIECE AIR HANDLER WITH HORIZONTAL PAN, R- 410A TXV COIL

ITEM	DESCRIPTION	AHP36C4GH21A	AHP36C4HH21A	AHP42C4HH21A	
1	Motor, Blower	S1-02435319000	S1-02435319000	S1-02435320000	
2	Capacitor (15MFD)	S1-02425900000	S1-02425900000	S1-02425900000	
3	Transformer (40VA)	S1-02518452000	S1-02518452000	S1-02518452000	
4	Control, Fan/Elec Heat	S1-03109156000	S1-03109156000	S1-03109156000	
5	TXV	S1-1TVM4G1	S1-1TVM4H1	S1-1TVM4H1	
6	Housing, Blower (w/Wheel)	S1-02642412000	S1-02642412000	S1-02642412000	
7	Wheel, Blower	S1-02642199000	S1-02642199000	S1-02642199000	
8	Complete Blower Ass'y	S1-02642353000	S1-02642353000	S1-02642358000	
9	Complete Coil w/Drain Pan (Less TXV)	S1-37323793002	S1-37323793002	S1-37323793002	
10	Panel, Top Door (Insul)	S1-37323831014	S1-37323831014	S1-37323831014	
11	Panel, Access Door (Bottom) (Insul)	S1-37323831016	S1-37323831016	S1-37323831016	
12	Panel, Top (Insul)	S1-37323831013	S1-37323831013	S1-37323831013	
13	Door, Bottom Door (Filter) (Insul)	S1-37323831012	S1-37323831012	S1-37323831012	
14	Pan, Drain (Insul)	S1-37323794002	S1-37323794002	S1-37323794002	
15	Pan, Horizontal Drain	S1-03200216000	S1-03200216000	S1-03200216000	
16*	Cover, Hairpin	S1-03100210000	S1-03100210000	S1-03100210000	
17*	Grommet, 3/8"	S1-02813209000	S1-02813209000	S1-02813209000	
18*	Grommet, 7/8"	S1-02813205000	S1-02813205000	S1-02813205000	
19	Mount, Motor (Includes item 20 & 21)	S1-37319831002	S1-37319831002	S1-37319831002	
20*	Grommet, Motor Mount (3 Req'd)	S1-02814740000	S1-02814740000	S1-02814740000	
21*	Ferrule, Motor Mount (3 Req'd)	S1-02320541000	S1-02320541000	S1-02320541000	
22*	Diagram, Wiring	160633	160633	160633	
23*	Harness, Power	S1-02539873000	S1-02539873000	S1-02539873000	
24*	Line, Liquid	S1-02321573000	S1-02321573000	S1-02321573000	
25*	Baffle Kit, Condensate	S1-37323890003	S1-37323890003	S1-37323890003	
26*	Clip, Baffle	S1-02131402000	S1-02131402000	S1-02131402000	

ITEM	DESCRIPTION	AHP48D4HH21B	AHP48D4JH21A	AHP60D4JH21A	
1	Motor, Blower	S1-02435321000	S1-02435321000	S1-02435323001	
1A	Motor, Blower (Unprogrammed)	---	---	S1-02435315000	
2*	Capacitor (15MFD)	S1-02425900000	S1-02425900000	---	
3	Transformer (40VA)	S1-02518452000	S1-02518452000	S1-02518452000	
4	Control, Fan/Elec Heat	S1-03109156000	S1-03109156000	S1-03109156000	
5	TXV	S1-1TVM4H1	S1-1TVM4J1	S1-1TVM4J1	
6	Housing, Blower (w/Wheel)	S1-02642412000	S1-02642412000	S1-02642413000	
7	Wheel, Blower	S1-02642199000	S1-02642199000	S1-02642196000	
8	Complete Blower Ass'y	S1-02642359000	S1-02642359000	S1-02642360000	
9	Complete Coil w/Drain Pan (Less TXV)	S1-37323793106	S1-37323793106	S1-37323793106	
10	Panel, Top Door (Insul)	S1-37323831004	S1-37323831004	S1-37323831004	
11	Panel, Access Door (Bottom) (Insul)	S1-37323831006	S1-37323831006	S1-37323831006	
12	Panel, Top (Insul)	S1-37323831003	S1-37323831003	S1-37323831003	
13	Door, Bottom Door (Filter) (Insul)	S1-37323831002	S1-37323831002	S1-37323831002	
14	Pan, Drain (Insul)	S1-37323794003	S1-37323794003	S1-37323794003	
15	Pan, Horizontal Drain	S1-03200217000	S1-03200217000	S1-03200217000	
16*	Cover, Hairpin	S1-03100212000	S1-03100212000	S1-03100212000	
17*	Grommet, 3/8"	S1-02813209000	S1-02813209000	S1-02813209000	
18*	Grommet, 7/8"	S1-02813205000	S1-02813205000	S1-02813205000	
19	Mount, Motor (Includes item 20 & 21)	S1-37319831002	S1-37319831002	S1-37319831002	
20*	Grommet, Motor Mount (3 Req'd)	S1-02814740000	S1-02814740000	S1-02814740000	
21*	Ferrule, Motor Mount (3 Req'd)	S1-02320541000	S1-02320541000	S1-02320541000	
22*	Diagram, Wiring	160633	160633	160633	
23*	Harness, Power	S1-02539873000	S1-02539873000	S1-02539872000	
24*	Line, Liquid	S1-02322442000	S1-02322442000	S1-02322442000	
25*	Baffle Kit, Condensate	S1-37323890004	S1-37323890004	S1-37323890004	
26*	Clip, Baffle	S1-02131402000	S1-02131402000	S1-02131402000	

NOTE: *Not ShownNew replacement parts shown in **bold** face type at the first printing of parts list dated 6/09.

Major components and suggested stocking items are shown with shaded item number.

"←" Across from row indicates a change in that row.

--- Not applicable to specified model.

TO ORDER AUTHORIZED FACTORY REPLACEMENT PARTS - Contact your Source1 HVAC Parts Distributor or visit our website at www.Source1Parts.com for a Distributor and Dealer listing.