



www.Source1Parts.com

PREMIUM UVC GERMICIDAL LIGHT KIT SERIES (STYLE A)

HVAC SERVICE PARTS

Supersedes: 035-22101-001 Rev. B (1008)

035-22101-001 Rev. C (1208)

1 of 2

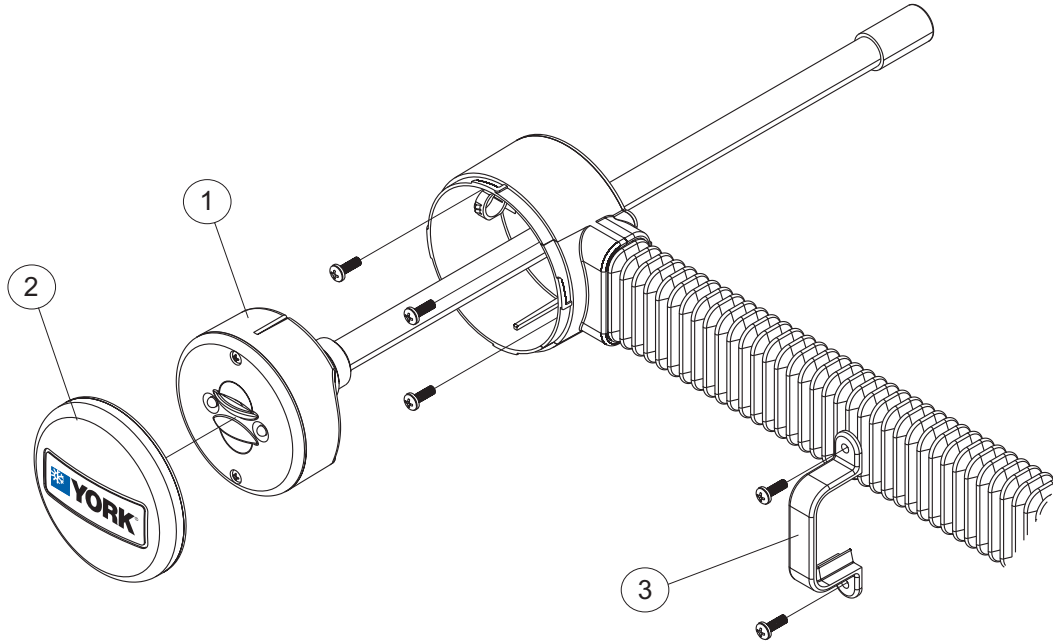


Figure 1 : UV LIGHT

FIG	ITEM	DESCRIPTION	S1-YUVCS120A	S1-LUVCS120A	S1-CUVCS120A
1	1	LIGHT BULT ASSY W/POWER SUPPLY	S1-LAPS120A	S1-LAPS120A	S1-LAPS120A
1	2	OUTSIDE HOUSING COVER	S1-Y17000013	S1-L17000013	S1-C17000013
1	3	MOUNTING KIT (Screws Only)	S1-17000011	S1-17000011	S1-17000011
*	4	CLEANING KIT	S1-44000125	S1-44000125	S1-44000125

<

FIG	ITEM	DESCRIPTION	S1-YUVCS220A	S1-LUVCS220A	S1-CUVCS220A
1	1	LIGHT BULT ASSY W/POWER SUPPLY	S1-LAPS220A	S1-LAPS220A	S1-LAPS220A
1	2	OUTSIDE HOUSING COVER	S1-Y17000013	S1-L17000013	S1-C17000013
1	3	MOUNTING KIT (Screws Only)	S1-17000011	S1-17000011	S1-17000011
*	4	CLEANING KIT	S1-44000125	S1-44000125	S1-44000125

<

NOTE: *Not Shown
 New replacement parts shown in **bold** face type at the first printing of parts list dated 12/08.
 Major components and suggested stocking items are shown with shaded item number.
 “<” Across from row indicates a change in that row.
 --- Not applicable to specified model.



FIG	ITEM	DESCRIPTION	S1-YUVCD120A	S1-LUVCD120A	S1-CUVCD120A
1	1	LIGHT BULT ASSY W/POWER SUPPLY (2 Req'd)	S1-LAPS120A	S1-LAPS120A	S1-LAPS120A
1	2	OUTSIDE HOUSING COVER (2 Req'd)	S1-Y17000013	S1-L17000013	S1-C17000013
1	3	MOUNTING KIT (Screws & Bracket)	S1-17000012	S1-17000012	S1-17000012
*	4	CLEANING KIT	S1-44000125	S1-44000125	S1-44000125

<

FIG	ITEM	DESCRIPTION	S1-YUVCD220A	S1-LUVCD220A	S1-CUVCD220A
1	1	LIGHT BULT ASSY W/POWER SUPPLY (2 Req'd)	S1-LAPS220A	S1-LAPS220A	S1-LAPS220A
1	2	OUTSIDE HOUSING COVER (2 Req'd)	S1-Y17000013	S1-L17000013	S1-C17000013
1	3	MOUNTING KIT (Screws & Bracket)	S1-17000012	S1-17000012	S1-17000012
*	4	CLEANING KIT	S1-44000125	S1-44000125	S1-44000125

<

NOTE: *Not ShownNew replacement parts shown in **bold** face type at the first printing of parts list dated 12/08.

Major components and suggested stocking items are shown with shaded item number.

"←" Across from row indicates a change in that row.

--- Not applicable to specified model.



TO ORDER AUTHORIZED FACTORY REPLACEMENT PARTS - Contact your Source1 HVAC Parts Distributor or visit our website at www.Source1Parts.com for a Distributor and Dealer listing.