



www.Source1Parts.com

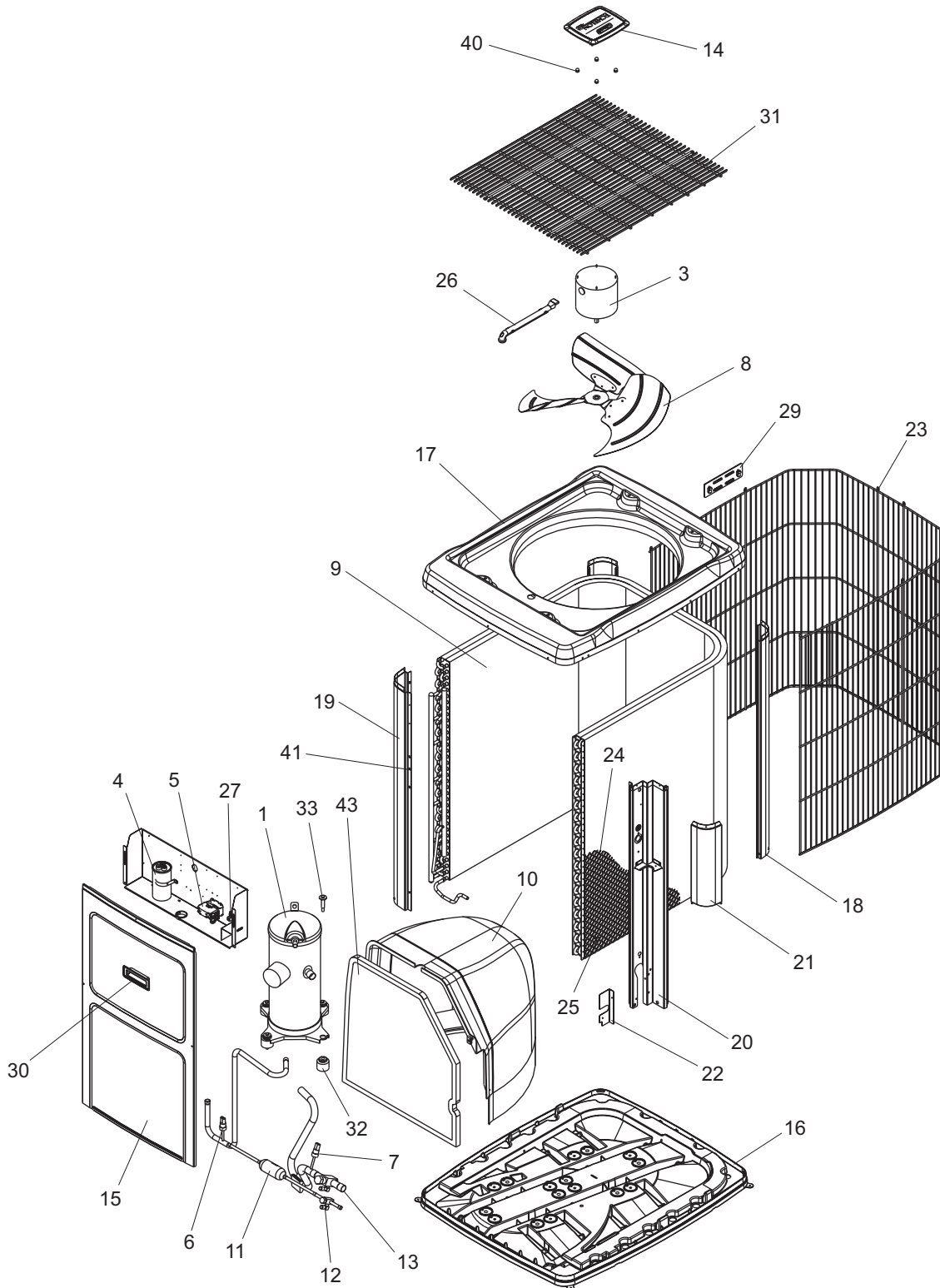
AC3 SERIES, 13 SEER AIR CONDITIONER - OUTDOOR UNIT (R-410A) (STYLE B & C)

HVAC SERVICE PARTS

Supersedes:035-22195-001 Rev. B (0609)

035-22195-001 Rev. C (0909)

1 of 4



| ITEM | DESCRIPTION | AC3B018F1B | AC3B024F1B | AC3B030F1B |
|------|--------------------------------------|----------------|----------------|----------------|
| 1 | Compressor | S1-01503698001 | S1-01503587004 | S1-01503578004 |
| 2* | Compressor Harness | S1-02531884000 | S1-02531884000 | S1-02531884000 |
| 3 | Motor, Direct Drive Fan | S1-02426029000 | S1-02426029000 | S1-02426029000 |
| 4 | Capacitor, Run (35/5MFD) [RC] | --- | S1-02423998000 | --- |
| | Capacitor, Run (40/5MFD) [RC] | S1-02425893000 | --- | --- |
| | Capacitor, Run (45/5MFD) [RC] | --- | --- | S1-02425895000 |
| 5 | Contact, Electrical (40 AMP) [M] | S1-02425837000 | S1-02425837000 | S1-02425837000 |
| 6 | Control Pressure (High) | S1-02535359000 | S1-02535359000 | S1-02535359000 |
| 7 | Control Pressure (Low) | S1-02535360000 | S1-02535360000 | S1-02535360000 |
| 8 | Blade, Fan | S1-02639500000 | S1-02639500000 | S1-02639500000 |
| 9 | Coil, Condenser | S1-37326990201 | S1-37326990201 | S1-37326990202 |
| 10 | Bulkhead, Small | S1-02815506000 | S1-02815506000 | --- |
| | Bulkhead, Large | --- | --- | S1-02815507000 |
| 11 | Filter/Drier | S1-02922195000 | S1-02922195000 | S1-02922195000 |
| 12 | Valve Base, Liquid (3/8") | S1-02209064375 | S1-02209064375 | S1-02209064375 |
| 13 | Valve Base, Suction (3/4") | S1-02209064750 | S1-02209064750 | S1-02209064750 |
| 14 | Top Cap Assy | S1-02814888001 | S1-02814888001 | S1-02814888001 |
| 15 | Access Panel | S1-07327887001 | S1-07327887001 | S1-07327887002 |
| 16 | Pan, Base | S1-02814885001 | S1-02814885001 | S1-02814885001 |
| 17 | Panel, Top | S1-07327895002 | S1-07327895002 | S1-07327895002 |
| 18 | Corner Post, Front (2 Req'd) | S1-07327888001 | S1-07327888001 | S1-07327888002 |
| 19 | Corner Post, Access | S1-07327888004 | S1-07327888004 | S1-07327888005 |
| 20 | Corner Post, Valve | S1-07327888007 | S1-07327888007 | S1-07327888008 |
| 21 | Corner Cover, Access | S1-07327884001 | S1-07327884001 | S1-07327884001 |
| 22 | Bracket, Valve | S1-07327885001 | S1-07327885001 | S1-07327885001 |
| 23 | Coil Guard | S1-37323755001 | S1-37323755001 | S1-37323755002 |
| 24 | Guard, Plastic Wire Mesh Coil | S1-02814879026 | S1-02814879026 | S1-02814879030 |
| 25 | Fastener, Push-In (8 Req'd) | S1-02118381000 | S1-02118381000 | S1-02118381000 |
| 26 | Wireway | S1-02813216001 | S1-02813216001 | S1-02813216001 |
| 27 | Lug, Electrical | S1-02521798000 | S1-02521798000 | S1-02521798000 |
| 28 | | | | |
| 29 | Bezel Plate Assy (1 Req'd) | S1-02814889001 | S1-02814889001 | S1-02814889001 |
| 30 | Handle, Access | S1-02814886000 | S1-02814886000 | S1-02814886000 |
| 31 | Guard, Fan | S1-02639438000 | S1-02639438000 | S1-02639438000 |
| 32 | Grommet, Isolator (Comp) (Pkg. of 4) | S1-02810505000 | S1-02810505000 | S1-02810505000 |
| 33 | Bolt, Compressor (4 Req'd) | S1-02118391000 | S1-02118391000 | S1-02118391000 |
| 34* | Screw, Black #10 x 3/8" | S1-02118396000 | S1-02118396000 | S1-02118396000 |
| 35* | Screw, Black #10 x 3/4" | S1-02118397000 | S1-02118397000 | S1-02118397000 |
| 36* | Screw, #8 x 1-1/2" Torx Head | S1-02118398000 | S1-02118398000 | S1-02118398000 |
| 37* | Diagram, Wiring | 035-19610-001 | 035-19610-001 | 035-19610-001 |
| 38* | Wiring Harness, Control | S1-37326955001 | S1-37326955001 | S1-37326955001 |
| 39* | Wiring Harness, Fan | S1-37320055004 | S1-37320055004 | S1-37320055004 |
| 40 | Kit, Motor Mounting (Acorn Nuts) | S1-36390117700 | S1-36390117700 | S1-36390117700 |
| 41 | Grommet, Plastic (Spacer, 2 Req'd) | S1-02814880000 | S1-02814880000 | S1-02814880000 |
| 42* | Grommet, Vibration Reducer (3/4") | S1-02815165002 | S1-02815165002 | S1-02815165002 |
| 43 | Insulation Door - Small | S1-01007630000 | S1-01007630000 | --- |
| | Insulation Door - Large | --- | --- | S1-01007631000 |

NOTE: *Not ShownNew replacement parts shown in **bold** face type at the first printing of parts list dated 9/09.

Major components and suggested stocking items are shown with shaded item number.

"←" Across from row indicates a change in that row.

--- Not applicable to specified model.

| ITEM | DESCRIPTION | AC3B036F1C | AC3B042F1B | AC3B048F1B | AC3B060F1C |
|------|--------------------------------------|-----------------------|----------------|----------------|----------------|
| 1 | Compressor | S1-01503591004 | S1-01503592004 | S1-01503594004 | S1-01503595004 |
| 2* | Compressor Harness | S1-02531884000 | S1-02531885000 | S1-02531885000 | S1-02531885000 |
| 3 | Motor, Direct Drive Fan | S1-02427596000 | S1-02427596000 | S1-02427596000 | S1-02427596000 |
| 4 | Capacitor, Run (50/5MFD) [RC] | S1-02425338000 | --- | --- | --- |
| | Capacitor, Run (55/5MFD) [RC] | --- | S1-02425049000 | --- | --- |
| | Capacitor, Run (70/5MFD) [RC] | --- | --- | S1-02427616000 | S1-02427616000 |
| 5 | Contact, Electrical (40 AMP) [M] | S1-02425837000 | S1-02425837000 | S1-02425837000 | S1-02425837000 |
| 6 | Control Pressure (High) | S1-02535359000 | S1-02535359000 | S1-02535359000 | S1-02535359000 |
| 7 | Control Pressure (Low) | S1-02535360000 | S1-02535360000 | S1-02535360000 | S1-02535360000 |
| 8 | Blade, Fan | S1-02645757000 | S1-02639501000 | S1-02639501000 | S1-02639501000 |
| 9 | Coil, Condenser | S1-37326990202 | S1-37326990203 | S1-37326990203 | S1-37326990204 |
| 10 | Bulkhead, Large | S1-02815507000 | S1-02815507000 | S1-02815507000 | S1-02815507000 |
| 11 | Filter/Drier | S1-02922195000 | S1-02922195000 | S1-02922195000 | S1-02922195000 |
| 12 | Valve Base, Liquid (3/8") | S1-02209064375 | S1-02209064375 | S1-02209064375 | S1-02209064375 |
| 13 | Valve Base, Suction (3/4") | S1-02209064750 | --- | --- | --- |
| | Valve Base, Suction (7/8") | --- | S1-02209064875 | S1-02209064875 | S1-02209064875 |
| 14 | Top Cap Assy | S1-02814888001 | S1-02814888001 | S1-02814888001 | S1-02814888001 |
| 15 | Access Panel | S1-07327887002 | S1-07327887003 | S1-07327887003 | S1-07327887003 |
| 16 | Pan, Base | S1-02814885001 | S1-02814885001 | S1-02814885001 | S1-02814885001 |
| 17 | Panel, Top | S1-07327895002 | S1-07327895002 | S1-07327895002 | S1-07327895002 |
| 18 | Corner Post, Front (2 Req'd) | S1-07327888002 | S1-07327888003 | S1-07327888003 | S1-07327888003 |
| 19 | Corner Post, Access | S1-07327888005 | S1-07327888006 | S1-07327888006 | S1-07327888006 |
| 20 | Corner Post, Valve | S1-07327888008 | S1-07327888009 | S1-07327888009 | S1-07327888009 |
| 21 | Corner Cover, Access | S1-07327884001 | S1-07327884001 | S1-07327884001 | S1-07327884001 |
| 22 | Bracket, Valve | S1-07327885001 | S1-07327885001 | S1-07327885001 | S1-07327885001 |
| 23 | Coil Guard | S1-37323755002 | S1-37323755003 | S1-37323755003 | S1-37323755003 |
| 24 | Guard, Plastic Wire Mesh Coil | S1-02814879030 | S1-02814879036 | S1-02814879036 | S1-02814879036 |
| 25 | Fastener, Push-In (8 Req'd) | S1-02118381000 | S1-02118381000 | S1-02118381000 | S1-02118381000 |
| 26 | Wireway | S1-02813216001 | S1-02813216001 | S1-02813216001 | S1-02813216001 |
| 27 | Lug, Electrical | S1-02521798000 | S1-02521798000 | S1-02521798000 | S1-02521798000 |
| 28 | | | | | |
| 29 | Bezel Plate Assy (1 Req'd) | S1-02814889001 | S1-02814889001 | S1-02814889001 | S1-02814889001 |
| 30 | Handle, Access | S1-02814886000 | S1-02814886000 | S1-02814886000 | S1-02814886000 |
| 31 | Guard, Fan | S1-02639438000 | S1-02639438000 | S1-02639438000 | S1-02639438000 |
| 32 | Grommet, Isolator (Comp) (Pkg. of 4) | S1-02810505000 | S1-02810505000 | S1-02810505000 | S1-02810505000 |
| 33 | Bolt, Compressor (4 Req'd) | S1-02118391000 | S1-02118391000 | S1-02118391000 | S1-02118391000 |
| 34* | Screw, Black #10 x 3/8" | S1-02118396000 | S1-02118396000 | S1-02118396000 | S1-02118396000 |
| 35* | Screw, Black #10 x 3/4" | S1-02118397000 | S1-02118397000 | S1-02118397000 | S1-02118397000 |
| 36* | Screw, #8 x 1-1/2" Torx Head | S1-02118398000 | S1-02118398000 | S1-02118398000 | S1-02118398000 |
| 37* | Diagram, Wiring | 035-19610-001 | 035-19610-001 | 035-19610-001 | 035-19610-001 |
| 38* | Wiring Harness, Control | S1-37326955001 | S1-37326955001 | S1-37326955001 | S1-37326955001 |
| 39* | Wiring Harness, Fan | S1-37320055004 | S1-37320055004 | S1-37320055004 | S1-37320055004 |
| 40 | Kit, Motor Mounting (Acorn Nuts) | S1-36390117700 | S1-36390117700 | S1-36390117700 | S1-36390117700 |
| 41 | Grommet, Plastic (Spacer, 2 Req'd) | S1-02814880000 | S1-02814880000 | S1-02814880000 | S1-02814880000 |
| 42* | Grommet, Vibration Reducer (3/4") | S1-02815165002 | S1-02815165002 | --- | --- |
| | Grommet, Vibration Reducer (7/8") | --- | --- | S1-02815165003 | S1-02815165003 |
| 43 | Insulation Door - Large | S1-01007631000 | S1-01007631000 | S1-01007631000 | S1-01007631000 |

NOTE: *Not ShownNew replacement parts shown in **bold** face type at the first printing of parts list dated 9/09.

Major components and suggested stocking items are shown with shaded item number.

"←" Across from row indicates a change in that row.

--- Not applicable to specified model.

TO ORDER AUTHORIZED FACTORY REPLACEMENT PARTS - Contact your Source1 HVAC Parts Distributor or visit our website at www.Source1Parts.com for a Distributor and Dealer listing.