



www.Source1Parts.com

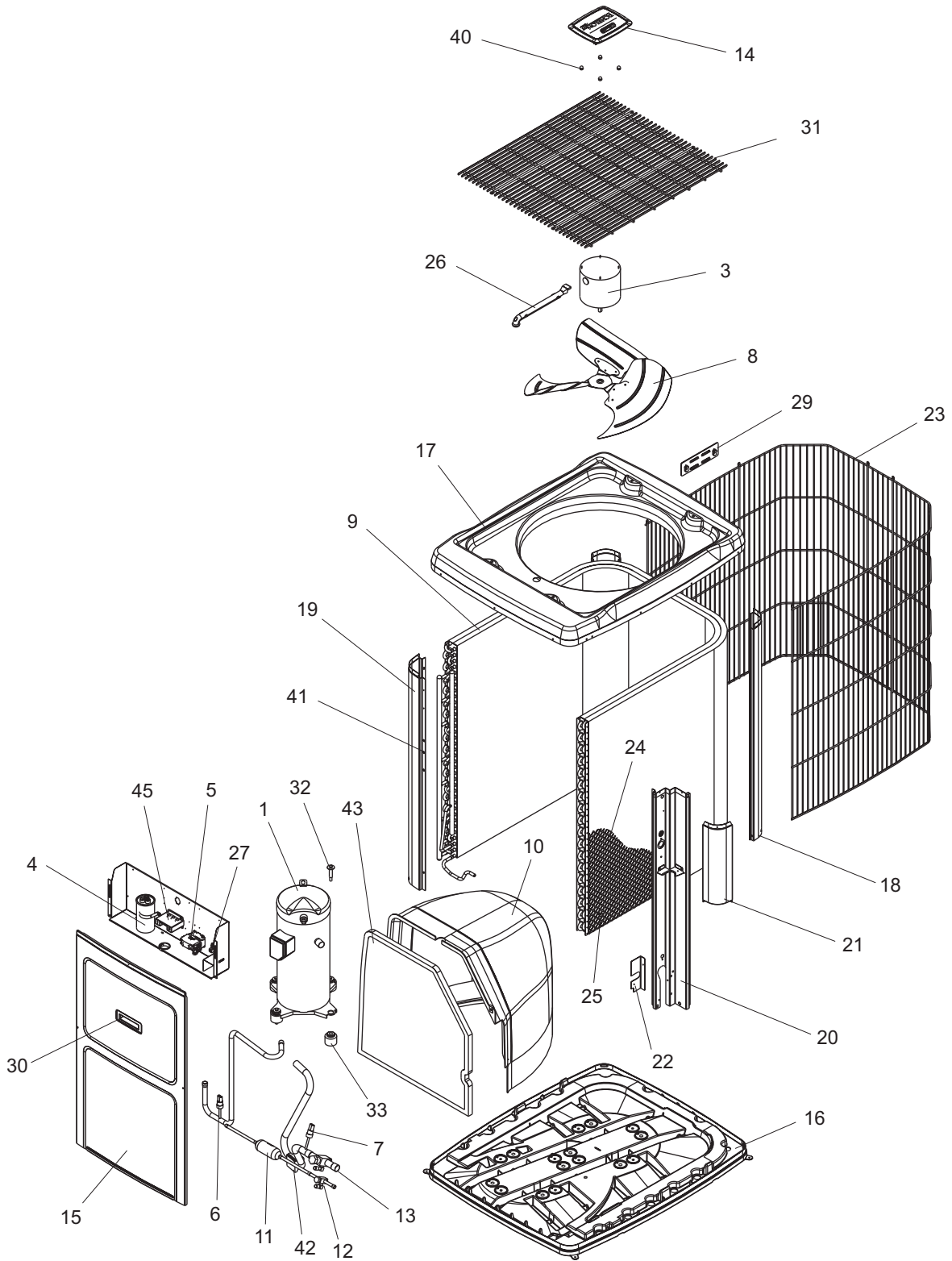
HVAC SERVICE PARTS

AC5 SERIES, 15 SEER AIR CONDITIONER - OUTDOOR UNIT (R-410A) (STYLE B & C)

Supersedes:035-22199-001 Rev. A (0908)

035-22199-001 Rev. B (0609)

1 of 4



ITEM	DESCRIPTION	AC5B024F1B	AC5B036F1C
1	Compressor	S1-01503668004	S1-01503669004
2*	Compressor Harness	S1-02531885000	S1-02531885000
3	Motor, Direct Drive Fan	S1-02426029000	S1-02427596000
4	Capacitor, Run (35/5MFD) [RC]	S1-02423998000	---
	Capacitor, Run (40/5MFD) [RC]	---	S1-02425893000
5	Contactora, Electrical (40 AMP) [M]	S1-02425837000	S1-02425837000
6	Control Pressure (High)	S1-02535359000	S1-02535359000
7	Control Pressure (Low)	S1-02535360000	S1-02535360000
8	Blade, Fan	S1-02639500000	S1-02639510000
9	Coil, Condenser	S1-37326990211	S1-37326990203
10	Bulkhead, Large	S1-02815507000	S1-02815507000
11	Filter/Drier	S1-02922195000	S1-02922195000
12	Valve Base, Liquid (3/8")	S1-02209064375	S1-02209064375
13	Valve Base, Suction (3/4")	S1-02209064750	S1-02209064750
14	Top Cap Assy	S1-02814888007	S1-02814888007
15	Access Panel	S1-07327887002	S1-07327887002
16	Pan, Base	S1-02814885000	S1-02814885000
17	Panel, Top	S1-07327895002	S1-07327895002
18	Corner Post, Front (2 Req'd)	S1-07327888002	S1-07327888003
19	Corner Post, Access	S1-07327888005	S1-07327888006
20	Corner Post, Valve	S1-07327888008	S1-07327888009
21	Corner Cover, Access	S1-07327884001	S1-07327884001
22	Bracket, Valve	S1-07327885001	S1-07327885001
23	Coil Guard	S1-37326991005	S1-37326991006
24	Guard, Plastic Wire Mesh Coil	S1-02814879030	S1-02814879036
25	Fastener, Push-In (8 Req'd)	S1-02118381000	S1-02118381000
26	Wireway	S1-02813216001	S1-02813216001
27	Lug, Electrical	S1-02521798000	S1-02521798000
28			
29	Bezel Plate Assy (1 Req'd)	S1-02814889001	S1-02814889001
30	Handle, Access	S1-02814886000	S1-02814886000
31	Guard, Fan	S1-02639438000	S1-02639438000
32	Grommet, Isolator (Comp) (Pkg. of 4)	S1-02810581000	S1-02810505000
33	Bolt, Compressor (4 Req'd)	S1-02118391000	S1-02118391000
34*	Screw, Black #10 x 3/8"	S1-02118396000	S1-02118396000
35*	Screw, Black #10 x 3/4"	S1-02118397000	S1-02118397000
36*	Screw, #8 x 1-1/2" Torx Head	S1-02118398000	S1-02118398000
37*	Diagram, Wiring	035-20399-001	035-20399-001
38*	Wiring Harness, Control	S1-37326955007	S1-37326955007
39*	Wiring Harness, Fan	S1-37320055004	S1-37320055004
40	Kit, Motor Mounting (Acorn Nuts)	S1-36390117700	S1-36390117700
41	Grommet, Plastic (Spacer, 2 Req'd)	S1-02814880000	S1-02814880000
42*	Grommet, Vibration Reducer (3/4")	S1-02815165002	S1-02815165002
43	Insulation Door - Large	S1-01007631000	S1-01007631000
44*	Harness, Compressor Solenoid	S1-02538936000	S1-02538936000
45	Comfort Alert	S1-02538740000	S1-02538740000

NOTE: *Not ShownNew replacement parts shown in **bold** face type at the first printing of parts list dated 6/09.

Major components and suggested stocking items are shown with shaded item number.

"←" Across from row indicates a change in that row.

--- Not applicable to specified model.



ITEM	DESCRIPTION	AC5B048F1B	AC5B060F1B
1	Compressor	S1-01503670004	S1-01503671004
2*	Compressor Harness	S1-02531885000	S1-02531885000
3	Motor, Direct Drive Fan	S1-02531885000	S1-02531885000
4	Capacitor, Run (45/5MFD) [RC]	S1-02425895000	---
	Capacitor, Run (80/5MFD) [RC]	---	S1-02426037000
5	Contact, Electrical (40 AMP) [M]	S1-02425837000	S1-02425837000
6	Control Pressure (High)	S1-02535359000	S1-02535359000
7	Control Pressure (Low)	S1-02535360000	S1-02535360000
8	Blade, Fan	S1-02639502000	S1-02639502000
9	Coil, Condenser	S1-37326990204	S1-37326990204
10	Bulkhead, Large	S1-02815507000	S1-02815507000
11	Filter/Drier	S1-02922195000	S1-02922195000
12	Valve Base, Liquid (3/8")	S1-02209064375	S1-02209064375
13	Valve Base, Suction (7/8")	S1-02209064875	S1-02209064875
14	Top Cap Assy	S1-02814888007	S1-02814888007
15	Access Panel	S1-07327887003	S1-07327887003
16	Pan, Base	S1-02814885000	S1-02814885000
17	Panel, Top	S1-07327895002	S1-07327895002
18	Corner Post, Front (2 Req'd)	S1-07327888003	S1-07327888003
19	Corner Post, Access	S1-07327888006	S1-07327888006
20	Corner Post, Valve	S1-07327888009	S1-07327888009
21	Corner Cover, Access	S1-07327884001	S1-07327884001
22	Bracket, Valve	S1-07327885001	S1-07327885001
23	Coil Guard	S1-37326991006	S1-37326991006
24	Guard, Plastic Wire Mesh Coil	S1-02814879036	S1-02814879036
25	Fastener, Push-In (8 Req'd)	S1-02118381000	S1-02118381000
26	Wireway	S1-02813216001	S1-02813216001
27*	Lug, Electrical	S1-02521798000	S1-02521798000
28			
29	Bezel Plate Assy (1 Req'd)	S1-02814889001	S1-02814889001
30	Handle, Access	S1-02814886000	S1-02814886000
31	Guard, Fan	S1-02639438000	S1-02639438000
32	Grommet, Isolator (Comp) (Pkg. of 4)	S1-02810505000	S1-02810505000
33	Bolt, Compressor (4 Req'd)	S1-02118391000	S1-02118391000
34*	Screw, Black #10 x 3/8"	S1-02118396000	S1-02118396000
35*	Screw, Black #10 x 3/4"	S1-02118397000	S1-02118397000
36*	Screw, #8 x 1-1/2" Torx Head	S1-02118398000	S1-02118398000
37*	Diagram, Wiring	035-20399-001	035-20399-001
38*	Wiring Harness, Control	S1-37326955007	S1-37326955007
39*	Wiring Harness, Fan	S1-37320055004	S1-37320055004
40	Kit, Motor Mounting (Acorn Nuts)	S1-36390117700	S1-36390117700
41*	Grommet, Plastic (Spacer, 2 Req'd)	S1-02814880000	S1-02814880000
42	Grommet, Vibration Reducer (7/8")	S1-02815165003	S1-02815165003
43	Insulation Door - Large	S1-01007631000	S1-01007631000
44*	Harness, Compressor Solenoid	S1-02538936000	S1-02538936000
45	Comfort Alert	S1-02538740000	S1-02538740000

NOTE: *Not ShownNew replacement parts shown in **bold** face type at the first printing of parts list dated 6/09.

Major components and suggested stocking items are shown with shaded item number.

"←" Across from row indicates a change in that row.

--- Not applicable to specified model.



TO ORDER AUTHORIZED FACTORY REPLACEMENT PARTS - Contact your Source1 HVAC Parts Distributor or visit our website at **www.Source1Parts.com** for a Distributor and Dealer listing.