



www.Source1Parts.com

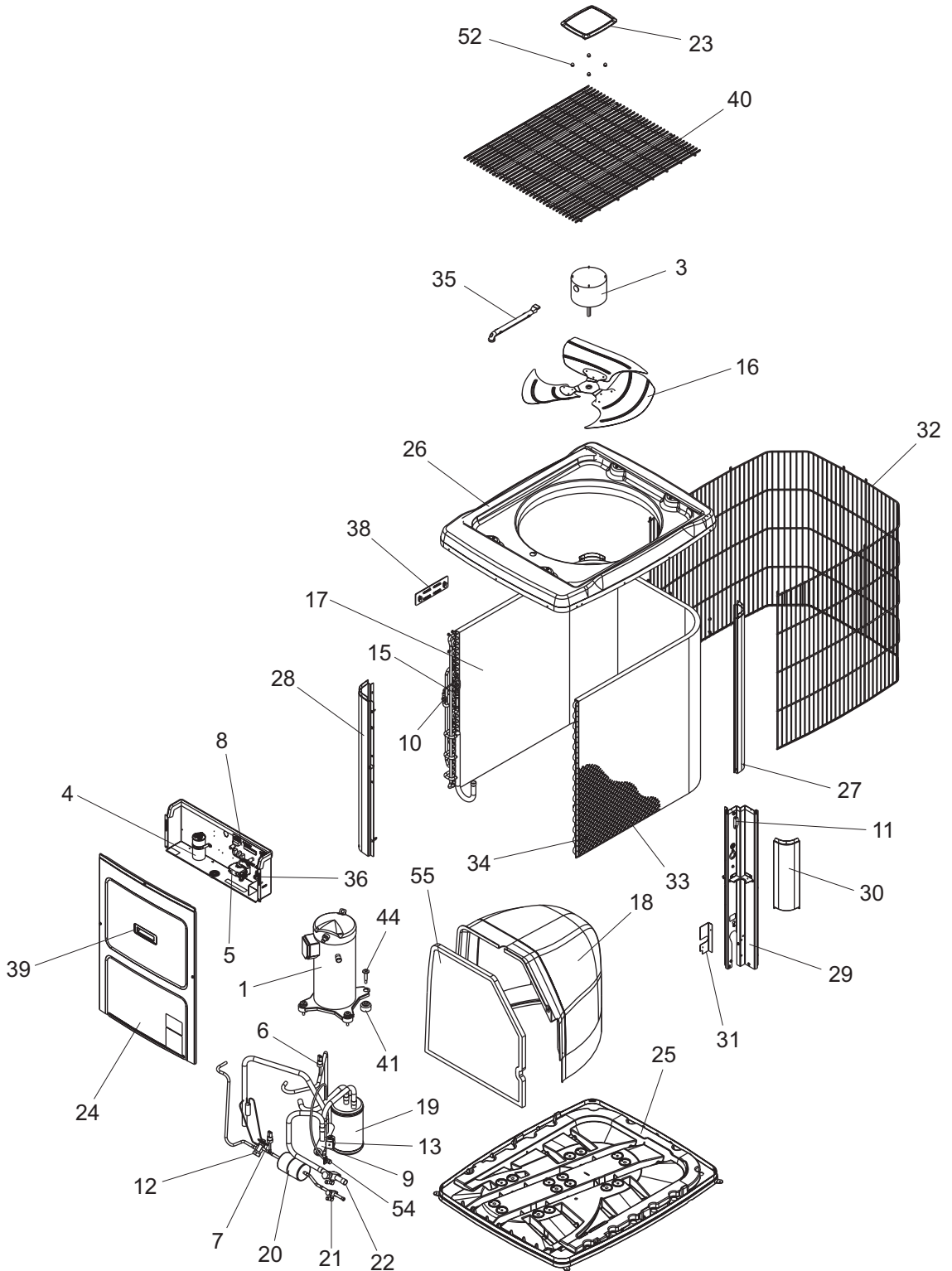
# HC3 SERIES, 13 SEER HEAT PUMP - OUTDOOR UNIT (R - 410A) (STYLE B & C)

HVAC SERVICE PARTS

Supersedes:035-22203-001 Rev. D (0809)

035-22203-001 Rev. E (0909)

1 of 4



ITEM	DESCRIPTION	HC3B018F1B	HC3B024F1B	HC3B030F1B	HC3B036F1C
1	Compressor	S1-01503698001	S1-01503587004	S1-01503578004	S1-01503591004
2*	Compressor Harness	S1-02531884000	S1-02531884000	S1-02531884000	S1-02531884000
3	Motor, Direct Drive Fan	S1-02426029000	S1-02426029000	S1-02427596700	S1-02427596700
4	Capacitor, Run (35/5MFD) [RC]	---	S1-02423998000	---	---
	Capacitor, Run (40/5MFD) [RC]	S1-02425893000	---	---	---
	Capacitor, Run (45/5MFD) [RC]	---	---	S1-02425895000	---
	Capacitor, Run (50/5MFD) [RC]	---	---	---	S1-02425338000
5	Contact, Electrical (40 AMP) [M]	S1-02425837700	S1-02425837700	S1-02425837700	S1-02425837700
6	Control Pressure (High)	S1-02538888001	S1-02538888001	S1-02538888001	S1-02538888001
7	Control Pressure (Low)	S1-02538889001	S1-02538889001	S1-02538889001	S1-02538889001
8	Control Defrost	S1-33102961000	S1-33102961000	S1-33102961000	S1-33102961000
9	Reversing Valve (Ranco)	S1-02538945000	S1-02538945000	S1-02538945000	S1-02538945000
	Reversing Valve (Danfoss)	S1-02542371000	S1-02542371000	S1-02542371000	S1-02542371000
10	Sensor, Temperature	S1-03101276000	S1-03101276000	S1-03101276000	S1-03101276000
11	Ambient Sensor	S1-02532701000	S1-02532701000	S1-02532701000	S1-02532701000
12	TXV	S1-02538972000	S1-02538739036	S1-02538739036	S1-02538739036
13	Solenoid Coil (Rev. Valve)(Ranco)	S1-02538948000	S1-02538948000	S1-02538948000	S1-02538948000
	Solenoid Coil (Rev. Valve)(Danfoss)	S1-02530215000	S1-02530215000	S1-02530215000	S1-02530215000
14	Valve Body	S1-02208982000	S1-02208982000	S1-02208982000	S1-02208982000
15	Distributor Assembly	S1-02538973000	S1-02533424233	S1-02533424233	S1-02533424234
16	Blade, Fan	S1-02639500000	S1-02639500000	<b>S1-02645757000</b>	S1-02639501000
17	Coil, Condenser	S1-37323781001	S1-37326995202	S1-37326995202	S1-37326995203
18	Bulkhead, Small	S1-02815506000	---	---	---
	Bulkhead, Large	---	S1-02815507000	S1-02815507000	S1-02815507000
19	Accumulator Tank	S1-02631681002	S1-02631681002	S1-02631681002	S1-02625573002
20	Filter/Drier	S1-52636219000	S1-52636219000	S1-52636219000	S1-52636219000
21	Valve Base, Liquid (3/8")	S1-02209064375	S1-02209064375	S1-02209064375	S1-02209064375
22	Valve Base, Suction (3/4")	S1-02209064750	S1-02209064750	S1-02209064750	S1-02209064750
23	Top Cap Assy	S1-02814888001	S1-02814888001	S1-02814888001	S1-02814888001
24	Access Panel	S1-07327887001	S1-07327887001	S1-07327887001	S1-07327887003
25	Pan, Base	S1-02814885001	S1-02814885001	S1-02814885001	S1-02814885001
26	Panel, Top	S1-07327895002	S1-07327895002	S1-07327895002	S1-07327895002
27	Corner Post, Front (2 Req'd)	S1-07327888001	S1-07327888002	S1-07327888002	S1-07327888003
28	Corner Post, Access	S1-07327888004	S1-07327888005	S1-07327888005	S1-07327888006
29	Corner Post, Valve	S1-07327888007	S1-07327888008	S1-07327888008	S1-07327888009
30	Corner Cover, Access	S1-07327884001	S1-07327884001	S1-07327884001	S1-07327884001
31	Bracket, Corner Post	S1-07327885001	S1-07327885001	S1-07327885001	S1-07327885001
32	Coil Guard	S1-37323755001	S1-37323755001	S1-37323755002	S1-37323755003
33	Guard, Plastic Wire Mesh Coil	S1-02814879026	S1-02814879026	S1-02814879030	S1-02814879036
34	Fastener, Push-In (6 Req'd)	S1-02118381000	S1-02118381000	S1-02118381000	S1-02118381000
	Fastener, Push-In (2 Req'd)	S1-02131404000	S1-02131404000	S1-02131404000	S1-02131404000
35	Wireway	S1-02813216001	S1-02813216001	S1-02813216001	S1-02813216001
36	Lug, Electrical	S1-02521798000	S1-02521798000	S1-02521798000	S1-02521798000
37*	Relief, Strain	S1-02509080000	S1-02509080000	S1-02509080000	S1-02509080000
38	Bezel Plate Assy (1 Req'd)	S1-02814889001	S1-02814889001	S1-02814889001	S1-02814889001
39	Handle, Access	S1-02814886000	S1-02814886000	S1-02814886000	S1-02814886000
40	Guard, Fan	S1-02639438000	S1-02639438000	S1-02639438000	S1-02639438000
41	Grommet, Isolator (Comp) (Pkg. of 4)	S1-02810505000	S1-02810505000	S1-02810505000	S1-02810505000
42*	Grommet, Isolator (Accumulator)	S1-1212-0061	S1-1212-0061	S1-1212-0061	S1-1212-0061
43*	Harness, Rev. Valve Solenoid (Ranco)	S1-02531923000	S1-02531923000	S1-02531923000	S1-02531923000
	Harness, Rev. Valve Solenoid (Danfoss)	S1-02542732000	S1-02542732000	S1-02542732000	S1-02542732000
44	Bolt, Compressor (4 Req'd)	S1-02118391000	S1-02118391000	S1-02118391000	S1-02118391000
45*	Screw, Black #10 x 3/8"	S1-02118396000	S1-02118396000	S1-02118396000	S1-02118396000
46*	Screw, Black #10 x 3/4"	S1-02118397000	S1-02118397000	S1-02118397000	S1-02118397000
47*	Screw, #8 x 1-1/4" (Base Valve)	S1-02118398000	S1-02118398000	S1-02118398000	S1-02118398000
48*	Diagram, Wiring	035-19618-002	035-19618-002	035-19618-002	035-19618-002
49*	Wiring Harness, Control	S1-37326955003	S1-37326955003	S1-37326955003	S1-37326955003
50*	Wiring Harness, Fan	S1-37320055004	S1-37320055004	S1-37320055004	S1-37320055004
51*	Wiring Harness, Low Voltage	S1-37326955002	S1-37326955002	S1-37326955002	S1-37326955002
52	Kit, Motor Mounting (Acorn Nuts)	S1-36390117700	S1-36390117700	S1-36390117700	S1-36390117700
53*	Grommet, Plastic (Spacer, 2 Req'd)	S1-02814880000	S1-02814880000	S1-02814880000	S1-02814880000
54	Knurled Valve Cap - 1/4" OD	S1-02310745000	S1-02310745000	S1-02310745000	S1-02310745000
55	Insulation Door - Small	S1-01007630000	---	---	---
	Insulation Door - Large	---	S1-01007631000	S1-01007631000	S1-01007631000
56*	Sensor, Discharge Temperature	S1-03101278000	S1-03101278000	S1-03101278000	S1-03101278000

**NOTE:** \*Not ShownNew replacement parts shown in **bold** face type at the first printing of parts list dated 9/09.

Major components and suggested stocking items are shown with shaded item number.

"←" Across from row indicates a change in that row.

--- Not applicable to specified model.

ITEM	DESCRIPTION	HC3B042F1B	HC3B048F1C	HC3B060F2B
1	Compressor	S1-01503592004	S1-01503594004	S1-01503891004
2*	Compressor Harness	S1-02531884000	S1-02531884000	S1-02531884000
3	Motor, Direct Drive Fan	S1-02427596700	S1-02427596700	S1-02427596700
4	Capacitor, Run (55/5MFD) [RC]	S1-02425049000	---	---
	Capacitor, Run (70/5MFD) [RC]	---	S1-02427616000	S1-02427616000
5	Contact, Electrical (40 AMP) [M]	S1-02425837700	S1-02425837700	S1-02425837700
6	Control Pressure (High)	S1-02538888001	S1-02538888001	S1-02538888001
7	Control Pressure (Low)	S1-02538889001	S1-02538889001	S1-02538889001
8	Control Defrost	S1-33102961000	S1-33102961000	S1-33102961000
9	Reversing Valve (Ranco)	S1-02538946000	S1-02538947000	S1-02538947000
	Reversing Valve (Danfoss)	S1-02533307002	S1-02542730000	S1-02542730000
10	Sensor, Temperature	S1-03101276000	S1-03101276000	S1-03101276000
11	Ambient Sensor	S1-02532701000	S1-02532701000	S1-02532701000
12	TXV	S1-02538739042	S1-02538739060	S1-02538739060
13	Solenoid Coil (Rev. Valve)(Ranco)	S1-02538948000	S1-02538948000	S1-02538948000
	Solenoid Coil (Rev. Valve)(Danfoss)	S1-02530215000	S1-02530215000	S1-02530215000
14	Valve Body	S1-02208982000	S1-02208982000	S1-02208982000
15	Distributor Assembly	S1-02533424234	S1-02533424236	S1-02533424236
16	Blade, Fan	S1-02639501000	S1-02639501000	S1-02642370000
17	Coil, Condenser	S1-37326995209	S1-37326995204	S1-37323881001
18	Bulkhead, Large	S1-02815507000	S1-02815507000	S1-02815507000
19	Accumulator Tank	S1-02625573002	S1-02625573007	S1-02625573007
20	Filter/Drier	S1-52636219000	S1-52636219000	S1-52636219000
21	Valve Base, Liquid (3/8")	S1-02209064375	S1-02209064375	S1-02209064375
22	Valve Base, Suction (7/8")	S1-02209064875	S1-02209064875	S1-02209064875
23	Top Cap Assy	S1-02814888001	S1-02814888001	S1-02814888001
24	Access Panel	S1-07327887003	S1-07327887003	S1-07327887004
25	Pan, Base	S1-02814885001	S1-02814885001	S1-03200214000
26	Panel, Top	S1-07327895002	S1-07327895002	S1-07327895001
27	Corner Post, Front (2 Req'd)	S1-07327888003	S1-07327888003	S1-07327888003
28	Corner Post, Access	S1-07327888006	S1-07327888006	S1-07327888006
29	Corner Post, Valve	S1-07327888009	S1-07327888009	S1-07327888009
30	Corner Cover, Access	S1-07327884001	S1-07327884001	S1-07327884001
31	Bracket, Corner Post	S1-07327885001	S1-07327885001	S1-07327885001
32	Coil Guard	S1-37323755003	S1-37323755003	S1-07323830002
33	Guard, Plastic Wire Mesh Coil	S1-02814879036	S1-02814879036	S1-02815464000
34	Fastener, Push-In (6 Req'd)	S1-02118381000	S1-02118381000	S1-02118381000
	Fastener, Push-In (2 Req'd)	S1-02131404000	S1-02131404000	S1-02131404000
35	Wireway	S1-02813216001	S1-02813216001	S1-02813216001
36	Lug, Electrical	S1-02521798000	S1-02521798000	S1-02521798000
37*	Relief, Strain	S1-02509080000	S1-02509080000	S1-02509080000
38	Bezel Plate Assy (1 Req'd)	S1-02814889001	S1-02814889001	S1-02814889001
39	Handle, Access	S1-02814886000	S1-02814886000	S1-02814886000
40	Guard, Fan	S1-02639438000	S1-02639438000	S1-02642282000
41	Grommet, Isolator (Comp) (Pkg. of 4)	S1-02810505000	S1-02810505000	S1-02810505000
42*	Grommet, Isolator (Accumulator)	S1-1212-0061	S1-1212-0061	S1-1212-0061
43*	Harness, Rev. Valve Solenoid (Ranco)	S1-02531923000	S1-02531923000	S1-02531923000
	Harness, Rev. Valve Solenoid (Danfoss)	S1-02542732000	S1-02542732000	S1-02542732000
44	Bolt, Compressor (4 Req'd)	S1-02118391000	S1-02118391000	S1-02118391000
45*	Screw, Black #10 x 3/8"	S1-02118396000	S1-02118396000	S1-02118396000
46*	Screw, Black #10 x 3/4"	S1-02118397000	S1-02118397000	S1-02118397000
47*	Screw, #8 x 1-1/4" (Base Valve)	S1-02118398000	S1-02118398000	S1-02118398000
48*	Diagram, Wiring	035-19618-002	035-19618-002	035-19618-002
49*	Wiring Harness, Control	S1-37326955003	S1-37326955003	S1-37326955003
50*	Wiring Harness, Fan	S1-37320055004	S1-37320055004	S1-37320055004
51*	Wiring Harness, Low Voltage	S1-37326955002	S1-37326955002	S1-37326955002
52	Kit, Motor Mounting (Acorn Nuts)	S1-36390117700	S1-36390117700	S1-36390117700
53*	Grommet, Plastic (Spacer, 2 Req'd)	S1-02814880000	S1-02814880000	S1-02814880000
54	Knurled Valve Cap, 1/4" OD	S1-02310745000	S1-02310745000	S1-02310745000
55	Insulation Door - Large	S1-01007631000	S1-01007631000	S1-01007631000
56*	Sensor, Discharge Temperature	S1-03101278000	S1-03101278000	S1-03101278000
57*	Tank, Compensator	---	---	S1-02635433000

**NOTE:** \*Not Shown  
New replacement parts shown in **bold** face type at the first printing of parts list dated 9/09.  
Major components and suggested stocking items are shown with shaded item number.   
"←" Across from row indicates a change in that row.  
--- Not applicable to specified model.

**NOTE: These units may use reversing valves from two vendors. Please match the reversing valve, solenoid coil, and wiring harness by vendor when replacing parts.**

**TO ORDER AUTHORIZED FACTORY REPLACEMENT PARTS** - Contact your Source1 HVAC Parts Distributor or visit our website at [www.Source1Parts.com](http://www.Source1Parts.com) for a Distributor and Dealer listing.