



www.Source1Parts.com

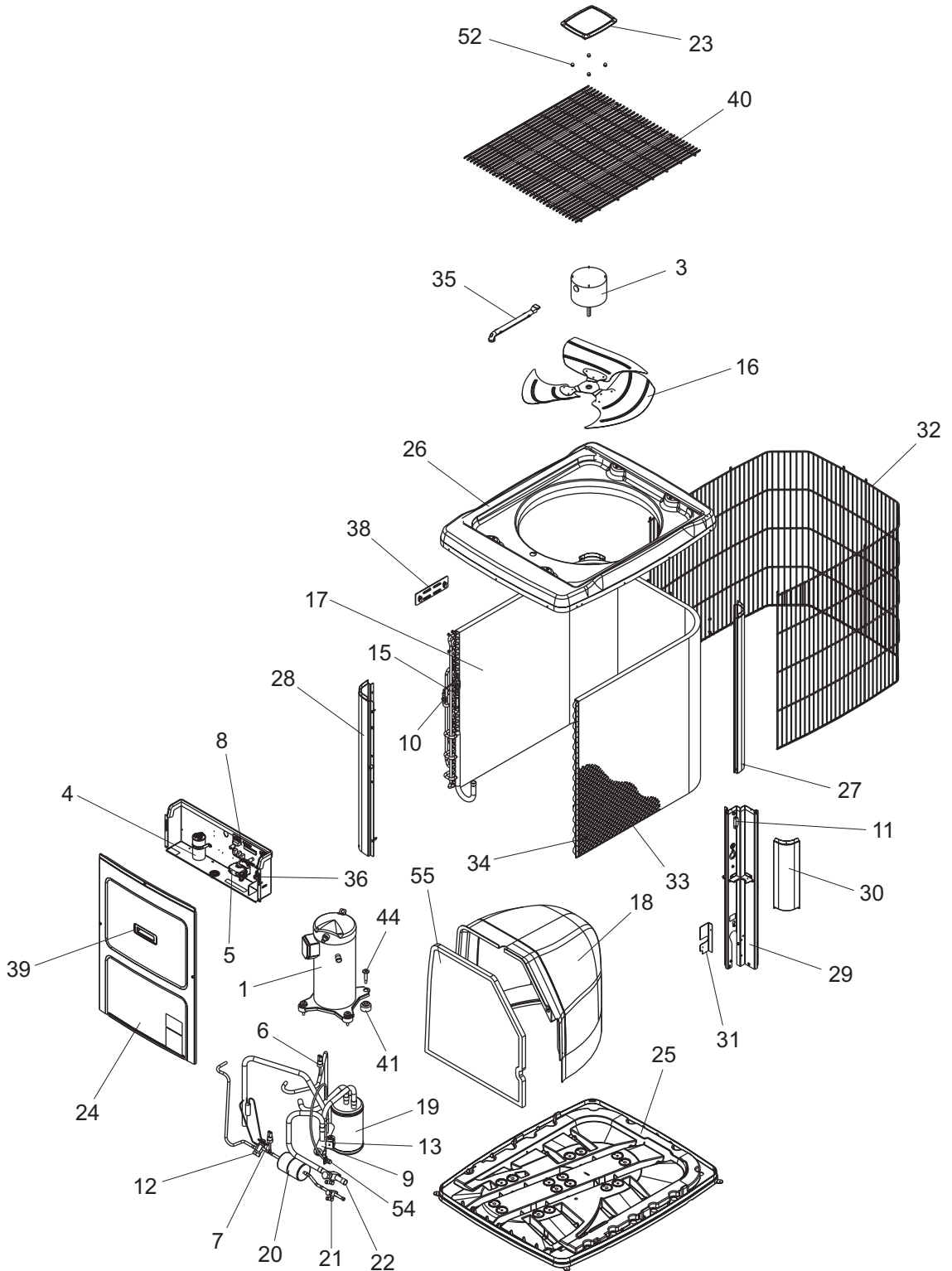
HC3 SERIES, 13 SEER HEAT PUMP - OUTDOOR UNIT (R-22) (STYLE B & C)

HVAC SERVICE PARTS

Supersedes:035-22205-001 Rev. A (0908)

035-22205-001 Rev. B (0609)

1 of 4



ITEM	DESCRIPTION	HC3A018F1B	HC3A024F1B	HC3A030F1B	HC3A036F1C
1	Compressor	S1-01503857004	S1-01503527004	S1-01502721004	S1-01503823001
2*	Compressor Harness	S1-02531884000	S1-02531884000	S1-02531884000	S1-02531884000
3	Motor, Direct Drive Fan	S1-02426029000	S1-02426029000	S1-02427596000	S1-02427596000
4	Capacitor, Run (30/5MFD) [RC]	S1-02424778000	---	---	---
	Capacitor, Run (35/5MFD) [RC]	---	S1-02423998000	---	---
	Capacitor, Run (40/5MFD) [RC]	---	---	S1-02425893000	S1-02425893000
5	Contact, Electrical (40 AMP) [M]	S1-02425837000	S1-02425837000	S1-02425837000	S1-02425837000
6	Control Pressure (High)	S1-02533305068	S1-02533305068	S1-02533305068	S1-02533305068
7	Control Pressure (Low)	S1-02539886000	S1-02539886000	S1-02539886000	S1-02539886000
8	Control Defrost	S1-33109178000	S1-33109178000	S1-33109178000	S1-33109178000
9	Reversing Valve	S1-02538945000	S1-02538945000	S1-02538946000	S1-02538946000
10	Sensor, Temperature	S1-03101276000	S1-03101276000	S1-03101276000	S1-03101276000
11	Ambient Sensor	S1-02532701000	S1-02532701000	S1-02532701000	S1-02532701000
12	TXV	S1-02209091000	S1-02209091000	S1-02209091000	S1-02209093000
13	Solenoid Coil (Rev. Valve)	S1-02538948000	S1-02538948000	S1-02538948000	S1-02538948000
14	Valve Body	S1-02208982000	S1-02208982000	S1-02208982000	S1-02208982000
15	Distributor Assembly	S1-02533424233	S1-02533424233	S1-02533424234	S1-02533424235
16	Blade, Fan	S1-02639500000	S1-02639500000	S1-02639501000	S1-02642370000
17	Coil, Condenser	S1-37323834001	S1-37323834002	S1-37323834003	S1-37323834004
18	Bulkhead, Small	S1-02815506000	S1-02815506000	S1-02815506000	---
	Bulkhead, Large	---	---	---	S1-02815506700
19	Accumulator Tank	S1-02642368000	S1-02642368000	S1-02642369000	S1-02642369000
20	Filter/Drier	S1-02625512000	S1-02625512000	S1-02625512000	S1-02625512000
21	Valve Base, Liquid (3/8")	S1-02209064375	S1-02209064375	S1-02209064375	S1-02209064375
22	Valve Base, Suction (3/4")	S1-02209064750	S1-02209064750	---	---
	Valve Base, Suction (7/8")	---	---	S1-02209064875	S1-02209064875
23	Top Cap Assy	S1-02814888001	S1-02814888001	S1-02814888001	S1-02814888001
24	Access Panel	S1-07327887001	S1-07327887002	S1-07327887003	S1-07327887004
25	Pan, Base	S1-02814885001	S1-02814885001	S1-02814885001	S1-03200214000
26	Panel, Top	S1-07327895002	S1-07327895002	S1-07327895002	S1-07327895001
27	Corner Post, Front (2 Req'd)	S1-07327888001	S1-07327888002	S1-07327888003	S1-07327888003
28	Corner Post, Access	S1-07327888004	S1-07327888005	S1-07327888006	S1-07327888006
29	Corner Post, Valve	S1-07327888007	S1-07327888008	S1-07327888009	S1-07327888009
30	Corner Cover, Access	S1-07327884001	S1-07327884001	S1-07327884001	S1-07327884001
31	Bracket, Corner Post	S1-07327885001	S1-07327885001	S1-07327885001	S1-07327885001
32	Coil Guard	S1-37323755001	S1-37323755002	S1-37323755003	S1-07323830002
33	Guard, Plastic Wire Mesh Coil	S1-02814879026	S1-02814879030	S1-02814879036	S1-02815464000
34*	Fastener, Push-In (8 Req'd)	S1-02118381000	S1-02118381000	S1-02118381000	S1-02118381000
35	Wireway	S1-02813216001	S1-02813216001	S1-02813216001	S1-02813216001
36	Lug, Electrical	S1-02521798000	S1-02521798000	S1-02521798000	S1-02521798000
37*	Relief, Strain	S1-02509080000	S1-02509080000	S1-02509080000	S1-02509080000
38*	Bezel Plate Assy (1 Req'd)	S1-02814889001	S1-02814889001	S1-02814889001	S1-02814889001
39	Handle, Access	S1-02814886000	S1-02814886000	S1-02814886000	S1-02814886000
40	Guard, Fan	S1-02639438000	S1-02639438000	S1-02639438000	S1-02642282000
41	Grommet, Isolator (Comp) (Pkg. of 4)	S1-02810505000	S1-02810505000	S1-02810505000	S1-02810505000
42*	Grommet, Isolator (Accumulator)	S1-1212-0061	S1-1212-0061	S1-1212-0061	S1-1212-0061
43					
44	Bolt, Compressor (4 Req'd)	S1-02118391000	S1-02118391000	S1-02118391000	S1-02118391000
45*	Screw, Black #10 x 3/8"	S1-02118396000	S1-02118396000	S1-02118396000	S1-02118396000
46*	Screw, Black #10 x 3/4"	S1-02118397000	S1-02118397000	S1-02118397000	S1-02118397000
47*	Screw, #8 x 1-1/4" (Base Valve)	S1-02118398000	S1-02118398000	S1-02118398000	S1-02118398000
48*	Diagram, Wiring	S1-03519618002	S1-03519618002	S1-03519618002	S1-03519618002
49*	Wiring Harness, Control	S1-37326955003	S1-37326955003	S1-37326955003	S1-37326955003
50*	Wiring Harness, Fan	S1-37320055004	S1-37320055004	S1-37320055004	S1-37320055004
51*	Wiring Harness, Low Voltage	S1-37326955002	S1-37326955002	S1-37326955002	S1-37326955002
52	Kit, Motor Mounting (Acorn Nuts)	S1-36390117700	S1-36390117700	S1-36390117700	S1-36390117700
53*	Grommet, Plastic (Spacer, 2 Req'd)	S1-02814880000	S1-02814880000	S1-02814880000	S1-02814880000
54	Knurled Valve Cap - 1/4" OD	S1-02310745000	S1-02310745000	S1-02310745000	S1-02310745000
55*	Insulation Door - Small	S1-01007630000	S1-01007630000	S1-01007630000	---
	Insulation Door - Large	---	---	---	S1-01007631000
56*	Sensor, Discharge Temperature	S1-03101278000	S1-03101278000	S1-03101278000	S1-03101278000
57*	Harness, Solenoid Coil	S1-1456-9771	S1-1456-9771	S1-1456-9771	S1-1456-9771
58*	Check Valve w/Muffler	---	---	---	S1-02209077000

NOTE: *Not Shown
 New replacement parts shown in **bold** face type at the first printing of parts list dated 6/09.
 Major components and suggested stocking items are shown with shaded item number.
 "<" Across from row indicates a change in that row.
 --- Not applicable to specified model.

ITEM	DESCRIPTION	HC3A042F1B	HC3A048F1B	HC3A060F1B
1	Compressor	S1-01503703004	S1-01503710004	S1-01503679004
2*	Compressor Harness	S1-02531884000	S1-02531884000	S1-02531884000
3	Motor, Direct Drive Fan	S1-02427596000	S1-02427596000	S1-02427596000
4	Capacitor, Run (60/5MFD) [RC]	S1-02425033000	S1-02425033000	---
	Capacitor, Run (70/5MFD) [RC]	---	---	S1-02427616000
5	Contact, Electrical (40 AMP) [M]	S1-02425837000	S1-02425837000	S1-02425837000
6	Control Pressure (High)	S1-02533305068	S1-02533305068	S1-02533305068
7	Control Pressure (Low)	S1-02539886000	S1-02539886000	S1-02539886000
8	Control Defrost	S1-33109178000	S1-33109178000	S1-33109178000
9	Reversing Valve	S1-02538947000	S1-02538947000	S1-02538947000
10	Sensor, Temperature	S1-03101276000	S1-03101276000	S1-03101276000
11	Ambient Sensor	S1-02532701000	S1-02532701000	S1-02532701000
12	TXV	S1-02209093000	S1-02209093000	S1-02209093000
13	Solenoid Coil (Rev. Valve)	S1-02538948000	S1-02538948000	S1-02538948000
14	Valve Body	S1-02208982000	S1-02208982000	S1-02208982000
15	Distributor Assembly	S1-02533424236	S1-02533424236	S1-02533424236
16	Blade, Fan	S1-02642370000	S1-02642370000	S1-02642370000
17	Coil, Condenser	S1-37323834005	S1-37323834006	S1-37323834006
18	Bulkhead, Large	S1-02815506700	S1-02815506700	S1-02815506700
19	Accumulator Tank	S1-02625573007	S1-02625573007	S1-02625573007
20	Filter/Drier	S1-02625512000	S1-02625512000	S1-02625512000
21	Valve Base, Liquid (3/8")	S1-02209064375	S1-02209064375	S1-02209064375
22	Valve Base, Suction (7/8")	S1-02209064875	S1-02209064875	S1-02209064875
23	Top Cap Assy	S1-02814888001	S1-02814888001	S1-02814888001
24	Access Panel	S1-07323829004	S1-07323829004	S1-07323829004
25	Pan, Base	S1-03200214000	S1-03200214000	S1-03200214000
26	Panel, Top	S1-07327895001	S1-07327895001	S1-07327895001
27	Corner Post, Front (2 Req'd)	S1-07327888003	S1-07327888003	S1-07327888003
28	Corner Post, Access	S1-07327888006	S1-07327888006	S1-07327888006
29	Corner Post, Valve	S1-07327888009	S1-07327888009	S1-07327888009
30	Corner Cover, Access	S1-07327884001	S1-07327884001	S1-07327884001
31	Bracket, Corner Post	S1-07327885001	S1-07327885001	S1-07327885001
32	Coil Guard	S1-07323830002	S1-07323830002	S1-07323830002
33	Guard, Plastic Wire Mesh Coil	S1-02815464000	S1-02815464000	S1-02815464000
34*	Fastener, Push-In (8 Req'd)	S1-02118381000	S1-02118381000	S1-02118381000
35	Wireway	S1-02813216001	S1-02813216001	S1-02813216001
36	Lug, Electrical	S1-02521798000	S1-02521798000	S1-02521798000
37*	Relief, Strain	S1-02509080000	S1-02509080000	S1-02509080000
38*	Bezel Plate Assy (1 Req'd)	S1-02814889001	S1-02814889001	S1-02814889001
39	Handle, Access	S1-02814886000	S1-02814886000	S1-02814886000
40	Guard, Fan	S1-02642282000	S1-02642282000	S1-02642282000
41	Grommet, Isolator (Comp) (Pkg. of 4)	S1-02810505000	S1-02810505000	S1-02810505000
42*	Grommet, Isolator (Accumulator)	S1-1212-0061	S1-1212-0061	S1-1212-0061
43				
44	Bolt, Compressor (4 Req'd)	S1-02118391000	S1-02118391000	S1-02118391000
45*	Screw, Black #10 x 3/8"	S1-02118396000	S1-02118396000	S1-02118396000
46*	Screw, Black #10 x 3/4"	S1-02118397000	S1-02118397000	S1-02118397000
47*	Screw, #8 x 1-1/4" (Base Valve)	S1-02118398000	S1-02118398000	S1-02118398000
48*	Diagram, Wiring	S1-03519618002	S1-03519618002	S1-03519618002
49*	Wiring Harness, Control	S1-37326955003	S1-37326955003	S1-37326955003
50*	Wiring Harness, Fan	S1-37320055004	S1-37320055004	S1-37320055004
51*	Wiring Harness, Low Voltage	S1-37326955002	S1-37326955002	S1-37326955002
52	Kit, Motor Mounting (Acorn Nuts)	S1-36390117700	S1-36390117700	S1-36390117700
53*	Grommet, Plastic (Spacer, 2 Req'd)	S1-02814880000	S1-02814880000	S1-02814880000
54	Knurled Valve Cap, 1/4" OD	S1-02310745000	S1-02310745000	S1-02310745000
55*	Insulation Door - Large	S1-01007631000	S1-01007631000	S1-01007631000
56*	Sensor, Discharge Temperature	S1-03101278000	S1-03101278000	S1-03101278000
57*	Harness, Solenoid Coil	S1-1456-9771	S1-1456-9771	S1-1456-9771

NOTE: *Not ShownNew replacement parts shown in **bold** face type at the first printing of parts list dated 6/09.

Major components and suggested stocking items are shown with shaded item number.

"←" Across from row indicates a change in that row.

--- Not applicable to specified model.

TO ORDER AUTHORIZED FACTORY REPLACEMENT PARTS - Contact your Source1 HVAC Parts Distributor or visit our website at www.Source1Parts.com for a Distributor and Dealer listing.