



www.Source1Parts.com

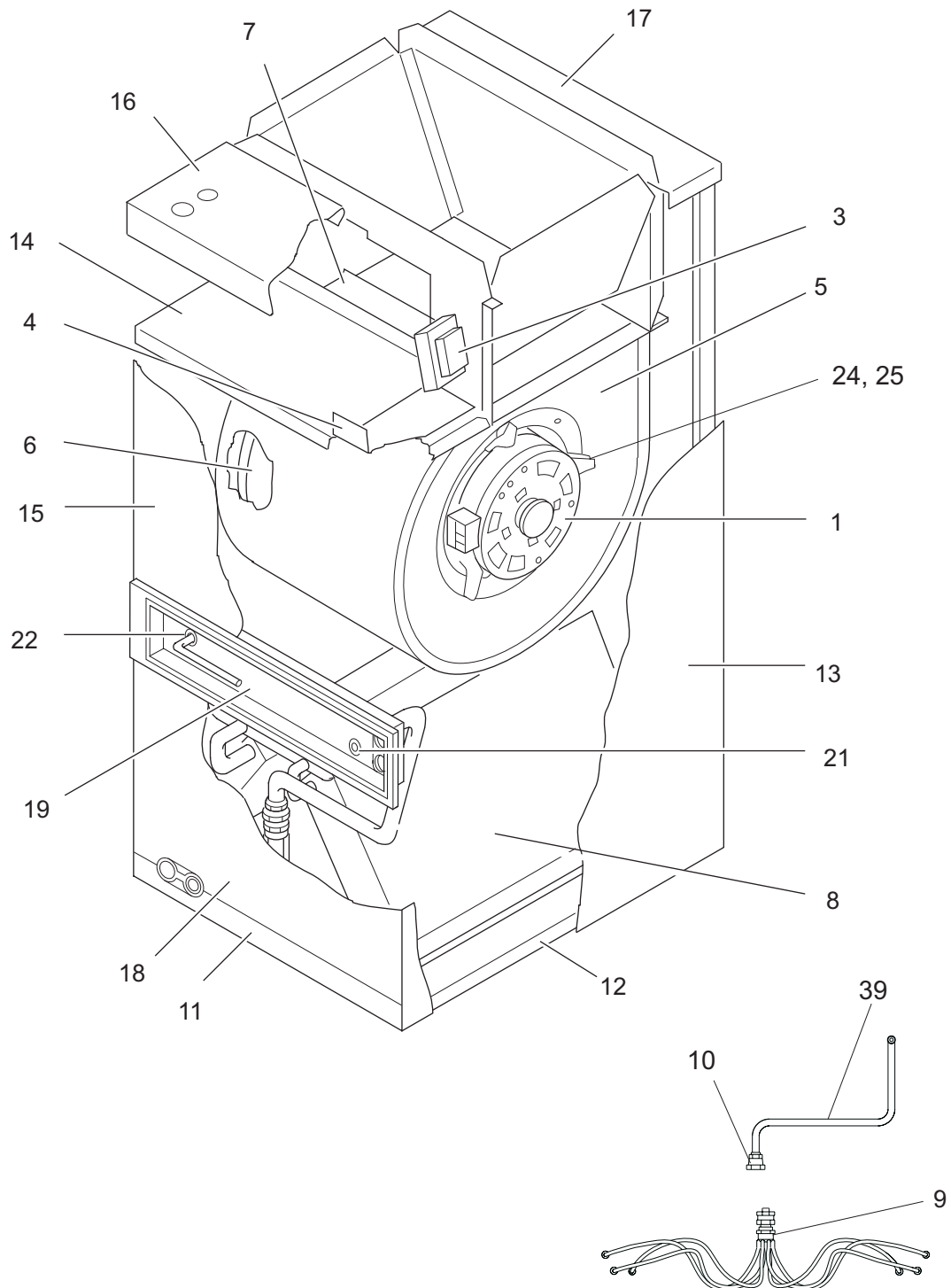
HVAC SERVICE PARTS

F6FP SERIES FAN COIL UNIT W/FLEX COIL (STYLE H)

Supersedes:035-22211-001 Rev. C (0709)

035-22211-001 Rev. D (0809)

1 of 4



ITEM	DESCRIPTION	F6FP018H06T3XH	F6FP024H06T3XH	F6FP030H06T3XH	F6FP036H06T3XH
1	Motor, X13 Blower(Programmed)	S1-02435821000	S1-02435821000	S1-02435821000	S1-02435822000
2	Relay, 240VAC	S1-02435714000	S1-02435714000	S1-02435714000	S1-02435714000
3	Transformer (40VA)	S1-02518452700	S1-02518452700	S1-02518452700	S1-02518452700
4	Module, Control	S1-03101264002	S1-03101264002	S1-03101264002	S1-03101264002
5	Housing, Blower	S1-37323861001	S1-37323861001	S1-37323861001	S1-37319707200
6	Wheel, Blower	S1-02634004000	S1-02634004000	S1-02634004000	S1-02634005000
7	Cutoff, Blower	S1-07314495000	S1-07314495000	S1-07314495000	S1-07314494000
8	Complete Coil w/Drain Pan	S1-37327868001	S1-37327868002	S1-37327868005	S1-37327868005
9	Distributor	S1-02209087000	S1-02209087000	S1-02209083000	S1-02209083000
10	Connector, Field	S1-02531890001	S1-02531890001	S1-02531890001	S1-02531890001
11	Door, Filter	S1-07320960000	S1-07320960000	S1-07320961000	S1-07320961000
12	Pan, Drain	S1-03200172001	S1-03200172001	S1-03200173001	S1-03200173001
13	Wrapper	S1-37320995004	S1-37320995004	S1-37320995005	S1-37320995005
14	Panel, Control	S1-07317920000	S1-07317920000	S1-07317920000	S1-07322087000
15	Panel, Door (Top)	S1-37315383004	S1-37315383004	S1-37315383005	S1-37315383005
16	Panel, Front Top	S1-37315422004	S1-37315422004	S1-37315422005	S1-37315422005
17	Panel, Rear Top	S1-37315421004	S1-37315421004	S1-37315421005	S1-37315421005
18	Panel, Bottom (Front)	S1-37315384004	S1-37315384004	S1-37315384005	S1-37315384005
19	Panel, Recessed	S1-03200148004	S1-03200148004	S1-03200148005	S1-03200148005
20*	Plate, Circuit Breaker	S1-03200161000	S1-03200161000	S1-03200161000	S1-03200161000
21*	Grommet, 3/8"	S1-02813202000	S1-02813202000	S1-02813202000	S1-02813202000
22*	Grommet, 5/8"	S1-02813203000	---	---	---
	Grommet, 3/4"	---	S1-02813204000	---	---
	Grommet, 7/8"	---	---	S1-02813205000	S1-02813205000
23*	Stand-off, Plastic	S1-02813201000	S1-02813201000	S1-02813201000	S1-02813201000
24	Motor Mount, 1 PC.	S1-37319831002	S1-37319831002	S1-37319831002	S1-37319831002
25	Grommet, Motor Mount (3 Req'd)	S1-02814740000	S1-02814740000	S1-02814740000	S1-02814740000
26*	Pan, Horizontal Drain	S1-03200175001	S1-03200175001	S1-03200175001	S1-03200175001
27*	Harness, X13 Motor	S1-02541263000	S1-02541263000	S1-02541263000	S1-02541263000
28*	Harness, Low Voltage	S1-02541446000	S1-02541446000	S1-02541446000	S1-02541446000
29*	Harness, Power	S1-37315424001	S1-37315424001	S1-37315424001	S1-37315424001
30*	Harness, Low Volt Plug (Jumper)	S1-37315425001	S1-37315425001	S1-37315425001	S1-37315425001
31*	Cap, Distributor	S1-02322438000	S1-02322438000	S1-02322438000	S1-02322438000
32*	Lug, Ground, Electrical	S1-02521798000	S1-02521798000	S1-02521798000	S1-02521798000
33*	Diagram, Wiring	430396	430396	430396	430396
34	Panel, Duct Side	S1-07314484000	S1-07314484000	S1-07314484000	S1-07318198000
35	Panel, Rear Duct	S1-07318172000	S1-07318172000	S1-07318172000	S1-07317924000
36	Rail, Support, Drain Pan	S1-03200182001	S1-03200182001	S1-03200182001	S1-03200182001
37*	Insulation, Recessed Panel	S1-01006911084	S1-01006911084	S1-01006911085	S1-01006911085
38					
39	Line Assy, Liquid (Includes item 10)	S1-02322446000	S1-02322446000	S1-02322447000	S1-02322447000

NOTE: *Not ShownNew replacement parts shown in **bold** face type at the first printing of parts list dated 8/09.

Major components and suggested stocking items are shown with shaded item number.

"←" Across from row indicates a change in that row.

--- Not applicable to specified model.

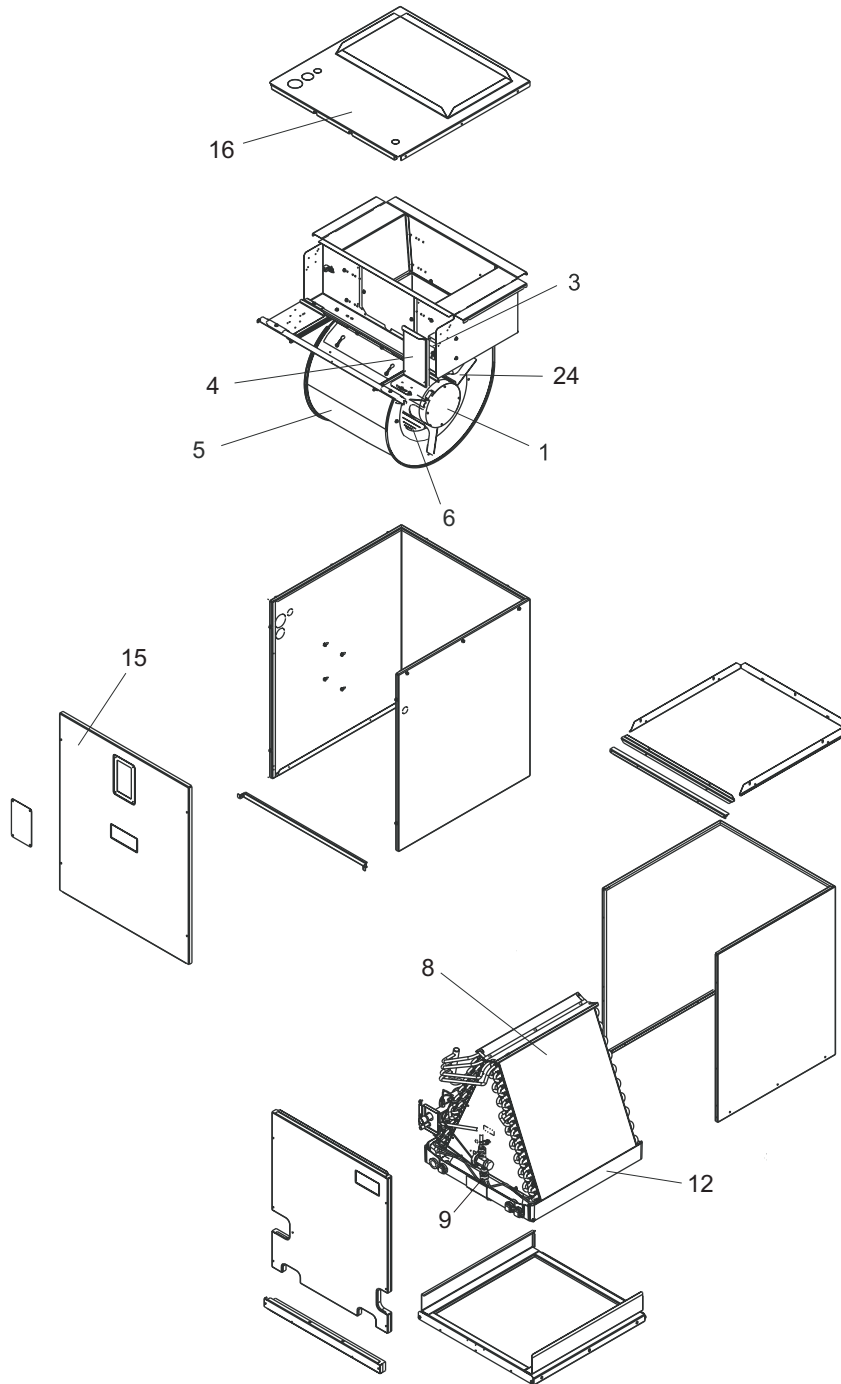
ITEM	DESCRIPTION	F6FP042H06T3XH	F6FP048H06T3XH	F6FP060H06T3XH (See Page 4 DWG.)
1	Motor, X13 Blower(Programmed)	S1-02435880000	S1-02435823000	S1-02435823000
2	Relay, 240VAC	S1-02435714000	S1-02435714000	---
3	Transformer	S1-02518452700	S1-02518452700	S1-02518452700
4	Module, Control	S1-03101264002	S1-03101264002	S1-03109156000
5	Housing, Blower	S1-37318075003	S1-37318075003	---
	Housing, Blower (with wheel)	---	---	S1-02642412000
6	Wheel, Blower	S1-02634501000	S1-02634501000	S1-02642199000
7	Cutoff, Blower	S1-07315745000	S1-07315745000	---
8	Complete Coil w/Drain Pan	S1-37327868007	S1-37327868008	S1-37327809002
9	Distributor	S1-02209084000	S1-02540999000	S1-02541001000
10	Connector, Field	S1-02531890001	S1-02531890001	S1-02531890001
11	Door, Filter	S1-07320962000	S1-07320962000	---
12	Pan, Drain	S1-03200170001	S1-03200170001	S1-37323794003
13	Wrapper	S1-37320996016	S1-37320996016	---
14	Panel, Control	S1-07318369000	S1-07318369000	---
15	Panel, Door (Top)	S1-37318081001	S1-37318081001	S1-37323843001
16	Panel, Front Top	S1-37315422016	S1-37315422016	S1-37323831003
17	Panel, Rear Top	S1-37315421016	S1-37315421016	---
18	Panel, Bottom (Front)	S1-37316621002	S1-37316621002	---
19	Panel, Recessed	S1-03200148006	S1-03200148006	---
20*	Plate, Circuit Breaker	S1-03200158000	S1-03200158000	---
21*	Grommet, 3/8"	S1-02813202000	S1-02813202000	S1-02813209000
22*	Grommet, 7/8"	S1-02813205000	S1-02813205000	S1-02813205000
23*	Stand-off, Plastic	S1-02813201000	S1-02813201000	---
24	Mount, Motor, 1PC.	S1-37319831002	S1-37319831002	S1-37319831002
25	Grommet, Motor Mount (3 Req'd)	S1-02814740000	S1-02814740000	S1-02814740000
26*	Pan, Horizontal Drain	S1-03200176001	S1-03200176001	S1-03200218000
27*	Harness, X13 Motor	S1-02541263000	S1-02541263000	S1-02539872000
28*	Harness, Low Voltage	S1-02541446000	S1-02541446000	S1-02541452000
29*	Harness, Power	S1-37315424001	S1-37315424001	---
30*	Harness, Low Volt Plug (Jumper)	S1-37315425001	S1-37315425001	---
31*	Cap, Distributor	S1-02322438000	S1-02322438000	S1-02322438000
32*	Lug, Ground, Electrical	S1-02521798000	S1-02521798000	S1-02521798000
33*	Diagram, Wiring	430396	430396	164797
34	Panel, Duct Side	S1-07317922000	S1-07317922000	---
35	Panel, Rear Duct	S1-07317923000	S1-07317923000	---
36	Rail, Support, Drain Pan	S1-03200182001	S1-03200182001	---
37*	Insulation, Recessed Panel	S1-01006911086	S1-01006911086	---
38*	Cover, Hairpin	---	---	S1-03109145000
39	Line Assy, Liquid (Includes item 10)	S1-02322448000	S1-02322449000	S1-02321574000
40*	Baffle, Condensate Kit	---	---	S1-37323890004
41*	Baffle, Condensate Kit, (Hor)	---	---	S1-37323890005

NOTE: *Not ShownNew replacement parts shown in **bold** face type at the first printing of parts list dated 8/09.

Major components and suggested stocking items are shown with shaded item number.

"←" Across from row indicates a change in that row.

--- Not applicable to specified model.



TO ORDER AUTHORIZED FACTORY REPLACEMENT PARTS - Contact your Source1 HVAC Parts Distributor or visit our website at www.Source1Parts.com for a Distributor and Dealer listing.