



www.Source1Parts.com

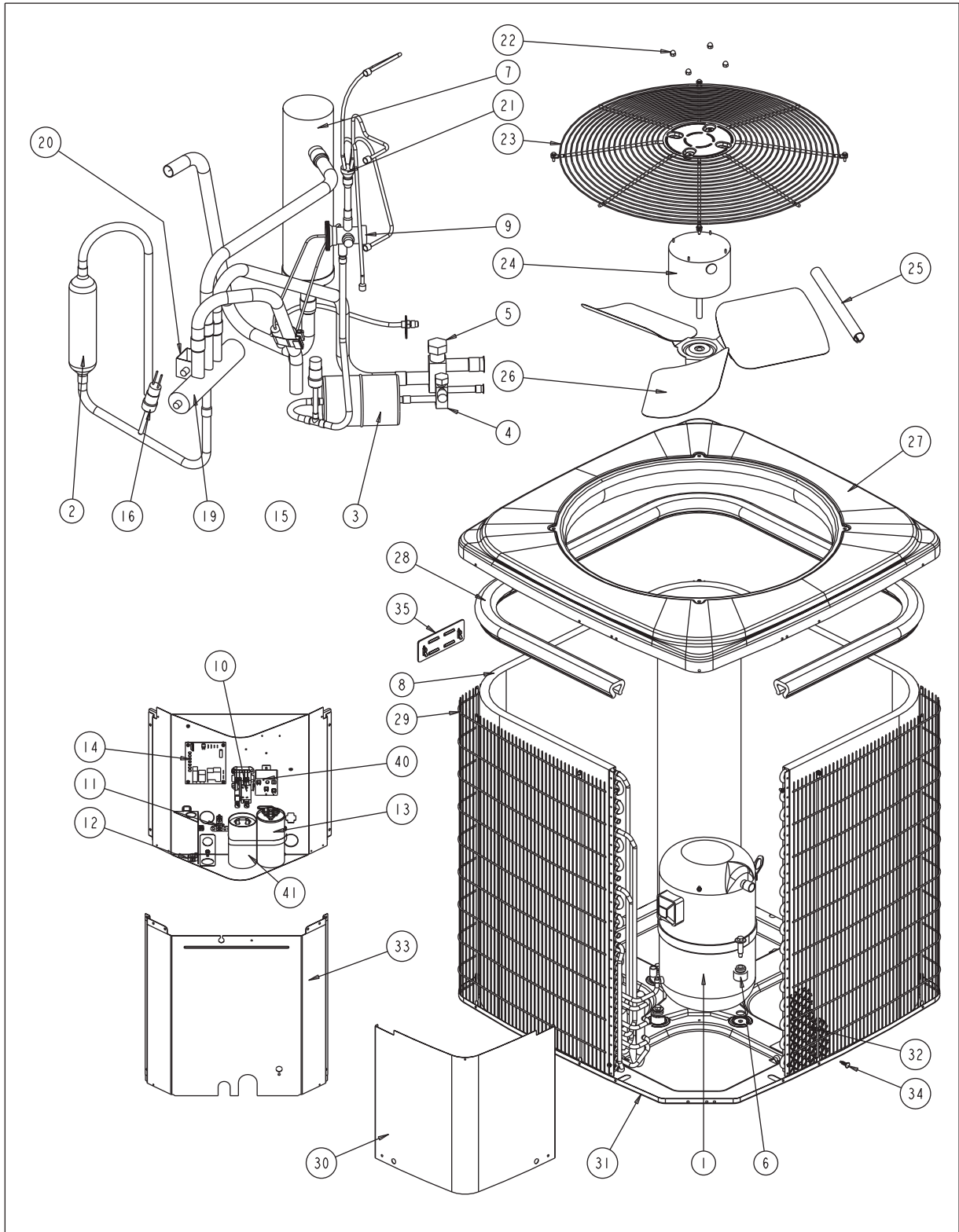
HVAC SERVICE PARTS

# THRD SERIES - TUBE & FIN 13 SEER HEAT PUMP - R410A (STYLE A)

Supersedes:035-22212-001 Rev. E (0509)

035-22212-001 Rev. F (0609)

1 of 4



ITEM	DESCRIPTION	THRD18S41S1A	THRD24S41S1A	THRD30S41S1A	THRD36S41S1A
1	Compressor	S1-01504207011	S1-01504076004	S1-01504201004	S1-01504200004
2	Muffler, Discharge	---	---	---	---
3	Filter Drier	S1-02645689000	S1-02645689000	S1-52636219000	S1-52636219000
4	Base Valve (3/8") (Liquid)	S1-02531899000	S1-02531899000	S1-02531899000	S1-02531899000
5	Base Valve (3/4") (Suction)	S1-02531900000	S1-02531900000	S1-02531900000	S1-02531900000
6	Compressor Mount (Pkg. of 4)	S1-02809519000	S1-02809519000	S1-02809519000	S1-02809519000
7	Accumulator	S1-02634089000	S1-02634089000	S1-02635441000	S1-02635441000
8	Outdoor Coil Assembly	S1-37327890004	S1-37327890004	S1-37327890003	S1-37327845001
9	TXV/Distributor	S1-02541450000	S1-02541450000	S1-02541449000	S1-02541449000
10	Contactora (30 amp)	S1-02427531000	S1-02427531000	S1-02427531000	S1-02427531000
11	Lug, Ground	S1-02521798000	S1-02521798000	S1-02521798000	S1-02521798000
12	Relief, Strain	S1-02509080000	S1-02509080000	S1-02509080000	S1-02509080000
13	Dual Capacitor (30/5 MFD)	S1-02424778700	---	---	---
	Dual Capacitor (35/5 MFD)	---	S1-02423998700	S1-02423998700	---
	Dual Capacitor (40/5 MFD)	---	---	---	S1-02425893700
14	Board, Defrost Control	S1-33101975102	S1-33101975102	S1-33101975102	S1-33101975102
15	Pressure Switch, Low	S1-02541264000	S1-02541264000	S1-02541264000	S1-02541264000
16	Pressure Switch, High	S1-02535359000	S1-02535359000	S1-02535359000	S1-02535359000
17*	Sensor, Temperature (Coil)	S1-03101276000	S1-03101276000	S1-03101276000	S1-03101276000
18*	Sensor, Temperature (Ambient)	S1-02532701016	S1-02532701016	S1-02532701016	S1-02532701016
19	Valve, Reversing	S1-02538944000	S1-02538944000	S1-02538945000	S1-02538945000
20	Solenoid Coil, Reversing Valve	S1-02538948000	S1-02538948000	S1-02538948000	S1-02538948000
21	Assembly, Distributor	See Item #9	See Item #9	See Item #9	See Item #9
22	Kit, Motor Mounting (Acorn Nuts)	S1-36390117700	S1-36390117700	S1-36390117700	S1-36390117700
23	Guard, Fan	S1-02642483000	S1-02642483000	S1-02642487000	S1-02642586000
24	Motor, Fan	S1-02435328000	S1-02435328000	S1-02435328000	S1-02435819000
25	Wireway	S1-02815877000	S1-02815877000	S1-02815873000	S1-02815864000
26	Blade, Fan	S1-02634754000	S1-02634754000	S1-32634097000	S1-02642434000
27	Top	S1-07323893001	S1-07323893001	S1-07323893002	S1-07327844001
28	Foam, Outdoor Coil	S1-02815508000	S1-02815508000	S1-02815509000	S1-02815863000
29	Guard, Coil	S1-07327821003	S1-07327821003	S1-07327821014	S1-07327846005
30	Cover, Control Box	S1-07323895002	S1-07323895002	S1-07323895002	S1-07323895002
31	Pan, Base	S1-07323894001	S1-07323894001	S1-07323894002	S1-07327844002
32	Coil Guard, Plastic Mesh	S1-02642492000	S1-02645712000	S1-02645711000	S1-02814728000
33	Panel, Blockoff	S1-07323898001	S1-07323898001	S1-07323898001	S1-07323898001
34	Fastener, Push-in (6 Req'd)	S1-02118381000	S1-02118381000	S1-02118381000	S1-02118381000
35	Plate, Bezel	S1-02815487000	S1-02815487000	S1-02815487000	S1-02815487000
36*	Harness, Wire	S1-37326955005	S1-37326955005	S1-37326955005	S1-37326955005
37*	Harness, Reversing Valve	S1-02531923000	S1-02531923000	S1-02531923000	S1-02531923000
38*	Harness, Main Wiring	S1-37320055004	S1-37320055004	S1-37320055004	S1-37320055004
39*	Harness, Compressor	S1-02531884000	S1-02531884000	S1-02531884000	S1-02531884000
40	Relay, Start	S1-1497-4411	S1-02425391000	S1-1497-4111	S1-02425035000
41	Capacitor, Start	S1-02425071700	S1-02431993000	S1-02425071700	S1-02425076700
42*	Switch, High Temperature	---	---	---	---
43*	Orifice (.049)	S1-02919387028	---	---	---
	Orifice (.055)	---	S1-02919387014	---	---
	Orifice (.060)	---	---	S1-02924488000	---
	Orifice (.067)	---	---	---	S1-02919387016
424	Wiring Diagram	331677	331677	331677	331677

**NOTE:** \*Not Shown  
New replacement parts shown in **bold** face type at the first printing of parts list dated 6/09.  
Major components and suggested stocking items are shown with shaded item number.   
"←" Across from row indicates a change in that row.  
--- Not applicable to specified model.

ITEM	DESCRIPTION	THR42S41S1A	THR48S41S1A	THR60S41S1A
1	Compressor	S1-01504199004	<b>S1-01504290001</b>	S1-01503891004
2	Muffler, Discharge	S1-02642465000	---	---
	Muffler w/Check Valve		S1-02209077000	
3	Filter Drier	S1-52636219000	S1-52636219000	S1-52636219000
4	Base Valve (3/8") (Liquid)	S1-02531899000	S1-02531899000	S1-02531899000
5	Base Valve (3/4") (Suction)	S1-02531900000	---	---
	Base Valve (7/8") (Suction)	---	S1-02531901000	S1-02531901000
6	Compressor Mount (Pkg. of 4)	S1-02809519000	S1-02809519000	S1-02810581000
7	Accumulator	S1-02635441000	S1-02635441000	S1-02625573008
8	Outdoor Coil Assembly	S1-37327890002	S1-37327890001	S1-37327847002
9	TXV/Distributor Assembly	S1-02541448000	S1-02541447000	S1-02542636000
	TXV		S1-02541339000	
10	Contactora (30 amp)	S1-02427531000	S1-02427531000	---
	Contactora (40 amp)	---	---	S1-02425837700
11	Lug, Ground	S1-02521798000	S1-02521798000	S1-02521798000
12	Relief, Strain	S1-02509080000	S1-02509080000	S1-02509080000
13	Dual Capacitor (45/5 MFD)	S1-02425895700	S1-02425120700	---
	Dual Capacitor (55/5 MFD)	---	---	---
	Dual Capacitor (70/5 MFD)	---	---	S1-02435844000
14	Board, Defrost Control	S1-33101975102	S1-33101975102	S1-33101975102
15	Pressure Switch, Low	S1-02541264000	S1-02541264000	S1-02541264000
16	Pressure Switch, High	S1-02535359000	S1-02535359000	S1-02535359000
17*	Sensor, Temperature (Coil)	S1-03101276000	S1-03101276000	S1-03101276000
18*	Sensor, Temperature (Ambient)	S1-02532701016	S1-02532701016	S1-02532701016
19	Valve, Reversing	S1-02538945000	S1-02538946000	S1-02538947000
20	Solenoid Coil, Reversing Valve	S1-02538948000	S1-02538948000	S1-02538948000
21	Assembly, Distributor	See Item #9	S1-02533424234	See Item #9
22	Kit, Motor Mounting (Acorn Nuts)	S1-36390117700	S1-36390117700	S1-36390117700
23	Guard, Fan	S1-02642586000	S1-02642586000	S1-02642586000
24	Motor, Fan	S1-02435819000	S1-02435819000	S1-02435819000
25	Wireway	S1-02815864000	S1-02815864000	S1-02815864000
26	Blade, Fan	S1-02642434000	S1-02642434000	S1-02642434000
27	Top	S1-07327844001	S1-07327844001	S1-07327844001
28	Foam, Outdoor Coil	S1-02815863000	S1-02815863000	S1-02815869000
29	Guard, Coil	S1-07327846005	S1-07327846008	S1-07327846008
30	Cover, Control Box	S1-07323895002	S1-07323895002	S1-07323895002
31	Pan, Base	S1-07327844002	S1-07327844002	S1-07327844002
32	Coil Guard, Plastic Mesh	S1-02814728000	S1-02814733000	S1-02814733000
33	Panel, Blockoff	S1-07323898001	S1-07327808001	S1-07327808001
34	Fastener, Push-in (6 Req'd)	S1-02118381000	S1-02118381000	S1-02118381000
35	Plate, Bezel	S1-02815487000	S1-02815487000	S1-02815487000
36*	Harness, Wire	S1-37326955005	S1-37326955005	S1-37326955005
37*	Harness, Reversing Valve	S1-02531923000	S1-02531923000	S1-02531923000
38*	Harness, Main Wiring	S1-37320055004	S1-37320055004	S1-37320055004
39*	Harness, Compressor	S1-02531884000	S1-02531884000	S1-02531884000
40	Relay, Start	S1-02425053000	---	---
41	Capacitor, Start	S1-02425076700	---	---
42*	Switch, High Temperature	---	---	---
43*	Orifice (.075)	S1-02919387017	---	---
	Orifice (.078)	---	S1-02919387006	---
	Orifice (.081)	---	S1-02919387012	---
44*	Wiring Diagram	331677	331677	331677

**NOTE:** \*Not ShownNew replacement parts shown in **bold** face type at the first printing of parts list dated 6/09.

Major components and suggested stocking items are shown with shaded item number.

"←" Across from row indicates a change in that row.

--- Not applicable to specified model.

**TO ORDER AUTHORIZED FACTORY REPLACEMENT PARTS** - Contact your Source1 HVAC Parts Distributor or visit our website at [www.Source1Parts.com](http://www.Source1Parts.com) for a Distributor and Dealer listing.

Subject to change without notice. Published in U.S.A.  
Copyright © 2009 by Johnson Controls, Inc. All rights reserved.

035-22212-001 Rev. F (0609)  
Supersedes: 035-22212-001 Rev. E (0509)

---

**Johnson Controls Unitary Products**  
5005 York Drive  
Norman, OK 73069