



www.Source1Parts.com

MC SERIES (STYLE H) MULTI-POSITION COIL W/HORIZONTAL PAN R-410A TXV MODELS

HVAC SERVICE PARTS

Supersedes: 035-22221-001 Rev. C (0509)

035-22221-001 Rev. D (0809)

1 of 4

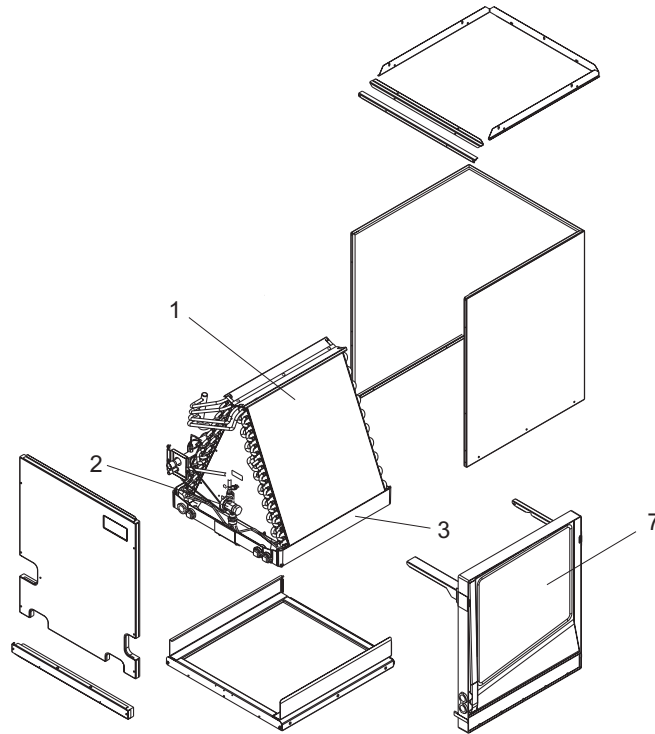


Figure 1 : MULT-POSITION COIL W/HORIZONTAL PAN - R-410A TXV

ITEM	DESCRIPTION	MC18A4EH1H	MC18A4FH1H	MC18B4EH1H	MC24A4FH1H	MC24B4FH1H
1	COIL W/DRAIN PAN (See Note 1)	S1-37323793034	S1-37323793034	S1-37323793010	S1-3732379012	S1-37323793013
2	TXV	S1-1TVM4E1	S1-1TVM4F1	S1-1TVM4E1	S1-1TVM4F1	S1-1TVM4F1
3	DRAIN PAN W/INSULATION	S1-37323794004	S1-37323794004	S1-37323794005	S1-37323794004	S1-37323794005
4*	GROMMET, 3/4"	S1-02813204000	S1-02813204000	S1-02813204000	S1-02813204000	S1-02813204000
5*	GROMMET, 3/8"	S1-02813209000	S1-02813209000	S1-02813209000	S1-02813209000	S1-02813209000
6*	COVER, HAIRPIN (2 Req'd)	S1-03100205000	S1-03100205000	S1-03100205000	S1-03100205000	S1-03100207000
7	DRAIN PAN (Horizontal)	S1-03200215000	S1-03200215000	S1-03200215000	S1-03200215000	S1-03200216000
8*	DISTRIBUTOR	S1-02209089000	S1-02209089000	S1-02209089000	S1-02209089000	S1-02209089000
9*	FIELD CONNECTOR	S1-02531890001	S1-02531890001	S1-02531890001	S1-02531890001	S1-02531890001
10						
11*	LIQUID LINE	S1-02321571000	S1-02321571000	S1-02321572000	S1-02321572000	S1-02321572000
12*	BAFFLE KIT, CONDENSATE	S1-37323890001	S1-37323890001	S1-37323890002	S1-37323890001	S1-37323890002
13*	CLIP, BAFFLE	S1-02131402000	S1-02131402000	S1-02131402000	S1-02131402000	S1-02131402000

ITEM	DESCRIPTION	MC30A4EH1H	MC30A4FH1H	MC30B4EH1H	MC30B4FH1H
1	COIL W/DRAIN PAN (See Note 1)	S1-37323793012	S1-37323793012	S1-37323793013	S1-37323793013
2	TXV	S1-1TVM4E1	S1-1TVM4F1	S1-1TVM4E1	S1-1TVM4F1
3	DRAIN PAN W/INSULATION	S1-37323794004	S1-37323794004	S1-37323794004	S1-37323794004
4*	GROMMET, 3/4"	S1-02813204000	S1-02813204000	S1-02813204000	S1-02813204000
5*	GROMMET, 3/8"	S1-02813209000	S1-02813209000	S1-02813209000	S1-02813209000
6*	COVER, HAIRPIN (2 Req'd)	S1-03100207000	S1-03100207000	S1-03100207000	S1-03100207000
7	DRAIN PAN (Horizontal)	S1-03200216000	S1-03200216000	S1-03200216000	S1-03200216000
8*	DISTRIBUTOR	S1-02209089000	S1-02209089000	S1-02209089000	S1-02209089000
9*	FIELD CONNECTOR	S1-02531890001	S1-02531890001	S1-02531890001	S1-02531890001
10					
11*	LIQUID LINE	S1-02321571000	S1-02321571000	S1-02321572000	S1-02321572000
12*	BAFFLE KIT, CONDENSATE	S1-37323890001	S1-37323890001	S1-37323890002	S1-37323890002
13*	CLIP, BAFFLE	S1-02131402000	S1-02131402000	S1-02131402000	S1-02131402000

NOTE: *Not Shown
 New replacement parts shown in **bold** face type at the first printing of parts list dated 8/09
 Major components and suggested stocking items are shown with shaded item number.
 "<" Across from row indicates a change in that row.
 --- Not applicable to specified model.
 1 Coil does not include TXV.

Figure 1: MULT-POSITION COIL W/HORIZONTAL PAN - R-410A TXV

ITEM	DESCRIPTION	MC32A4FH1H	MC32A4GH1H	MC32A4MH1H	MC35B4FH1H	MC35B4GH1H
1	COIL W/DRAIN PAN (See Note 1)	S1-37323899002	S1-37323899002	S1-37323899002	S1-37323793001	S1-37323793001
2	TXV	S1-1TVM4F1	S1-1TVM4G1	S1-1TVM4M1	S1-1TVM4F1	S1-1TVM4G1
3	DRAIN PAN W/INSULATION	S1-37323899102	S1-37323899102	S1-37323899102	S1-37323794001	S1-37323794001
4*	GROMMET, 3/4"	S1-02813204000	S1-02813204000	S1-02813204000	S1-02813204000	S1-02813204000
5*	GROMMET, 3/8"	S1-02813209000	S1-02813209000	S1-02813209000	S1-02813209000	S1-02813209000
6*	COVER, HAIRPIN (2 Req'd)	S1-03100209000	S1-03100209000	S1-03100209000	S1-03100209000	S1-03100209000
7	DRAIN PAN (Horizontal)	S1-03200215000	S1-03200215000	S1-03200215000	S1-03200215000	S1-03200215000
8*	DISTRIBUTOR	S1-02209083000	S1-02209083000	S1-02209083000	S1-02209083000	S1-02209083000
9*	FIELD CONNECTOR	S1-02531890001	S1-02531890001	S1-02531890001	S1-02531890001	S1-02531890001
10						
11*	LIQUID LINE	S1-02321571000	S1-02321571000	S1-02321571000	S1-02321572000	S1-02321572000
12*	BAFFLE KIT, CONDENSATE	S1-37323890001	S1-37323890001	S1-37323890001	S1-37323890002	S1-37323890002
13*	CLIP, BAFFLE	S1-02131402000	S1-02131402000	S1-02131402000	S1-02131402000	S1-02131402000

ITEM	DESCRIPTION	MC35B4HH1H	MC35B4MH1H	MC35C4FH1H	MC35C4GH1H	MC35C4HH1H
1	COIL W/DRAIN PAN (See Note 1)	S1-37323793001	S1-37323793001	S1-37323865001	S1-37323865001	S1-37323865001
2	TXV	S1-1TVM4H1	S1-1TVM4M1	S1-1TVM4F1	S1-1TVM4G1	S1-1TVM4H1
3	DRAIN PAN W/INSULATION	S1-37323794001	S1-37323794001	S1-37323794002	S1-37323794002	S1-37323794002
4*	GROMMET, 3/4"	S1-02813204000	S1-02813204000	S1-02813204000	S1-02813204000	S1-02813204000
5*	GROMMET, 3/8"	S1-02813209000	S1-02813209000	S1-02813209000	S1-02813209000	S1-02813209000
6*	COVER, HAIRPIN	S1-03100209000	S1-03100209000	S1-03100209000	S1-03100209000	S1-03100209000
7	DRAIN PAN (Horizontal)	S1-03200215000	S1-03200215000	S1-03200215000	S1-03200215000	S1-03200215000
8*	DISTRIBUTOR	S1-02209083000	S1-02209083000	S1-02209083000	S1-02209083000	S1-02209083000
9*	FIELD CONNECTOR	S1-02531890001	S1-02531890001	S1-02531890001	S1-02531890001	S1-02531890001
10						
11*	LIQUID LINE	S1-02321572000	S1-02321572000	S1-02321573000	S1-02321573000	S1-02321573000
12*	BAFFLE KIT, CONDENSATE	S1-37323890002	S1-37323890002	S1-37323890003	S1-37323890003	S1-37323890003
13*	CLIP, BAFFLE	S1-02131402000	S1-02131402000	S1-02131402000	S1-02131402000	S1-02131402000

ITEM	DESCRIPTION	MC35C4MH1H	MC36A4EH1H	MC36A4FH1H	MC36A4GH1H	MC36A4HH1H
1	COIL W/DRAIN PAN (See Note 1)	S1-37323865001	S1-37323793015	S1-37323793015	S1-37323793015	S1-37323793015
2	TXV	S1-1TVM4M1	S1-1TVM4E1	S1-1TVM4F1	S1-1TVM4G1	S1-1TVM4H1
3	DRAIN PAN W/INSULATION	S1-37323794002	S1-37323794004	S1-37323794004	S1-37323794004	S1-37323794004
4*	GROMMET, 3/4"	S1-02813204000	---	---	---	---
	GROMMET, 7/8"	---	S1-02813205000	S1-02813205000	S1-02813205000	S1-02813205000
5*	GROMMET, 3/8"	S1-02813209000	S1-02813209000	S1-02813209000	S1-02813209000	S1-02813209000
6*	COVER, HAIRPIN (2 Req'd)	S1-03100209000	S1-03100208000	S1-03100208000	S1-03100208000	S1-03100208000
7	DRAIN PAN (Horizontal)	S1-03200215000	S1-03200216000	S1-03200216000	S1-03200216000	S1-03200216000
8*	DISTRIBUTOR	S1-02209083000	S1-02209089000	S1-02209089000	S1-02209089000	S1-02209089000
9*	FIELD CONNECTOR	S1-02531890001	S1-02531890001	S1-02531890001	S1-02531890001	S1-02531890001
10						
11*	LIQUID LINE	S1-02321573000	S1-02321571000	S1-02321571000	S1-02321571000	S1-02321571000
12*	Baffle Kit, Condensate	S1-37323890003	S1-37323890001	S1-37323890001	S1-37323890001	S1-37323890001
13	Clip, Baffle	S1-02131402000	S1-02131402000	S1-02131402000	S1-02131402000	S1-02131402000

ITEM	DESCRIPTION	MC36B4EH1H	MC36B4FH1H	MC36B4GH1H	MC36B4HH1H	MC36C4EH1H
1	COIL W/DRAIN PAN (See Note 1)	S1-37323793016	S1-37323793016	S1-37323793016	S1-37323793016	S1-37323793008
2	TXV	S1-1TVM4E1	S1-1TVM4F1	S1-1TVM4G1	S1-1TVM4H1	S1-1TVM4E1
3	DRAIN PAN W/INSULATION	S1-37323794005	S1-37323794005	S1-37323794005	S1-37323794005	S1-37323794002
4*	GROMMET, 7/8"	S1-02813205000	S1-02813205000	S1-02813205000	S1-02813205000	S1-02813205000
5*	GROMMET, 3/8"	S1-02813209000	S1-02813209000	S1-02813209000	S1-02813209000	S1-02813209000
6*	COVER, HAIRPIN (2 Req'd)	S1-03100208000	S1-03100208000	S1-03100208000	S1-03100208000	S1-03100208000
7	DRAIN PAN (Horizontal)	S1-03200216000	S1-03200216000	S1-03200216000	S1-03200216000	S1-03200216000
8*	DISTRIBUTOR	S1-02209089000	S1-02209089000	S1-02209089000	S1-02209089000	S1-02209087000
9*	FIELD CONNECTOR	S1-02531890001	S1-02531890001	S1-02531890001	S1-02531890001	S1-02531890001
10						
11*	LIQUID LINE	S1-02321572000	S1-02321572000	S1-02321572000	S1-02321572000	S1-02321573000
12*	BAFFLE KIT, CONDENSATE	S1-37323890002	S1-37323890002	S1-37323890002	S1-37323890002	S1-37323890003
13*	CLIP, BAFFLE	S1-02813205000	S1-02813205000	S1-02813205000	S1-02813205000	S1-02813205000

NOTE: *Not Shown
 New replacement parts shown in **bold** face type at the first printing of parts list dated 8/09
 Major components and suggested stocking items are shown with shaded item number.
 "<" Across from row indicates a change in that row.
 --- Not applicable to specified model.
 1 Coil does not include TXV.

Figure 1: MULT-POSITION COIL W/HORIZONTAL PAN - R-410A

ITEM	DESCRIPTION	MC36C4GH1H	MC36C4FH1H	MC36C4HH1H	MC37A4EH1H	MC37A4FH1H	MC42B4FH1H
1	COIL W/DRAIN PAN (See Note 1)	S1-37323793008	S1-37323793008	S1-37323793008	S1-37323899004	S1-37323899004	S1-37323793014
2	TXV	S1-1TVM4G1	S1-1TVM4F1	S1-1TVM4H1	S1-1TVM4E1	S1-1TVM4F1	S1-1TVM4F1
3	DRAIN PAN W/INSULATION	S1-37323794002	S1-37323794002	S1-37323794002	S1-37323899102	S1-37323899102	S1-37323794005
4**	GROMMET, 5/8"	---	---	---	S1-02813203000	S1-02813203000	---
	GROMMET, 7/8"	S1-02813205000	S1-02813205000	S1-02813205000	---	---	S1-02813205000
5*	GROMMET, 3/8"	S1-02813209000	S1-02813209000	S1-02813209000	S1-02813209000	S1-02813209000	S1-02813209000
6*	COVER, HAIRPIN (2 Req'd)	S1-03100208000	S1-03100208000	S1-03100208000	S1-03100210000	S1-03100210000	S1-03109146000
7	DRAIN PAN (Horizontal)	S1-03200216000	S1-03200216000	S1-03200216000	S1-03200216000	S1-03200216000	S1-03200217000
8*	DISTRIBUTOR	S1-02209087000	S1-02209087000	S1-02209087000	S1-02209090000	S1-02209090000	S1-02209088000
9*	FIELD CONNECTOR	S1-02531890001	S1-02531890001	S1-02531890001	S1-02531890001	S1-02531890001	S1-02531890001
10							
11*	LIQUID LINE	S1-02321573000	S1-02321573000	S1-02321573000	S1-02321571000	S1-02321571000	S1-02321572000
12*	BAFFLE KIT, CONDENSATE	S1-37323890003	S1-37323890003	S1-37323890003	S1-37323890001	S1-37323890001	S1-37323890002
13*	CLIP, BAFFLE	S1-02813205000	S1-02813205000	S1-02813205000	S1-02813205000	S1-02813205000	S1-02813205000

ITEM	DESCRIPTION	MC42B4HH1H	MC42C4FH1H	MC42C4HH1H	MC43B4GH1H	MC43B4FH1H	MC43B4KH1H
1	COIL W/DRAIN PAN (See Note 1)	S1-37323793014	S1-37323793009	S1-37323793009	S1-37323899003	S1-37323899003	S1-37323899003
2	TXV	S1-1TVM4H1	S1-1TVM4F1	S1-1TVM4H1	S1-1TVM4G1	S1-1TVM4F1	S1-1TVM4K1
3	DRAIN PAN W/INSULATION	S1-37323794005	S1-37323794002	S1-37323794002	S1-37323794001	S1-37323794001	S1-37323794001
4*	GROMMET, 7/8"	S1-02813205000	S1-02813205000	S1-02813205000	S1-02813205000	S1-02813205000	S1-02813205000
5*	GROMMET, 3/8"	S1-02813209000	S1-02813209000	S1-02813209000	S1-02813209000	S1-02813209000	S1-02813209000
6*	COVER, HAIRPIN (2 Req'd)	S1-03109146000	S1-03109146000	S1-03109146000	S1-03100210000	S1-03100210000	S1-03100210000
7	DRAIN PAN (Horizontal)	S1-03200217000	S1-03200217000	S1-03200217000	S1-03200216000	S1-03200216000	S1-03200216000
8*	DISTRIBUTOR	S1-02209088000	S1-02209088000	S1-02209088000	S1-02209083000	S1-02209083000	S1-02209083000
9*	FIELD CONNECTOR	S1-02531890001	S1-02531890001	S1-02531890001	S1-02531890001	S1-02531890001	S1-02531890001
10							
11*	LIQUID LINE	S1-02321572000	S1-02321573000	S1-02321573000	S1-02321572000	S1-02321572000	S1-02321572000
12*	BAFFLE KIT, CONDENSATE	S1-37323890002	S1-37323890003	S1-37323890003	S1-37323890002	S1-37323890002	S1-37323890002
13*	CLIP, BAFFLE	S1-02131402000	S1-02131402000	S1-02131402000	S1-02131402000	S1-02131402000	S1-02131402000

ITEM	DESCRIPTION	MC43B4MH1H	MC43C4GH1H	MC43C4FH1H	MC43C4KH1H	MC43C4MH1H
1	COIL W/DRAIN PAN (See Note 1)	S1-37323899003	S1-37323793002	S1-37323793002	S1-37323793002	S1-37323793002
2	TXV	S1-1TVM4M1	S1-1TVM4G1	S1-1TVM4F1	S1-1TVM4K1	S1-1TVM4M1
3	DRAIN PAN W/INSULATION	S1-37323794001	S1-37323794002	S1-37323794002	S1-37323794002	S1-37323794002
4*	GROMMET, 7/8"	S1-02813205000	S1-02813205000	S1-02813205000	S1-02813205000	S1-02813205000
5*	GROMMET, 3/8"	S1-02813209000	S1-02813209000	S1-02813209000	S1-02813209000	S1-02813209000
6*	COVER, HAIRPIN (2 Req'd)	S1-03100210000	S1-03100210000	S1-03100210000	S1-03100210000	S1-03100210000
7	DRAIN PAN (Horizontal)	S1-03200216000	S1-03200216000	S1-03200216000	S1-03200216000	S1-03200216000
8*	DISTRIBUTOR	S1-02209083000	S1-02209083000	S1-02209083000	S1-02209083000	S1-02209083000
9*	FIELD CONNECTOR	S1-02531890001	S1-02531890001	S1-02531890001	S1-02531890001	S1-02531890001
10						
11*	LIQUID LINE	S1-02321572000	S1-02321573000	S1-02321573000	S1-02321573000	S1-02321573000
12*	BAFFLE KIT, CONDENSATE	S1-37323890002	S1-37323890003	S1-37323890003	S1-37323890003	S1-37323890003
13*	CLIP, BAFFLE	S1-02131402000	S1-02131402000	S1-02131402000	S1-02131402000	S1-02131402000

ITEM	DESCRIPTION	MC48C4FH1H	MC48C4HH1H	MC48C4JH1H	MC48C4KH1H	MC48D4FH1H
1	COIL W/DRAIN PAN (See Note 1)	S1-37323793003	S1-37323793003	S1-37323793003	S1-37323793003	S1-37323793004
2	TXV	S1-1TVM3F1	S1-1TVM4H1	S1-1TVM4J1	S1-1TVM4K1	S1-1TVM4F1
3	DRAIN PAN W/INSULATION	S1-37323794002	S1-37323794002	S1-37323794002	S1-37323794002	S1-37323794002
4*	GROMMET, 7/8"	S1-02813205000	S1-02813205000	S1-02813205000	S1-02813205000	S1-02813205000
5*	GROMMET, 3/8"	S1-02813209000	S1-02813209000	S1-02813209000	S1-02813209000	S1-02813209000
6*	COVER, HAIRPIN (2 Req'd)	S1-03100211000	S1-03100211000	S1-03100211000	S1-03100211000	S1-03100211000
7	DRAIN PAN (Horizontal)	S1-03200217000	S1-03200217000	S1-03200217000	S1-03200217000	S1-03200217000
8*	DISTRIBUTOR	S1-02209083000	S1-02209083000	S1-02209083000	S1-02209083000	S1-02209084000
9*	FIELD CONNECTOR	S1-02531890001	S1-02531890001	S1-02531890001	S1-02531890001	S1-02531890001
10						
11*	LIQUID LINE	S1-02321573000	S1-02321573000	S1-02321573000	S1-02321573000	S1-02321574000
12*	BAFFLE KIT, CONDENSATE	S1-37323890003	S1-37323890003	S1-37323890003	S1-37323890003	S1-37323890004
13*	CLIP, BAFFLE	S1-02131402000	S1-02131402000	S1-02131402000	S1-02131402000	S1-02131402000

NOTE: *Not Shown
 New replacement parts shown in **bold** face type at the first printing of parts list dated 8/09.
 Major components and suggested stocking items are shown with shaded item number.
 "<" Across from row indicates a change in that row.
 --- Not applicable to specified model.
 1 Coil does not include TXV.

Figure 1: MULT-POSITION COIL W/HORIZONTAL PAN - R-410A TXV

ITEM	DESCRIPTION	MC48D4HH1H	MC48D4JH1H	MC48D4KH1H	MC60D4GH1H	MC60D4HH1H
1	COIL W/DRAIN PAN (See Note 1)	S1-37323793004	S1-37323793004	S1-37323793004	S1-37323793106	S1-37323793106
2	TXV	S1-1TVM4H1	S1-1TVM4J1	S1-1TVM4K1	S1-1TVM4g1	S1-1TVM4H1
3	DRAIN PAN W/INSULATION	S1-37323794002	S1-37323794002	S1-37323794002	S1-37323794003	S1-37323794003
4*	GROMMET, 7/8"	S1-02813205000	S1-02813205000	S1-02813205000	S1-02813205000	S1-02813205000
5*	GROMMET, 3/8"	S1-02813209000	S1-02813209000	S1-02813209000	S1-02813209000	S1-02813209000
6*	COVER, HAIRPIN (2 Req'd)	S1-03100211000	S1-03100211000	S1-03100211000	S1-03100212000	S1-03100212000
7	DRAIN PAN (Horizontal)	S1-03200217000	S1-03200217000	S1-03200217000	S1-03200217000	S1-03200217000
8*	DISTRIBUTOR	S1-02209084000	S1-02209084000	S1-02209084000	S1-02541001000	S1-02541001000
9*	FIELD CONNECTOR	S1-02531890001	S1-02531890001	S1-02531890001	S1-02531890001	S1-02531890001
10						
11*	LIQUID LINE	S1-02321574000	S1-02321574000	S1-02321574000	S1-02322442000	S1-02322442000
12*	BAFFLE KIT, CONDENSATE	S1-37323890004	S1-37323890004	S1-37323890004	S1-37323890004	S1-37323890004
13*	CLIP, BAFFLE	S1-02131402000	S1-02131402000	S1-02131402000	S1-02131402000	S1-02131402000

ITEM	DESCRIPTION	MC60D4JH1H	MC60D4KH1H	MC62C4HH1H	MC62D4JH1H	MC62D4KH1H
1	COIL W/DRAIN PAN (See Note 1)	S1-37323793106	S1-37323793106	S1-37327809001	S1-37327809002	S1-37327809002
2	TXV	S1-1TVM4J1	S1-1TVM4K1	S1-1TVM4H1	S1-1TVM4J1	S1-1TVM4K1
3	DRAIN PAN W/INSULATION	S1-37323794003	S1-37323794003	S1-37323794002	S1-37323794003	S1-37323794003
4*	GROMMET, 7/8"	S1-02813205000	S1-02813205000	S1-02813205000	S1-02813205000	S1-02813205000
5*	GROMMET, 3/8"	S1-02813209000	S1-02813209000	S1-02813209000	S1-02813209000	S1-02813209000
6*	COVER, HAIRPIN (2 Req'd)	S1-03100212000	S1-03100212000	S1-03109145000	S1-03109145000	S1-03109145000
7	DRAIN PAN (Horizontal)	S1-03200217000	S1-03200217000	S1-03200218000	S1-03200218000	S1-03200218000
8*	DISTRIBUTOR	S1-02541001000	S1-02541001000	S1-02541001000	S1-02541001000	S1-02541001000
9*	FIELD CONNECTOR	S1-02531890001	S1-02531890001	S1-02531890001	S1-02531890001	S1-02531890001
10						
11*	LIQUID LINE	S1-02322442000	S1-02322442000	S1-02321573000	S1-02321574000	S1-02321574000
12*	BAFFLE KIT, CONDENSATE	S1-37323890004	S1-37323890004	S1-37323890004	S1-37323890004	S1-37323890004
13*	CLIP, BAFFLE	S1-02131402000	S1-02131402000	S1-02131402000	S1-02131402000	S1-02131402000
14	BAFFLE KIT, HORIZONTAL	---	---	S1-37323890005	S1-37323890005	S1-37323890005

NOTE: *Not Shown
 New replacement parts shown in **bold** face type at the first printing of parts list dated 8/09.
 Major components and suggested stocking items are shown with shaded item number.
 "<" Across from row indicates a change in that row.
 --- Not applicable to specified model.
 1 Coil does not include TXV.



TO ORDER AUTHORIZED FACTORY REPLACEMENT PARTS - Contact your Source1 HVAC Parts Distributor or visit our website at www.Source1Parts.com for a Distributor and Dealer listing.