



www.Source1Parts.com

FC SERIES (STYLE H) UPFLOW/DOWNFLOW CASED COILS R-410A TXV MODELS

HVAC SERVICE PARTS

Supersedes: 035-22222-001 Rev. C (0709)

035-22222-001 Rev. D (0809)

1 of 4

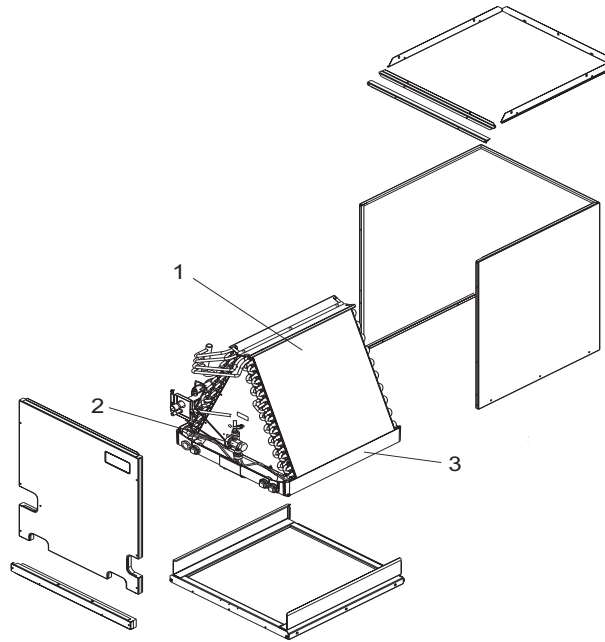


Figure 1 : UPFLOW/DOWNFLOW CASED COIL- R-410A TXV

ITEM	DESCRIPTION	FC18A4EN1H	FC18A4FN1H	FC18B4EN1H	FC18B4FN1H	FC24A4FN1H
1	COIL WITH DRAIN PAN (See Note 1)	S1-37323793034	S1-37323793034	S1-37323793010	S1-37323793010	S1-37323793012
2	TXV	S1-1TVM4E1	S1-1TVM4F1	S1-1TVM4E1	S1-1TVM4F1	S1-1TVM4F1
3	DRAIN PAN W/INSULATION	S1-37323794004	S1-37323794004	S1-37323794005	S1-37323794005	S1-37323794004
4*	HAIRPIN COVER	S1-03100205000	S1-03100205000	S1-03100205000	S1-03100205000	S1-03100205000
5*	GROMMET, 3/8"	S1-02813209000	S1-02813209000	S1-02813209000	S1-02813209000	S1-02813209000
6*	GROMMET, 3/4"	S1-02813204000	S1-02813204000	S1-02813204000	S1-02813204000	S1-02813204000
7*	DISTRIBUTOR	S1-02209089000	S1-02209089000	S1-02209089000	S1-02209089000	S1-02209089000
8*	FIELD CONNECTOR	S1-02531890001	S1-02531890001	S1-02531890001	S1-02531890001	S1-02531890001
9						
10*	LIQUID LINE	S1-02321571000	S1-02321571000	S1-02321571000	S1-02321571000	S1-02321571000
11*	BAFFLE KIT, CONDENSATE	S1-37323890001	S1-37323890001	S1-37323890001	S1-37323890001	S1-37323890001
12*	CLIP, BAFFLE	S1-02131402000	S1-02131402000	S1-02131402000	S1-02131402000	S1-02131402000

ITEM	DESCRIPTION	FC24B4FN1H	FC30A4EN1H	FC30A4FN1H	FC30B4EN1H	FC30B4FN1H
1	COIL WITH DRAIN PAN (See Note 1)	S1-37323793013	S1-37323793012	S1-37323793012	S1-37323793013	S1-37323793013
2	TXV	S1-1TVM4F1	S1-1TVM4E1	S1-1TVM4F1	S1-1TVM4E1	S1-1TVM4F1
3	DRAIN PAN W/INSULATION	S1-37323794005	S1-37323794004	S1-37323794004	S1-37323794005	S1-37323794005
4*	HAIRPIN COVER	S1-03100205000	S1-03100205000	S1-03100205000	S1-03100205000	S1-03100205000
5*	GROMMET, 3/8"	S1-02813209000	S1-02813209000	S1-02813209000	S1-02813209000	S1-02813209000
6*	GROMMET, 3/4"	S1-02813204000	S1-02813204000	S1-02813204000	S1-02813204000	S1-02813204000
7*	DISTRIBUTOR	S1-02209089000	S1-02209089000	S1-02209089000	S1-02209089000	S1-02209089000
8*	FIELD CONNECTOR	S1-02531890001	S1-02531890001	S1-02531890001	S1-02531890001	S1-02531890001
9						
10*	LIQUID LINE	S1-02321572000	S1-02321571000	S1-02321571000	S1-02321572000	S1-02321572000
11*	BAFFLE KIT, CONDENSATE	S1-37323890001	S1-37323890001	S1-37323890001	S1-37323890002	S1-37323890002
12*	CLIP, BAFFLE	S1-02131402000	S1-02131402000	S1-02131402000	S1-02131402000	S1-02131402000

NOTE: *Not Shown
 New replacement parts shown in **bold** face type at the first printing of parts list dated 8/09.
 Major components and suggested stocking items are shown with shaded item number.
 "←" Across from row indicates a change in that row.
 --- Not applicable to specified model.
 1 Coil does not include TXV.

Figure 1: UPFLOW/DOWNFLOW CASED COIL- R-410A TXV

ITEM	DESCRIPTION	FC32A4FN1H	FC32A4GN1H	FC32A4MN1H	FC35B4FN1H	FC35B4GN1H
1	COIL W/ DRAIN PAN (See Note 1)	S1-37323899002	S1-37323899002	S1-37323899002	S1-37323793001	S1-37323793001
2	TXV	S1-1TVM4F1	S1-1TVM4G1	S1-1TVM4M1	S1-1TVM4F1	S1-1TVM4G1
3	DRAIN PAN W/INSULATION	S1-37323899102	S1-37323899102	S1-37323899102	S1-37323794001	S1-37323794001
4*	HAIRPIN COVER	S1-03100209000	S1-03100209000	S1-03100209000	S1-03100209000	S1-03100209000
5*	GROMMET, 3/8"	S1-02813209000	S1-02813209000	S1-02813209000	S1-02813209000	S1-02813209000
6*	GROMMET, 3/4"	S1-02813204000	S1-02813204000	S1-02813204000	S1-02813204000	S1-02813204000
7*	DISTRIBUTOR	S1-02209083000	S1-02209083000	S1-02209083000	S1-02209083000	S1-02209083000
8*	FIELD CONNECTOR	S1-02531890001	S1-02531890001	S1-02531890001	S1-02531890001	S1-02531890001
9						
10*	LIQUID LINE	S1-02321571000	S1-02321571000	S1-02321571000	S1-02321572000	S1-02321572000
11*	BAFFLE KIT, CONDENSATE	S1-37323890001	S1-37323890001	S1-37323890001	S1-37323890002	S1-37323890002
12*	CLIP, BAFFLE	S1-02131402000	S1-02131402000	S1-02131402000	S1-02131402000	S1-02131402000

ITEM	DESCRIPTION	FC35B4HN1H	FC35B4MN1H	FC35C4FN1H	FC35C4GN1H	FC35C4HN1H
1	COIL W/ DRAIN PAN (See Note 1)	S1-37323793001	S1-37323793001	S1-37323865001	S1-37323865001	S1-37323865001
2	TXV	S1-1TVM4H1	S1-1TVM4M1	S1-1TVM4F1	S1-1TVM4G1	S1-1TVM4H1
3	DRAIN PAN W/INSULATION	S1-37323794001	S1-37323794001	S1-37323794002	S1-37323794002	S1-37323794002
4*	HAIRPIN COVER	S1-03100209000	S1-03100209000	S1-03100209000	S1-03100209000	S1-03100209000
5*	GROMMET, 3/8"	S1-02813209000	S1-02813209000	S1-02813209000	S1-02813209000	S1-02813209000
6*	GROMMET, 3/4"	S1-02813204000	S1-02813204000	S1-02813204000	S1-02813204000	S1-02813204000
7*	DISTRIBUTOR	S1-02209083000	S1-02209083000	S1-02209083000	S1-02209083000	S1-02209083000
8*	FIELD CONNECTOR	S1-02531890001	S1-02531890001	S1-02531890001	S1-02531890001	S1-02531890001
9						
10*	LIQUID LINE	S1-02321572000	S1-02321572000	S1-02321573000	S1-02321573000	S1-02321573000
11*	BAFFLE KIT, CONDENSATE	S1-37323890002	S1-37323890002	S1-37323890003	S1-37323890003	S1-37323890003
12*	CLIP, BAFFLE	S1-02131402000	S1-02131402000	S1-02131402000	S1-02131402000	S1-02131402000

ITEM	DESCRIPTION	FC35C4MN1H	FC36A4EN1H	FC36A4FN1H	FC36A4GN1H	FC36A4HN1H
1	COIL W/ DRAIN PAN (See Note 1)	S1-37323865001	S1-37323793015	S1-37323793015	S1-37323793015	S1-37323793015
2	TXV	S1-1TVM4M1	S1-1TVM4E1	S1-1TVM4F1	S1-1TVM4G1	S1-1TVM4H1
3	DRAIN PAN W/INSULATION	S1-37323794002	S1-37323794004	S1-37323794004	S1-37323794004	S1-37323794004
4*	HAIRPIN COVER	S1-03100209000	S1-03100208000	S1-03100208000	S1-03100208000	S1-03100208000
5*	GROMMET, 3/8"	S1-02813209000	S1-02813209000	S1-02813209000	S1-02813209000	S1-02813209000
6*	GROMMET, 3/4"	S1-02813204000	---	---	---	---
	GROMMET, 7/8"	---	S1-02813205000	S1-02813205000	S1-02813205000	S1-02813205000
7*	DISTRIBUTOR	S1-02209083000	S1-02209089000	S1-02209089000	S1-02209089000	S1-02209089000
8*	FIELD CONNECTOR	S1-02531890001	S1-02531890001	S1-02531890001	S1-02531890001	S1-02531890001
9						
10*	LIQUID LINE	S1-02321573000	S1-02321571000	S1-02321571000	S1-02321571000	S1-02321571000
11*	BAFFLE KIT, CONDENSATE	S1-37323890003	S1-37323890001	S1-37323890001	S1-37323890001	S1-37323890001
12*	CLIP, BAFFLE	S1-02131402000	S1-02131402000	S1-02131402000	S1-02131402000	S1-02131402000

ITEM	DESCRIPTION	FC36B4EN1H	FC36B4FN1H	FC36B4GN1H	FC36B4HN1H	FC36C4EN1H
1	COIL W/ DRAIN PAN (See Note 1)	S1-37323793016	S1-37323793016	S1-37323793016	S1-37323793016	S1-37323793008
2	TXV	S1-1TVM4E1	S1-1TVM4F1	S1-1TVM4G1	S1-1TVM4H1	S1-1TVM4E1
3	DRAIN PAN W/INSULATION	S1-37323794005	S1-37323794005	S1-37323794005	S1-37323794005	S1-37323794002
4*	HAIRPIN COVER	S1-03100208000	S1-03100208000	S1-03100208000	S1-03100208000	S1-03100208000
5*	GROMMET, 3/8"	S1-02813209000	S1-02813209000	S1-02813209000	S1-02813209000	S1-02813209000
6*	GROMMET, 7/8"	S1-02813205000	S1-02813205000	S1-02813205000	S1-02813205000	S1-02813205000
7*	DISTRIBUTOR	S1-02209089000	S1-02209089000	S1-02209089000	S1-02209089000	S1-02209087000
8*	FIELD CONNECTOR	S1-02531890001	S1-02531890001	S1-02531890001	S1-02531890001	S1-02531890001
9						
10*	LIQUID LINE	S1-02321572000	S1-02321572000	S1-02321572000	S1-02321572000	S1-02321573000
11*	BAFFLE KIT, CONDENSATE	S1-37323890002	S1-37323890002	S1-37323890002	S1-37323890002	S1-37323890003
12*	CLIP, BAFFLE	S1-02131402000	S1-02131402000	S1-02131402000	S1-02131402000	S1-02131402000

NOTE: *Not Shown
 New replacement parts shown in **bold** face type at the first printing of parts list dated 8/09
 Major components and suggested stocking items are shown with shaded item number.
 “<” Across from row indicates a change in that row.
 --- Not applicable to specified model.
 1 Coil does not include TXV.

Figure 1: UPFLOW/DOWNFLOW CASED COIL - R410A TXV

ITEM	DESCRIPTION	FC36C4FN1H	FC36C4GN1H	FC36C4HN1H	FC37A4EN1H	FC37A4FN1H
1	COIL W/ DRAIN PAN (See Note 1)	S1-37323793008	S1-37323793008	S1-37323793008	S1-37323899004	S1-37323899004
2	TXV	S1-1TVM4F1	S1-1TVM4G1	S1-1TVM4H1	S1-1TVM4E1	S1-1TVM4F1
3	DRAIN PAN W/INSULATION	S1-37323794002	S1-37323794002	S1-37323794002	S1-37323899102	S1-37323899102
4*	HAIRPIN COVER	S1-03100208000	S1-03100208000	S1-03100208000	S1-03100210000	S1-03100210000
5*	GROMMET, 3/8"	S1-02813209000	S1-02813209000	S1-02813209000	S1-02813209000	S1-02813209000
6*	GROMMET, 5/8"	---	---	---	S1-02813203000	S1-02813203000
	GROMMET, 7/8"	S1-02813205000	S1-02813205000	S1-02813205000	---	---
7*	DISTRIBUTOR	S1-02209087000	S1-02209087000	S1-02209087000	S1-02209090000	S1-02209090000
8*	FIELD CONNECTOR	S1-02531890001	S1-02531890001	S1-02531890001	S1-02531890001	S1-02531890001
9						
10*	LIQUID LINE	S1-02321573000	S1-02321573000	S1-02321573000	S1-02321571000	S1-02321571000
11*	BAFFLE KIT, CONDENSATE	S1-37323890003	S1-37323890003	S1-37323890003	S1-37323890001	S1-37323890001
12*	CLIP, BAFFLE	S1-02131402000	S1-02131402000	S1-02131402000	S1-02131402000	S1-02131402000

ITEM	DESCRIPTION	FC42B4FN1H	FC42B4HN1H	FC42C4FN1H	FC42C4HN1H
1	COIL W/ DRAIN PAN (See Note 1)	S1-37323793014	S1-37323793014	S1-37323793009	S1-37323793009
2	TXV	S1-1TVM4F1	S1-1TVM4H1	S1-1TVM4F1	S1-1TVM4H1
3	DRAIN PAN W/INSULATION	S1-37323794005	S1-37323794005	S1-37323794002	S1-37323794002
4*	HAIRPIN COVER	S1-03109416000	S1-03109416000	S1-03109146000	S1-03109146000
5*	GROMMET, 3/8"	S1-02813209000	S1-02813209000	S1-02813209000	S1-02813209000
6*	GROMMET, 7/8"	S1-02813205000	S1-02813205000	S1-02813205000	S1-02813205000
7*	DISTRIBUTOR	S1-02209088000	S1-02209088000	S1-02209088000	S1-02209088000
8*	FIELD CONNECTOR	S1-02531890001	S1-02531890001	S1-02531890001	S1-02531890001
9					
10*	LIQUID LINE	S1-02321572000	S1-02321572000	S1-02321573000	S1-02321573000
11*	BAFFLE KIT, CONDENSATE	S1-37323890002	S1-37323890002	S1-37323890003	S1-37323890003
12*	CLIP, BAFFLE	S1-02131402000	S1-02131402000	S1-02131402000	S1-02131402000

ITEM	DESCRIPTION	FC43B4FN1H	FC43B4GN1H	FC43C4KN1H	FC43C4MN1H	FC43C4FN1H
1	COIL W/ DRAIN PAN (See Note 1)	S1-37323899003	S1-37323899003	S1-37323793002	S1-37323793002	S1-37323793002
2	TXV	S1-1TVM4F1	S1-1TVM4G1	S1-1TVM4K1	S1-1TVM4M1	S1-1TVM4F1
3	DRAIN PAN W/INSULATION	S1-37323794001	S1-37323794001	S1-37323794002	S1-37323794002	S1-37323794002
4*	HAIRPIN COVER	S1-03100210000	S1-03100210000	S1-03100210000	S1-03100210000	S1-03100210000
5*	GROMMET, 3/8"	S1-02813209000	S1-02813209000	S1-02813209000	S1-02813209000	S1-02813209000
6*	GROMMET, 7/8"	S1-02813205000	S1-02813205000	S1-02813205000	S1-02813205000	S1-02813205000
7*	DISTRIBUTOR	S1-02209083000	S1-02209083000	S1-02209083000	S1-02209083000	S1-02209083000
8*	FIELD CONNECTOR	S1-02531890001	S1-02531890001	S1-02531890001	S1-02531890001	S1-02531890001
9						
10*	LIQUID LINE	S1-02321572000	S1-02321572000	S1-02321573000	S1-02321573000	S1-02321573000
11*	BAFFLE KIT, CONDENSATE	S1-37323890002	S1-37323890002	S1-37323890003	S1-37323890003	S1-37323890003
12*	CLIP, BAFFLE	S1-02131402000	S1-02131402000	S1-02131402000	S1-02131402000	S1-02131402000

ITEM	DESCRIPTION	FC43C4GN1H	FC48C4FN1H	FC48C4HN1H	FC48C4JN1H	FC48C4KN1H
1	COIL W/ DRAIN PAN (See Note 1)	S1-37323793002	S1-37323793003	S1-37323793003	S1-37323793003	S1-37323793003
2	TXV	S1-1TVM4G1	S1-1TVM4F1	S1-1TVM4H1	S1-1TVM4J1	S1-1TVM4K1
3	DRAIN PAN W/INSULATION	S1-37323794002	S1-37323794002	S1-37323794002	S1-37323794002	S1-37323794002
4*	HAIRPIN COVER	S1-03100210000	S1-03100211000	S1-03100211000	S1-03100211000	S1-03100211000
5*	GROMMET, 3/8"	S1-02813209000	S1-02813209000	S1-02813209000	S1-02813209000	S1-02813209000
6*	GROMMET, 7/8"	S1-02813205000	S1-02813205000	S1-02813205000	S1-02813205000	S1-02813205000
7*	DISTRIBUTOR	S1-02209083000	S1-02209083000	S1-02209083000	S1-02209083000	S1-02209083000
8*	FIELD CONNECTOR	S1-02531890001	S1-02531890001	S1-02531890001	S1-02531890001	S1-02531890001
9						
10*	LIQUID LINE	S1-02321573000	S1-02321573000	S1-02321573000	S1-02321573000	S1-02321573000
11*	BAFFLE KIT, CONDENSATE	S1-37323890003	S1-37323890003	S1-37323890003	S1-37323890003	S1-37323890003
12*	CLIP, BAFFLE	S1-02131402000	S1-02131402000	S1-02131402000	S1-02131402000	S1-02131402000

NOTE: *Not Shown
 New replacement parts shown in **bold** face type at the first printing of parts list dated 8/09
 Major components and suggested stocking items are shown with shaded item number.
 "<" Across from row indicates a change in that row.
 --- Not applicable to specified model.
 1 Coil does not include TXV.

Figure 1: UPFLOW/DOWNFLOW CASED COIL - R410A TXV

ITEM	DESCRIPTION	FC48D4FN1H	FC48D4HN1H	FC48D4JN1H	FC48D4KN1H	FC60C4GN1H
1	COIL W/ DRAIN PAN (See Note 1)	S1-37323793004	S1-37323793004	S1-37323793004	S1-37323793004	S1-37323793105
2	TXV	S1-1TVM4F1	S1-1TVM4H1	S1-1TVM4J1	S1-1TVM4K1	S1-1TVM4G1
3	DRAIN PAN W/INSULATION	S1-37323794003	S1-37323794003	S1-37323794003	S1-37323794003	S1-37323794002
4*	HAIRPIN COVER	S1-03100211000	S1-03100211000	S1-03100211000	S1-03100211000	S1-03100212000
5*	GROMMET, 3/8"	S1-02813209000	S1-02813209000	S1-02813209000	S1-02813209000	S1-02813209000
6*	GROMMET, 7/8"	S1-02813205000	S1-02813205000	S1-02813205000	S1-02813205000	S1-02813205000
7*	DISTRIBUTOR	S1-02209084000	S1-02209084000	S1-02209084000	S1-02209084000	S1-02541001000
8*	FIELD CONNECTOR	S1-02531890001	S1-02531890001	S1-02531890001	S1-02531890001	S1-02531890001
9						
10*	LIQUID LINE	S1-02321574000	S1-02321574000	S1-02321574000	S1-02321574000	S1-02322441000
11*	BAFFLE KIT, CONDENSATE	S1-37323890004	S1-37323890004	S1-37323890004	S1-37323890004	S1-37323890003
12*	CLIP, BAFFLE	S1-02131402000	S1-02131402000	S1-02131402000	S1-02131402000	S1-02131402000

ITEM	DESCRIPTION	FC60C4HN1H	FC60C4JN1H	FC60C4KN1H	FC60D4GN1H	FC60D4HN1H
1	COIL W/ DRAIN PAN (See Note 1)	S1-37323793105	S1-37323793105	S1-37323793105	S1-37323793106	S1-37323793106
2	TXV	S1-1TVM4H1	S1-1TVM4J1	S1-1TVM4K1	S1-1TVM4G1	S1-1TVM4H1
3	DRAIN PAN W/INSULATION	S1-37323794002	S1-37323794002	S1-37323794002	S1-37323794003	S1-37323794003
4*	HAIRPIN COVER	S1-03100212000	S1-03100212000	S1-03100212000	S1-03100212000	S1-03100212000
5*	GROMMET, 3/8"	S1-02813209000	S1-02813209000	S1-02813209000	S1-02813209000	S1-02813209000
6*	GROMMET, 7/8"	S1-02813205000	S1-02813205000	S1-02813205000	S1-02813205000	S1-02813205000
7*	DISTRIBUTOR	S1-02541001000	S1-02541001000	S1-02541001000	S1-02209085000	S1-02541001000
8*	FIELD CONNECTOR	S1-02531890001	S1-02531890001	S1-02531890001	S1-02531890001	S1-02531890001
9						
10*	LIQUID LINE	S1-02322441000	S1-02322441000	S1-02322441000	S1-02322442000	S1-02322442000
11*	BAFFLE KIT, CONDENSATE	S1-37323890003	S1-37323890003	S1-37323890003	S1-37323890004	S1-37323890004
12*	CLIP, BAFFLE	S1-02131402000	S1-02131402000	S1-02131402000	S1-02131402000	S1-02131402000

ITEM	DESCRIPTION	FC60D4JN1H	FC60D4KN1H	FC62C4HN1H	FC62D4JN1H	FC62D4KN1H
1	COIL W/ DRAIN PAN (See Note 1)	S1-37323793106	S1-37323793106	S1-37327809001	S1-37327809002	S1-37327809002
2	TXV	S1-1TVM4J1	S1-1TVM4K1	S1-1TVM4H1	S1-1TVM4J1	S1-1TVM4K1
3	DRAIN PAN W/INSULATION	S1-37323794003	S1-37323794003	S1-37323794002	S1-37323794003	S1-37323794003
4*	HAIRPIN COVER	S1-03100212000	S1-03100212000	S1-03109145000	S1-03109145000	S1-03109145000
5*	GROMMET, 3/8"	S1-02813209000	S1-02813209000	S1-02813209000	S1-02813209000	S1-02813209000
6*	GROMMET, 7/8"	S1-02813205000	S1-02813205000	S1-02813205000	S1-02813205000	S1-02813205000
7*	DISTRIBUTOR	S1-02209085000	S1-02541001000	S1-02541001000	S1-02441001000	S1-02441001000
8*	FIELD CONNECTOR	S1-02531890001	S1-02531890001	S1-02531890001	S1-02531890001	S1-02531890001
9						
10*	LIQUID LINE	S1-02322442000	S1-02322442000	S1-02321573000	S1-02321574000	S1-02321574000
11*	BAFFLE KIT, CONDENSATE	S1-37323890004	S1-37323890004	S1-37323890003	S1-37323890004	S1-37323890004
12*	CLIP, BAFFLE	S1-02131402000	S1-02131402000	S1-02131402000	S1-02131402000	S1-02131402000

ITEM	DESCRIPTION	FC64D3XN1H				
1	COIL W/ DRAIN PAN (See Note 1)	S1-37327907001				
2	TXV	---				
3	DRAIN PAN W/INSULATION	S1-37323794003				
4*	HAIRPIN COVER	S1-03100209000				
5*	GROMMET, 3/8"	S1-02813209000				
6*	GROMMET, 7/8"	S1-02813205000				
7*	DISTRIBUTOR	S1-02541001000				
8*	FIELD CONNECTOR	S1-02531890001				
9						
10*	LIQUID LINE	S1-02322441000				
11*	BAFFLE KIT, CONDENSATE	S1-37323890004				
12*	CLIP, BAFFLE	S1-02131402000				

NOTE: *Not Shown
 New replacement parts shown in **bold** face type at the first printing of parts list dated 8/09
 Major components and suggested stocking items are shown with shaded item number.
 "<" Across from row indicates a change in that row.
 --- Not applicable to specified model.
 1 Coil does not include TXV.

TO ORDER AUTHORIZED FACTORY REPLACEMENT PARTS - Contact your Source1 HVAC Parts Distributor or visit our website at www.Source1Parts.com for a Distributor and Dealer listing.