



www.Source1Parts.com

PC SERIES PARTIAL CASED COILS (STYLE H) R-410A TXV MODELS

HVAC SERVICE PARTS

Supersedes: 035-22223-001 Rev. A (1208)

035-22223-001 Rev. B (1209)

1 of 4

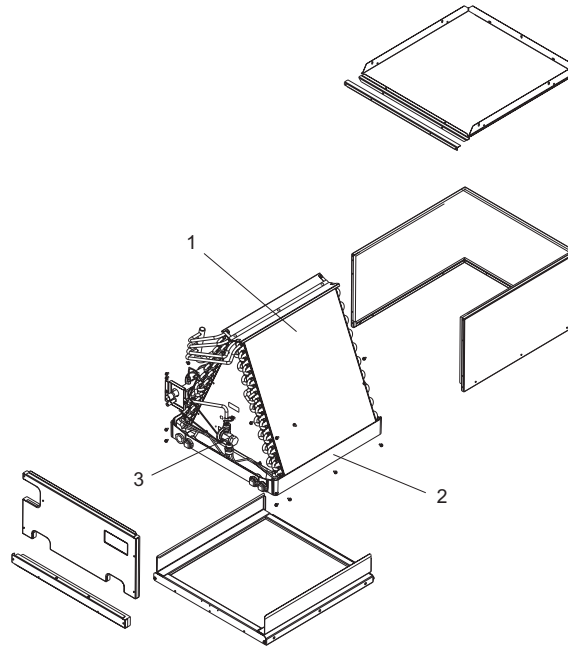


Figure 1 : PARTIAL CASED COILS - R-410A TXV

ITEM	DESCRIPTION	PC18A4EN1H	PC18B4EN1H	PC24A4FN1H	PC24B4FN1H	PC30A4EN1H
1	COIL W/DRAIN PAN (See Note 1)	S1-37323793034	S1-37323793010	S1-37323793012	S1-37323793013	S1-37323793012
2	TXV	S1-1TVM4E1	S1-1TVM4E1	S1-1TVM4F1	S1-1TVM4F1	S1-1TVM4E1
3	DRAIN PAN W/INSULATION	S1-37323794004	S1-37323794005	S1-37323794004	S1-37323794005	S1-37323794004
4*	COVER, HAIRPIN	S1-03100205000	S1-03100205000	S1-03100207000	S1-03100207000	S1-03100207000
5*	GROMMET, 3/8"	S1-02813209000	S1-02813209000	S1-02813209000	S1-02813209000	S1-02813209000
6*	GROMMET, 3/4"	S1-02813204000	S1-02813204000	S1-02813204000	S1-02813204000	S1-02813204000
7*	DISTRIBUTOR	S1-02209089000	S1-02209089000	S1-02209089000	S1-02209089000	S1-02209089000
8*	FIELD CONNECTOR	S1-02531890001	S1-02531890001	S1-02531890001	S1-02531890001	S1-02531890001
9						
10*	LIQUID LINE	S1-02321571000	S1-02321572000	S1-02321571000	S1-02321572000	S1-02321571000

ITEM	DESCRIPTION	PC30A4FN1H	PC30B4EN1H	PC30B4FN1H	PC32A4FN1H	PC32A4GN1H
1	COIL W/DRAIN PAN (See Note 1)	S1-37323793012	S1-37323793013	S1-37323793013	S1-37323899002	S1-37323899002
2	TXV	S1-1TVM4F1	S1-1TVM4E1	S1-1TVM4F1	S1-1TVM4F1	S1-1TVM4G1
3	DRAIN PAN W/INSULATION	S1-37323794004	S1-37323794005	S1-37323794005	S1-37323899102	S1-37323899102
4*	COVER, HAIRPIN	S1-03100207000	S1-03100207000	S1-03100207000	S1-03100209000	S1-03100209000
5*	GROMMET, 3/8"	S1-02813209000	S1-02813209000	S1-02813209000	S1-02813209000	S1-02813209000
6*	GROMMET, 3/4"	S1-02813204000	S1-02813204000	S1-02813204000	S1-02813204000	S1-02813204000
7*	DISTRIBUTOR	S1-02209089000	S1-02209089000	S1-02209089000	S1-02209083000	S1-02209083000
8*	FIELD CONNECTOR	S1-02531890001	S1-02531890001	S1-02531890001	S1-02531890001	S1-02531890001
9						
10*	LIQUID LINE	S1-02321571000	S1-02321572000	S1-02321572000	S1-02321571000	S1-02321571000

ITEM	DESCRIPTION	PC32A4MN1H	PC35B4FN1H	PC35B4GN1H	PC35B4HN1H	PC35B4MN1H
1	COIL W/DRAIN PAN (See Note 1)	S1-37323899002	S1-37323793001	S1-37323793001	S1-37323793001	S1-37323793001
2	TXV	S1-1TVM4M1	S1-1TVM4F1	S1-1TVM4G1	S1-1TVM4H1	S1-1TVM4M1
3	DRAIN PAN W/INSULATION	S1-37323899102	S1-37323794001	S1-37323794001	S1-37323794001	S1-37323794001
4*	COVER, HAIRPIN	S1-03100209000	S1-03100207000	S1-03100207000	S1-03100207000	S1-03100207000
5*	GROMMET, 3/8"	S1-02813209000	S1-02813209000	S1-02813209000	S1-02813209000	S1-02813209000
6*	GROMMET, 3/4"	S1-02813204000	S1-02813204000	S1-02813204000	S1-02813204000	S1-02813204000
7*	DISTRIBUTOR	S1-02209083000	S1-02209083000	S1-02209083000	S1-02209083000	S1-02209083000
8*	FIELD CONNECTOR	S1-02531890001	S1-02531890001	S1-02531890001	S1-02531890001	S1-02531890001
9						
10*	LIQUID LINE	S1-02321571000	S1-02321572000	S1-02321572000	S1-02321572000	S1-02321572000

ITEM	DESCRIPTION	PC35C4FN1H	PC35C4GN1H	PC35C4HN1H	PC35C4MN1H	PC36A4EN1H
1	COIL W/DRAIN PAN (See Note 1)	S1-37323865001	S1-37323865001	S1-37323865001	S1-37323865001	S1-37323793015
2	TXV	S1-1TVM4F1	S1-1TVM4G1	S1-1TVM4H1	S1-1TVM4M1	S1-1TVM4E1
3	DRAIN PAN W/INSULATION	S1-37323794002	S1-37323794002	S1-37323794002	S1-37323794002	S1-37323794004
4*	COVER, HAIRPIN	S1-03100209000	S1-03100209000	S1-03100209000	S1-03100209000	S1-03100209000
5*	GROMMET, 3/8"	S1-02813209000	S1-02813209000	S1-02813209000	S1-02813209000	S1-02813209000
6*	GROMMET, 3/4"	S1-02813204000	S1-02813204000	S1-02813204000	S1-02813204000	---
	GROMMET, 7/8"	---	---	---	---	S1-02813205000
7*	DISTRIBUTOR	S1-02209083000	S1-02209083000	S1-02209083000	S1-02209083000	S1-02209089000
8*	FIELD CONNECTOR	S1-02531890001	S1-02531890001	S1-02531890001	S1-02531890001	S1-02531890001
9						
10*	LIQUID LINE	S1-02321573000	S1-02321573000	S1-02321573000	S1-02321573000	S1-02321571000

ITEM	DESCRIPTION	PC36A4FN1H	PC36A4GN1H	PC36A4HN1H	PC36B4EN1H	PC36B4FN1H
1	COIL W/DRAIN PAN (See Note 1)	S1-37323793015	S1-37323793015	S1-37323793015	S1-37323793016	S1-37323793016
2	TXV	S1-1TVM4F1	S1-1TVM4G1	S1-1TVM4H1	S1-1TVM4E1	S1-1TVM4F1
3	DRAIN PAN W/INSULATION	S1-37323794004	S1-37323794004	S1-37323794004	S1-37323794005	S1-37323794005
4*	COVER, HAIRPIN	S1-03100209000	S1-03100209000	S1-03100209000	S1-03100208000	S1-03100208000
5*	GROMMET, 3/8"	S1-02813209000	S1-02813209000	S1-02813209000	S1-02813209000	S1-02813209000
6*	GROMMET, 7/8"	S1-02813205000	S1-02813205000	S1-02813205000	S1-02813205000	S1-02813205000
7*	DISTRIBUTOR	S1-02209089000	S1-02209089000	S1-02209089000	S1-02209089000	S1-02209089000
8*	FIELD CONNECTOR	S1-025318900010	S1-025318900010	S1-025318900010	S1-02531890001	S1-02531890001
9						
10*	LIQUID LINE	S1-02321571000	S1-02321571000	S1-02321571000	S1-02321572000	S1-02321572000

ITEM	DESCRIPTION	PC36B4GN1H	PC36B4HN1H	PC36C4EN1H	PC36C4GN1H	PC36C4HN1H
1	COIL W/DRAIN PAN	S1-37323793016	S1-37323793016	S1-37323793008	S1-37323793008	S1-37323793008
2	TXV	S1-1TVM4G1	S1-1TVM4H1	S1-1TVM4E1	S1-1TVM4G1	S1-1TVM4H1
3	DRAIN PAN W/INSULATION	S1-37323794005	S1-37323794005	S1-37323794002	S1-37323794002	S1-37323794002
4*	COVER, HAIRPIN	S1-03100208000	S1-03100208000	S1-03100208000	S1-03100208000	S1-03100208000
5*	GROMMET, 3/8"	S1-02813209000	S1-02813209000	S1-02813209000	S1-02813209000	S1-02813209000
6*	GROMMET, 7/8"	S1-02813205000	S1-02813205000	S1-02813205000	S1-02813205000	S1-02813205000
7*	DISTRIBUTOR	S1-02209089000	S1-02209089000	S1-02209087000	S1-02209087000	S1-02209087000
8*	FIELD CONNECTOR	S1-02531890001	S1-02531890001	S1-02531890001	S1-02531890001	S1-02531890001
9						
10*	LIQUID LINE	S1-02321572000	S1-02321572000	S1-02321573000	S1-02321573000	S1-02321573000

ITEM	DESCRIPTION	PC37A4EN1H	PC37A4FN1H	PC42B4FN1H	PC42B4HN1H	PC42C4FN1H
1	COIL W/DRAIN PAN	S1-37323899004	S1-37323899004	S1-37323793014	S1-37323793014	S1-37323793009
2	TXV	S1-1TVM4E1	S1-1TVM4F1	S1-1TVM4F1	S1-1TVM4H1	S1-1TVM4F1
3	DRAIN PAN W/INSULATION	S1-37323899102	S1-37323899102	S1-37323794005	S1-37323794005	S1-37323794002
4*	COVER, HAIRPIN	S1-03100210000	S1-03100210000	S1-03109416000	S1-03109416000	S1-03109416000
5*	GROMMET, 3/8"	S1-02813209000	S1-02813209000	S1-02813209000	S1-02813209000	S1-02813209000
6*	GROMMET, 5/8"	S1-02813203000	S1-02813203000	---	---	---
	GROMMET, 3/4"	---	---	S1-02813205000	S1-02813205000	S1-02813205000
7*	DISTRIBUTOR	S1-02209009000	S1-02209009000	S1-02209088000	S1-02209088000	S1-02209088000
8*	FIELD CONNECTOR	S1-02531890001	S1-02531890001	S1-02531890001	S1-02531890001	S1-02531890001
9						
10*	LIQUID LINE	S1-02321571000	S1-02321571000	S1-02321572000	S1-02321572000	S1-02321573000

NOTE: *Not ShownNew replacement parts shown in **bold** face type at the first printing of parts list dated 12/09.

Major components and suggested stocking items are shown with shaded item number.

"←" Across from row indicates a change in that row.

--- Not applicable to specified model.

1 Service Coil does not include TXV.

Figure 1: PARTIAL CASED COILS - R-410A

ITEM	DESCRIPTION	PC42C4HN1H	PC43B4GN1H	PC43B4KN1H	PC43B4MN1H	PC43C4GN1H
1	COIL W/DRAIN PAN	S1-37323793009	S1-37323899003	S1-37323899003	S1-37323899003	S1-37323793002
2	TXV	S1-1TVM4H1	S1-1TVM4G1	S1-1TVM4K1	S1-1TVM4M1	S1-1TVM4G1
3	DRAIN PAN W/INSULATION	S1-37323794002	S1-37323794001	S1-37323794001	S1-37323794001	S1-37323794002
4*	COVER, HAIRPIN	S1-03109416000	S1-03100210000	S1-03100210000	S1-03100210000	S1-03100210000
5*	GROMMET, 3/8"	S1-02813209000	S1-02813209000	S1-02813209000	S1-02813209000	S1-02813209000
6*	GROMMET, 7/8"	S1-02813205000	S1-02813205000	S1-02813205000	S1-02813205000	S1-02813205000
7*	DISTRIBUTOR	S1-02209088000	S1-02209083000	S1-02209083000	S1-02209083000	S1-02209083000
8*	FIELD CONNECTOR	S1-02531890001	S1-02531890001	S1-02531890001	S1-02531890001	S1-02531890001
9						
10*	LIQUID LINE	S1-02321573000	S1-02321572000	S1-02321572000	S1-02321572000	S1-02321573000

ITEM	DESCRIPTION	PC43C4KN1H	PC43C4MN1H	PC48C4FN1H	PC48C4HN1H	PC48C4JN1H
1	COIL W/DRAIN PAN	S1-37323793002	S1-37323793002	S1-37323793003	S1-37323793003	S1-37323793003
2	TXV	S1-1TVM4K1	S1-1TVM4M1	S1-1TVM4F1	S1-1TVM4H1	S1-1TVMJ1
3	DRAIN PAN W/INSULATION	S1-37323794002	S1-37323794002	S1-37323794002	S1-37323794002	S1-37323794002
4*	COVER, HAIRPIN	S1-03100210000	S1-03100210000	S1-03100211000	S1-03100211000	S1-03100211000
5*	GROMMET, 3/8"	S1-02813209000	S1-02813209000	S1-02813209000	S1-02813209000	S1-02813209000
6*	GROMMET, 7/8"	S1-02813205000	S1-02813205000	S1-02813205000	S1-02813205000	S1-02813205000
7*	DISTRIBUTOR	S1-02209083000	S1-02209083000	S1-02209083000	S1-02209083000	S1-02209083000
8*	FIELD CONNECTOR	S1-02531890001	S1-02531890001	S1-02531890001	S1-02531890001	S1-02531890001
9						
10*	LIQUID LINE	S1-02321573000	S1-02321573000	S1-02321573000	S1-02321573000	S1-02321573000

ITEM	DESCRIPTION	PC48C4KN1H	PC48D4FN1H	PC48D4HN1H	PC48D4JN1H	PC48D4KN1H
1	COIL W/DRAIN PAN	S1-37323793003	S1-37323793004	S1-37323793004	S1-37323793004	S1-37323793004
2	TXV	S1-1TVM4K1	S1-1TVM4F1	S1-1TVM4H1	S1-1TVM4J1	S1-1TVM4K1
3	DRAIN PAN W/INSULATION	S1-37323794002	S1-37323794003	S1-37323794003	S1-37323794003	S1-37323794003
4*	COVER, HAIRPIN	S1-03100211000	S1-03100211000	S1-03100211000	S1-03100211000	S1-03100211000
5*	GROMMET, 3/8"	S1-02813209000	S1-02813209000	S1-02813209000	S1-02813209000	S1-02813209000
6*	GROMMET, 7/8"	S1-02813205000	S1-02813205000	S1-02813205000	S1-02813205000	S1-02813205000
7*	DISTRIBUTOR	S1-02209083000	S1-02209084000	S1-02209084000	S1-02209084000	S1-02209084000
8*	FIELD CONNECTOR	S1-02531890001	S1-02531890001	S1-02531890001	S1-02531890001	S1-02531890001
9						
10*	LIQUID LINE	S1-02321573000	S1-02321574000	S1-02321574000	S1-02321574000	S1-02321574000

ITEM	DESCRIPTION	PC60C4GN1H	PC60C4HN1H	PC60C4JN1H	PC60C4KN1H	PC60D4GN1H
1	COIL W/DRAIN PAN	S1-37323793105	S1-37323793105	S1-37323793105	S1-37323793105	S1-37323793106
2	TXV	S1-1TVM4G1	S1-1TVM4H1	S1-1TVM4J1	S1-1TVM4K1	S1-1TVM4G1
3	DRAIN PAN W/INSULATION	S1-37323794002	S1-37323794002	S1-37323794002	S1-37323794002	S1-37323794003
4*	COVER, HAIRPIN	S1-03100212000	S1-03100212000	S1-03100212000	S1-03100212000	S1-03100212000
5*	GROMMET, 3/8"	S1-02813209000	S1-02813209000	S1-02813209000	S1-02813209000	S1-02813209000
6*	GROMMET, 7/8"	S1-02813205000	S1-02813205000	S1-02813205000	S1-02813205000	S1-02813205000
7*	DISTRIBUTOR	S1-02541001000	S1-02541001000	S1-02541001000	S1-02541001000	S1-02541001000
8*	FIELD CONNECTOR	S1-02531890001	S1-02531890001	S1-02531890001	S1-02531890001	S1-02531890001
9						
10*	LIQUID LINE	S1-02322441000	S1-02322441000	S1-02322441000	S1-02322441000	S1-02322442000

NOTE: *Not ShownNew replacement parts shown in **bold** face type at the first printing of parts list dated 12/09.

Major components and suggested stocking items are shown with shaded item number.

"←" Across from row indicates a change in that row.

--- Not applicable to specified model.

1 Service Coil does not include TXV.

ITEM	DESCRIPTION	PC60D4HN1H	PC60D4JN1H	PC60D4KN1H
1	COIL W/DRAIN PAN	S1-37323793106	S1-37323793106	S1-37323793106
2	TXV	S1-1TVM4H1	S1-1TVM4J1	S1-1TVM4K1
3	DRAIN PAN W/INSULATION	S1-37323794003	S1-37323794003	S1-37323794003
4*	COVER, HAIRPIN	S1-03100212000	S1-03100212000	S1-03100212000
5*	GROMMET, 3/8"	S1-02813209000	S1-02813209000	S1-02813209000
6*	GROMMET, 7/8"	S1-02813205000	S1-02813205000	S1-02813205000
7*	DISTRIBUTOR	S1-02541001000	S1-02541001000	S1-02541001000
8*	FIELD CONNECTOR	S1-0253189001	S1-0253189001	S1-0253189001
9				
10*	LIQUID LINE	S1-02322442000	S1-02322442000	S1-02322442000

NOTE: *Not Shown

New replacement parts shown in **bold** face type at the first printing of parts list dated 12/09.

Major components and suggested stocking items are shown with shaded item number.

"<" Across from row indicates a change in that row.

--- Not applicable to specified model.

1 Service Coil does not include TXV.

TO ORDER AUTHORIZED FACTORY REPLACEMENT PARTS - Contact your Source1 HVAC Parts Distributor or visit our website at www.Source1Parts.com for a Distributor and Dealer listing.