



www.Source1Parts.com

HVAC SERVICE PARTS

AHP SERIES SINGLE PIECE AIR HANDLER R-410A TXV COIL MODELS (STYLE H)

Supersedes:035-22235-001 Rev. D (0709)

035-22235-001 Rev. E (0809)

1 of 4

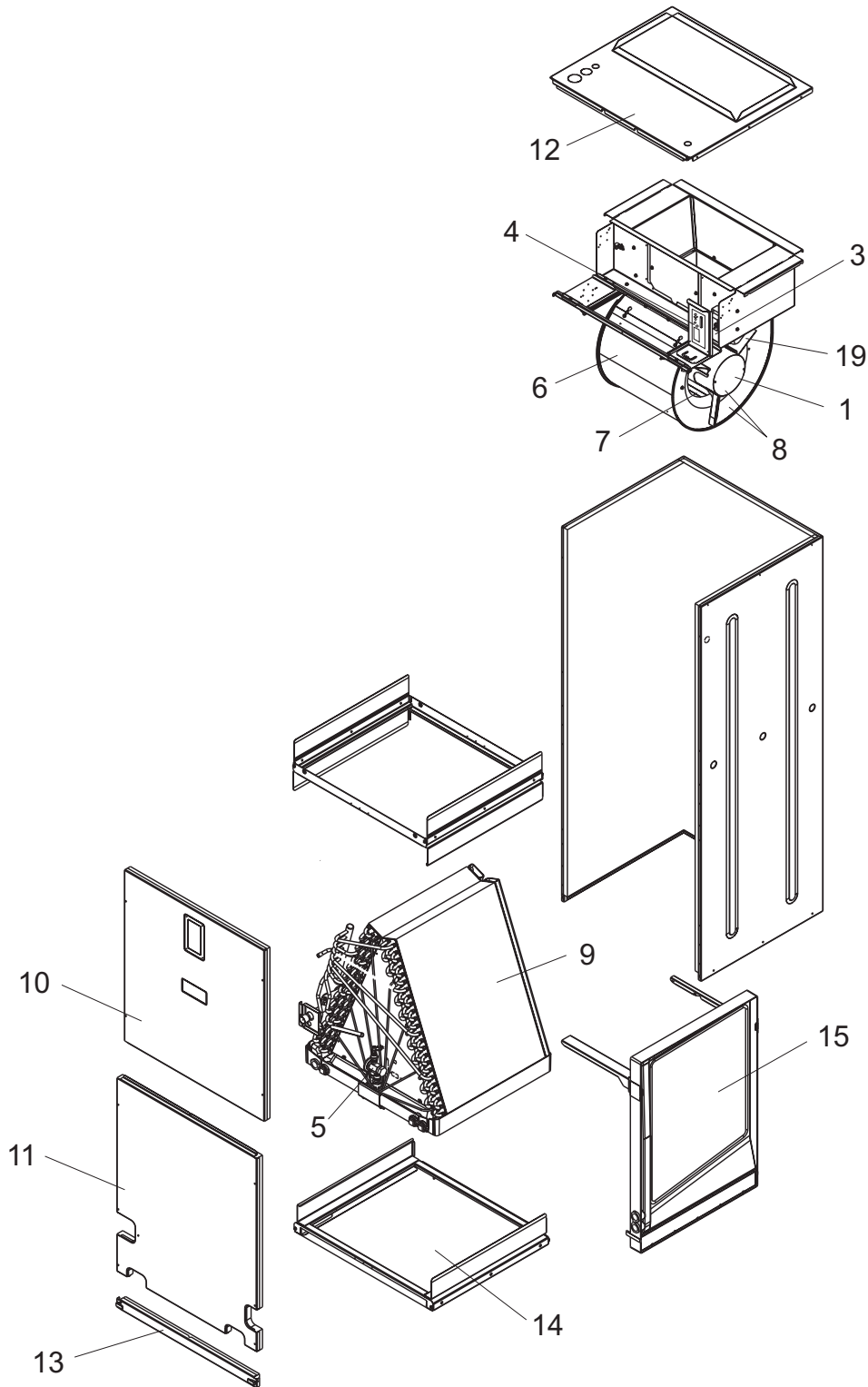


FIGURE 1: SINGLE PIECE AIR HANDLER WITH HORIZONTAL PAN, R- 410A TXV COIL

ITEM	DESCRIPTION	AHP18B4EH21H	AHP18B4FH21H	AHP24B4FH21H	<
1	Motor, Blower	S1-02435316000	S1-02435316000	S1-02435317000	
2*	Capacitor (10MFD)	S1-02420046700	S1-02420046700	S1-02420046700	
3	Transformer (40VA)	S1-02518452000	S1-02518452000	S1-02518452000	
4	Control, Fan/Elec Heat	S1-03109156000	S1-03109156000	S1-03109156000	
5	TXV	S1-1TVM4E1	S1-1TVM4F1	S1-1TVM4F1	
6	Housing, Blower (w/Wheel)	S1-02642366000	S1-02642366000	S1-02642367000	
7	Wheel, Blower	S1-02642197000	S1-02642197000	S1-02642198000	
8	Complete Blower Ass'y	S1-02642350000	S1-02642350000	S1-02642351000	
9	Complete Coil w/Drain Pan (Less TXV)	S1-37323793010	S1-37323793010	S1-37323793011	
10	Panel, Top Door (Insul)	S1-37323831024	S1-37323831024	S1-37323831024	
11	Panel, Access Door (Bottom) (Insul)	S1-37323831026	S1-37323831026	S1-37323831026	
12	Panel, Top (Insul)	S1-37323831023	S1-37323831023	S1-37323831023	
13	Door, Bottom Door (Filter) (Insul)	S1-37323831022	S1-37323831022	S1-37323831022	
14	Pan, Drain (Insul)	S1-37323794005	S1-37323794005	S1-37323794005	
15	Pan, Horizontal Drain	S1-03200215000	S1-03200215000	S1-03200215000	
16*	Cover, Hairpin	S1-03100205000	S1-03100205000	S1-03100206000	
17*	Grommet, 3/8"	S1-02813209000	S1-02813209000	S1-02813209000	
18*	Grommet, 3/4"	S1-02813204000	S1-02813204000	S1-02813204000	
19	Mount, Motor (Includes items 20 & 21)	S1-37319831002	S1-37319831002	S1-37319831002	
20*	Grommet, Motor Mount (3 Req'd)	S1-02814740000	S1-02814740000	S1-02814740000	
21*	Ferrule, Motor Mount (3 Req'd)	S1-02320541000	S1-02320541000	S1-02320541000	
22*	Diagram, Wiring	160633	160633	160633	
23*	Harness, Power	S1-02539873000	S1-02539873000	S1-02539873000	
24*	Line, Liquid	S1-02321572000	S1-02321572000	S1-02321572000	
25*	Baffle Kit, Condensate	S1-37323890002	S1-37323890002	S1-37323890002	
26*	Clip, Baffle	S1-02131402000	S1-02131402000	S1-02131402000	

ITEM	DESCRIPTION	AHP30B4GH21H	AHP30B4FH21	AHP30B4HH21H	AHP30B4MH21H	<
1	Motor, Blower	S1-02435318000	S1-02435318000	S1-02435318000	S1-02435318000	
2*	Capacitor (15MFD)	S1-02425900000	S1-02425900000	S1-02425900000	S1-02425900000	
3	Transformer (40VA)	S1-02518452000	S1-02518452000	S1-02518452000	S1-02518452000	
4	Control, Fan/Elec Heat	S1-03109156000	S1-03109156000	S1-03109156000	S1-03109156000	
5	TXV	S1-1TVM4G1	S1-1TVM4F1	S1-1TVM4H1	S1-1TVM4M1	
6	Housing, Blower (w/Wheel)	S1-02642367000	S1-02642367000	S1-02642367000	S1-02642367000	
7	Wheel, Blower	S1-02642198000	S1-02642198000	S1-02642198000	S1-02642198000	
8	Complete Blower Ass'y	S1-02642352000	S1-02642352000	S1-02642352000	S1-02642352000	
9	Complete Coil w/Drain Pan (Less TXV)	S1-37323793001	S1-37323793001	S1-37323793001	S1-37323793001	
10	Panel, Top Door (Insul)	S1-37323831024	S1-37323831024	S1-37323831024	S1-37323831024	
11	Panel, Access Door (Bottom) (Insul)	S1-37323831026	S1-37323831026	S1-37323831026	S1-37323831026	
12	Panel, Top (Insul)	S1-37323831023	S1-37323831023	S1-37323831023	S1-37323831023	
13	Door, Bottom Door (Filter) (Insul)	S1-37323831022	S1-37323831022	S1-37323831022	S1-37323831022	
14	Pan, Drain (Insul)	S1-37323794001	S1-37323794001	S1-37323794001	S1-37323794001	
15	Pan, Horizontal Drain	S1-03200215000	S1-03200215000	S1-03200215000	S1-03200215000	
16*	Cover, Hairpin	S1-03100209000	S1-03100209000	S1-03100209000	S1-03100209000	
17*	Grommet, 3/8"	S1-02813209000	S1-02813209000	S1-02813209000	S1-02813209000	
18*	Grommet, 3/4"	S1-02813204000	S1-02813204000	S1-02813204000	S1-02813204000	
19	Mount, Motor (Includes items 20 & 21)	S1-37319831002	S1-37319831002	S1-37319831002	S1-37319831002	
20*	Grommet, Motor Mount (3 Req'd)	S1-02814740000	S1-02814740000	S1-02814740000	S1-02814740000	
21*	Ferrule, Motor Mount (3 Req'd)	S1-02320541000	S1-02320541000	S1-02320541000	S1-02320541000	
22*	Diagram, Wiring	160633	160633	160633	160633	
23*	Harness, Power	S1-02539873000	S1-02539873000	S1-02539873000	S1-02539873000	
24*	Line, Liquid	S1-02321572000	S1-02321572000	S1-02321572000	S1-02321572000	
25*	Baffle Kit, Condensate	S1-37323890002	S1-37323890002	S1-37323890002	S1-37323890002	
26*	Clip, Baffle	S1-02131402000	S1-02131402000	S1-02131402000	S1-02131402000	

NOTE: *Not Shown
 New replacement parts shown in **bold** face type at the first printing of parts list dated 8/09.
 Major components and suggested stocking items are shown with shaded item number.
 "<" Across from row indicates a change in that row.
 --- Not applicable to specified model.

FIGURE 1 : SINGLE PIECE AIR HANDLER WITH HORIZONTAL PAN, R- 410A TXV COIL

ITEM	DESCRIPTION	AHP36C4GH21H	AHP36C4FH21H	AHP36C4HH21H	AHP42C4HH21H <
1	Motor, Blower	S1-02435319000	S1-02435319000	S1-02435319000	S1-02435320000
2	Capacitor (15MFD)	S1-02425900000	S1-02425900000	S1-02425900000	S1-02425900000
3	Transformer (40VA)	S1-02518452000	S1-02518452000	S1-02518452000	S1-02518452000
4	Control, Fan/Elec Heat	S1-03109156000	S1-03109156000	S1-03109156000	S1-03109156000
5	TXV	S1-1TVM4G1	S1-1TVM4F1	S1-1TVM4H1	S1-1TVM4H1
6	Housing, Blower (w/Wheel)	S1-02642412000	S1-02642412000	S1-02642412000	S1-02642412000
7	Wheel, Blower	S1-02642199000	S1-02642199000	S1-02642199000	S1-02642199000
8	Complete Blower Ass'y	S1-02642353000	S1-02642353000	S1-02642353000	S1-02642358000
9	Complete Coil w/Drain Pan (Less TXV)	S1-37323793002	S1-37323793002	S1-37323793002	S1-37323793002
10	Panel, Top Door (Insul)	S1-37323831014	S1-37323831014	S1-37323831014	S1-37323831014
11	Panel, Access Door (Bottom) (Insul)	S1-37323831016	S1-37323831016	S1-37323831016	S1-37323831016
12	Panel, Top (Insul)	S1-37323831013	S1-37323831013	S1-37323831013	S1-37323831013
13	Door, Bottom Door (Filter) (Insul)	S1-37323831012	S1-37323831012	S1-37323831012	S1-37323831012
14	Pan, Drain (Insul)	S1-37323794002	S1-37323794002	S1-37323794002	S1-37323794002
15	Pan, Horizontal Drain	S1-03200216000	S1-03200216000	S1-03200216000	S1-03200216000
16*	Cover, Hairpin	S1-03100210000	S1-03100210000	S1-03100210000	S1-03100210000
17*	Grommet, 3/8"	S1-02813209000	S1-02813209000	S1-02813209000	S1-02813209000
18*	Grommet, 7/8"	S1-02813205000	S1-02813205000	S1-02813205000	S1-02813205000
19	Mount, Motor (Includes items 20 & 21)	S1-37319831002	S1-37319831002	S1-37319831002	S1-37319831002
20*	Grommet, Motor Mount (3 Req'd)	S1-02814740000	S1-02814740000	S1-02814740000	S1-02814740000
21*	Ferrule, Motor Mount (3 Req'd)	S1-02320541000	S1-02320541000	S1-02320541000	S1-02320541000
22*	Diagram, Wiring	160633	160633	160633	160633
23*	Harness, Power	S1-02539873000	S1-02539873000	S1-02539873000	S1-02539873000
24*	Line, Liquid	S1-02321573000	S1-02321573000	S1-02321573000	S1-02321573000
25*	Baffle Kit, Condensate	S1-37323890003	S1-37323890003	S1-37323890003	S1-37323890003
26*	Clip, Baffle	S1-02131402000	S1-02131402000	S1-02131402000	S1-02131402000

ITEM	DESCRIPTION	AHP48D4HH21H	AHP48D4JH21H	AHP60D4JH21H
1	Motor, Blower	S1-02435321000	S1-02435321000	S1-02435323001
1A	Motor, Blower (Unprogrammed)	---	---	S1-02435315000
2*	Capacitor (15MFD)	S1-02425900000	S1-02425900000	---
3	Transformer (40VA)	S1-02518452000	S1-02518452000	S1-02518452000
4	Control, Fan/Elec Heat	S1-03109156000	S1-03109156000	S1-03109156000
5	TXV	S1-1TVM4H1	S1-1TVM4J1	S1-1TVM4J1
6	Housing, Blower (w/Wheel)	S1-02642412000	S1-02642412000	S1-02642413000
7	Wheel, Blower	S1-02642199000	S1-02642199000	S1-02642199000
8	Complete Blower Ass'y	S1-02642359000	S1-02642359000	S1-02642360000
9	Complete Coil w/Drain Pan (Less TXV)	S1-37323793106	S1-37323793106	S1-37323793106
10	Panel, Top Door (Insul)	S1-37323831004	S1-37323831004	S1-37323831004
11	Panel, Access Door (Bottom) (Insul)	S1-37323831006	S1-37323831006	S1-37323831006
12	Panel, Top (Insul)	S1-37323831003	S1-37323831003	S1-37323831003
13	Door, Bottom Door (Filter) (Insul)	S1-37323831002	S1-37323831002	S1-37323831002
14	Pan, Drain (Insul)	S1-37323794003	S1-37323794003	S1-37323794003
15	Pan, Horizontal Drain	s1-03200217000	s1-03200217000	S1-03200217000
16*	Cover, Hairpin	S1-03100212000	S1-03100212000	S1-03100212000
17*	Grommet, 3/8"	S1-02813209000	S1-02813209000	S1-02813209000
18*	Grommet, 7/8"	S1-02813205000	S1-02813205000	S1-02813205000
19	Mount, Motor (Includes items 20 & 21)	S1-37319831002	S1-37319831002	S1-37319831002
20*	Grommet, Motor Mount (3 Req'd)	S1-02814740000	S1-02814740000	S1-02814740000
21*	Ferrule, Motor Mount (3 Req'd)	S1-02320541000	S1-02320541000	S1-02320541000
22*	Diagram, Wiring	160633	160633	160633
23*	Harness, Power	S1-02539873000	S1-02539873000	S1-02539872000
24*	Line, Liquid	S1-02322442000	S1-02322442000	S1-02322442000
25*	Baffle Kit, Condensate	S1-37323890004	S1-37323890004	S1-37323890004
26*	Clip, Baffle	S1-02131402000	S1-02131402000	S1-02131402000

NOTE: *Not ShownNew replacement parts shown in **bold** face type at the first printing of parts list dated 8/09.

Major components and suggested stocking items are shown with shaded item number.

"←" Across from row indicates a change in that row.

--- Not applicable to specified model.

TO ORDER AUTHORIZED FACTORY REPLACEMENT PARTS - Contact your Source1 HVAC Parts Distributor or visit our website at www.Source1Parts.com for a Distributor and Dealer listing.