



www.Source1Parts.com

HVAC SERVICE PARTS

AVC SERIES SINGLE PIECE ECM AIR HANDLER R-22 TXV AND FLEX COIL MODELS (STYLE H)

Supersedes:035-22239-001 Rev. C (0609)

035-22239-001 Rev. D (1009)

1 of 4

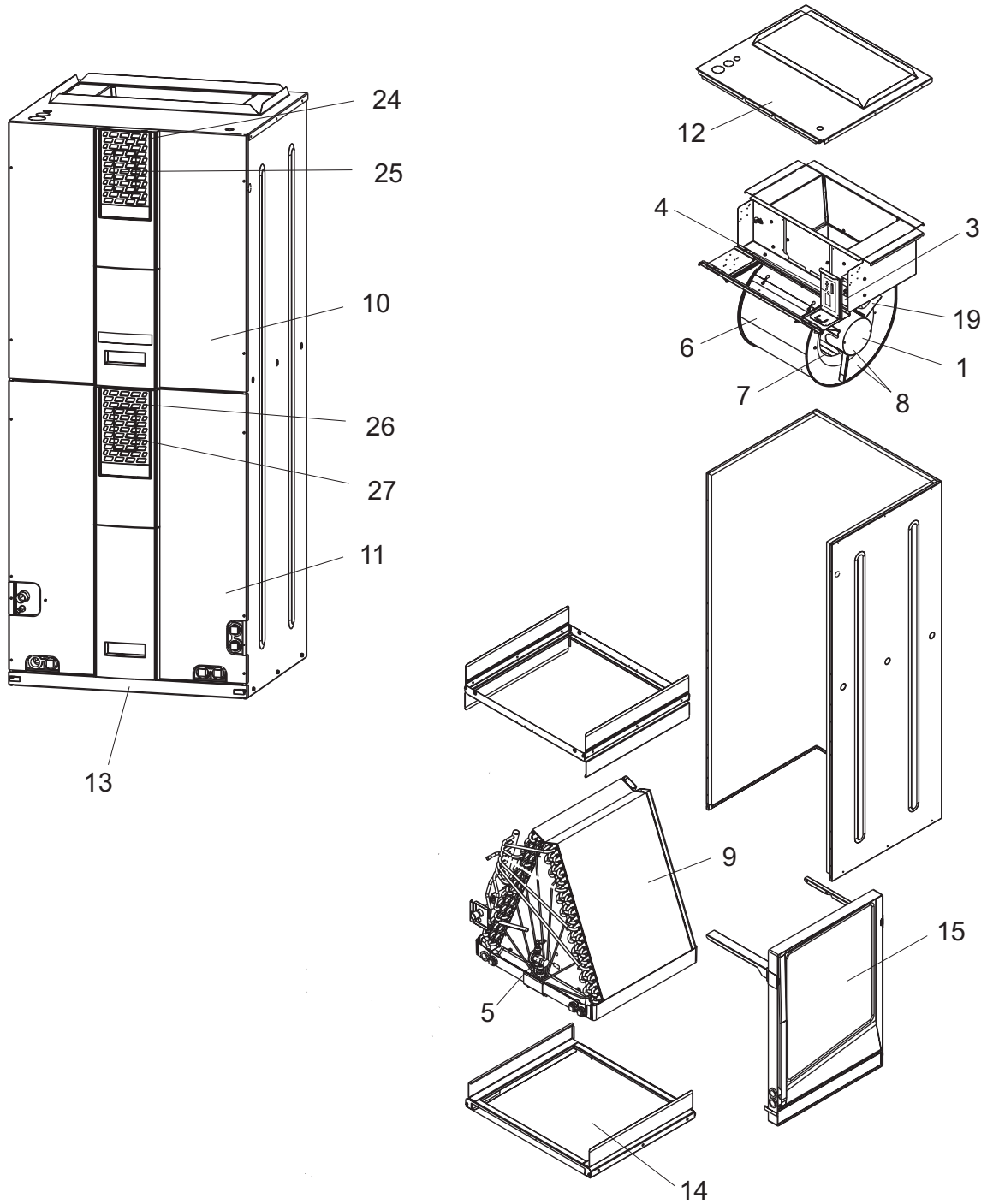


FIGURE 1: SINGLE PIECE ECM AIR HANDLER - R-22 TXV

ITEM	DESCRIPTION	AVC24B2AH21H	AVC36C2AH21H	AVC48D2CH21H
1	Motor/Module, ECM Blower (Prog.)	S1-02435826000	S1-02435827000	S1-02435830000
1A	Motor, ECM (Less Module)	S1-02435313000	S1-02431940000	S1-02431947000
1B	Module, ECM (Programmed)	S1-32435314116	S1-32432013117	S1-32432014120
2				
3	Transformer (40VA)	S1-02518452000	S1-02518452000	S1-02518452000
4	Control, Fan/Elec Heat	S1-03109157000	S1-03109157000	S1-03109157000
5	TXV	S1-1TVM2A1	S1-1TVM2A1	S1-1TVM2C1
6	Housing, Blower (w/Wheel)	S1-02642414000	S1-02642414000	S1-02642412000
7	Wheel, Blower	S1-02642281000	S1-02642199000	S1-02642199000
8	Complete Blower Ass'y	S1-02642354000	S1-02642355000	S1-02642356000
9	Complete Coil w/Drain Pan (See Note 1)	S1-37323793011	S1-37323793002	S1-37323793106
10	Panel, Top Door (Insul)	S1-37323833001	S1-37323833002	S1-37323833003
11	Panel, Access Door (Bottom) (Insul)	S1-37323833011	S1-37323833012	S1-37323833013
12	Panel, Top (Insul)	S1-37323831023	S1-37323831013	S1-37323831003
13	Door, Bottom Door (Filter) (Insul)	S1-37323831022	S1-37323831012	S1-37323831002
14	Pan, Drain (Insul)	S1-37323794005	S1-37323794002	S1-37323794003
15	Pan, Horizontal Drain	S1-03200215000	S1-03200216000	S1-03200217000
16*	Cover, Hairpin	S1-03100206000	S1-03100210000	S1-03100212000
17*	Grommet, 3/8"	S1-02813209000	S1-02813209000	S1-02813209000
18*	Grommet, 3/4"	S1-02813204000	---	---
	Grommet, 7/8"	---	S1-02813205000	S1-02813205000
19	Mount, Motor	S1-37319831002	S1-37319831002	S1-37319831002
20*	Grommet, Motor Mount (3 Req'd)	S1-02814740000	S1-02814740000	S1-02814740000
21*	Ferrule, Motor Mount (3 Req'd)	S1-02320541000	S1-02320541000	S1-02320541000
22	Diagram, Wiring	167076	167076	167076
23*	Harness, Power	S1-02539873000	S1-02539873000	S1-02539873000
24	Grille, Door Blk w/Logo (Top)	S1-02642290000	S1-02642290000	S1-02642290000
25	Insert, Door Grill Blk (Top)	S1-02642292000	S1-02642292000	S1-02642292000
26	Grille, Door Gray (Btm)	S1-02642289000	S1-02642289000	S1-02642289000
27	Insert, Door Grill Gray (Btm)	S1-02642291000	S1-02642291000	S1-02642291000
28*	Baffle Kit, Condensate	S1-37323890002	S1-37323890003	S1-37323890004
29*	Clip, Baffle	S1-02131402000	S1-02131402000	S1-02131402000

ITEM	DESCRIPTION	AVC60D2CH21H		
1	Motor/Module, ECM Blower (Prog.)	S1-02435831000		
1A	Motor, ECM (Less Module)	S1-02431941000		
1B	Module, ECM (Programmed)	S1-32432015121		
2				
3	Transformer (40VA)	S1-02518452000		
4	Control, Fan/Elec Heat	S1-03109157000		
5	TXV	S1-1TVM2C1		
6	Housing, Blower (w/Wheel)	S1-02642412000		
7	Wheel, Blower	S1-02642196000		
8	Complete Blower Ass'y	S1-02642357000		
9	Complete Coil w/Drain Pan (See Note 1)	S1-37323793106		
10	Panel, Top Door (Insul)	S1-37323833003		
11	Panel, Access Door (Bottom) (Insul)	S1-37323833013		
12	Panel, Top (Insul)	S1-37323831003		
13	Door, Bottom Door (Filter) (Insul)	S1-37323831002		
14	Pan, Drain (Insul)	S1-37323794003		
15	Pan, Horizontal Drain	S1-03200217000		
16*	Cover, Hairpin	S1-03100212000		
17*	Grommet, 3/8"	S1-02813209000		
18*	Grommet, 7/8"	S1-02813205000		
19	Mount, Motor	S1-37319831002		
20*	Grommet, Motor Mount (3 Req'd)	S1-02814740000		
21*	Ferrule, Motor Mount (3 Req'd)	S1-02320541000		
22	Diagram, Wiring	167076		
23*	Harness, Power	S1-02539872000		
24	Grille, Door Blk w/Logo (Top)	S1-02642290000		
25	Insert, Door Grill Blk (Top)	S1-02642292000		
26	Grille, Door Gray (Btm)	S1-02642289000		
27	Insert, Door Grill Gray (Btm)	S1-02642291000		
28*	Baffle Kit, Condensate	S1-37323890004		
29*	Clip, Baffle	S1-02131402000		

NOTE: *Not Shown
 New replacement parts shown in **bold** face type at the first printing of parts list dated 10/09.
 Major components and suggested stocking items are shown with shaded item number.
 "<" Across from row indicates a change in that row.
 --- Not applicable to specified model.
 1 Coil does not include TXV.

FIGURE 1 : SINGLE PIECE ECM AIR HANDLER - FLEX COIL

ITEM	DESCRIPTION	AVC24B3XH21H	AVC36C3XH21H	AVC48D3XH21H
1	Motor/Module, ECM Blower (Prog.)	S1-02435826000	S1-02435827000	S1-02435830000
1A	Motor, ECM (Less Module)	S1-02435313000	S1-02431940000	S1-02431947000
1B	Module, ECM (Programmed)	S1-32435314116	S1-32432013117	S1-32432014120
2				
3	Transformer (40VA)	S1-02518452000	S1-02518452000	S1-02518452000
4	Control, Fan/Elec Heat	S1-03109157000	S1-03109157000	S1-03109157000
5				
6	Housing, Blower (w/Wheel)	S1-02642414000	S1-02642414000	S1-02642412000
7	Wheel, Blower	S1-02642281000	S1-02642199000	S1-02642199000
8	Complete Blower Ass'y	S1-02642354000	S1-02642355000	S1-02642356000
9	Complete Coil w/Drain Pan	S1-37323793011	S1-37323793002	S1-37323793106
10	Panel, Top Door (Insul)	S1-37323833001	S1-37323833002	S1-37323833003
11	Panel, Access Door (Bottom) (Insul)	S1-37323833011	S1-37323833012	S1-37323833013
12	Panel, Top (Insul)	S1-37323831023	S1-37323831013	S1-37323831003
13	Door, Bottom Door (Filter) (Insul)	S1-37323831022	S1-37323831012	S1-37323831002
14	Pan, Drain (Insul)	S1-37323794005	S1-37323794002	S1-37323794003
15	Pan, Horizontal Drain	S1-03200215000	S1-03200216000	S1-03200217000
16*	Cover, Hairpin	S1-03100206000	S1-03100210000	S1-03100212000
17*	Grommet, 3/8"	S1-02813209000	S1-02813209000	S1-02813209000
18*	Grommet, 3/4"	S1-02813204000	---	---
	Grommet, 7/8"	---	S1-02813205000	S1-02813205000
19	Mount, Motor	S1-37319831002	S1-37319831002	S1-37319831002
20*	Grommet, Motor Mount (3 Req'd)	S1-02814740000	S1-02814740000	S1-02814740000
21*	Ferrule, Motor Mount (3 Req'd)	S1-02320541000	S1-02320541000	S1-02320541000
22	Diagram, Wiring	167076	167076	167076
23*	Harness, Power	S1-02539873000	S1-02539873000	S1-02539873000
24	Grille, Door Blk w/Logo	S1-02642290000	S1-02642290000	S1-02642290000
25	Insert, Door Grill Blk	S1-02642292000	S1-02642292000	S1-02642292000
26	Grille, Door Gray	S1-02642289000	S1-02642289000	S1-02642289000
27	Insert, Door Grill Gray	S1-02642291000	S1-02642291000	S1-02642291000
28*	Baffle Kit, Condensate	S1-37323890002	S1-37323890003	S1-37323890004
29*	Clip, Baffle	S1-02131402000	S1-02131402000	S1-02131402000

ITEM	DESCRIPTION	AVC60D3XH21H		
1	Motor/Module, ECM Blower (Prog.)	S1-02435831000		
1A	Motor, ECM (Less Module)	S1-02431941000		
1B	Module, ECM (Programmed)	S1-32432015121		
2				
3	Transformer (40VA)	S1-02518452000		
4	Control, Fan/Elec Heat	S1-03109157000		
5				
6	Housing, Blower (w/Wheel)	S1-02642412000		
7	Wheel, Blower	S1-02642196000		
8	Complete Blower Ass'y	S1-02642357000		
9	Complete Coil w/Drain Pan	S1-37323793106		
10	Panel, Top Door (Insul)	S1-37323833003		
11	Panel, Access Door (Bottom) (Insul)	S1-37323833013		
12	Panel, Top (Insul)	S1-37323831003		
13	Door, Bottom Door (Filter) (Insul)	S1-37323831002		
14	Pan, Drain (Insul)	S1-37323794003		
15	Pan, Horizontal Drain	S1-03200217000		
16*	Cover, Hairpin	S1-03100212000		
17*	Grommet, 3/8"	S1-02813209000		
18*	Grommet, 7/8"	S1-02813205000		
19	Mount, Motor	S1-37319831002		
20*	Grommet, Motor Mount (3 Req'd)	S1-02814740000		
21*	Ferrule, Motor Mount (3 Req'd)	S1-02320541000		
22	Diagram, Wiring	167076		
23*	Harness, Power	S1-02539872000		
24	Grille, Door Blk w/Logo	S1-02642290000		
25	Insert, Door Grill Blk	S1-02642292000		
26	Grille, Door Gray	S1-02642289000		
27	Insert, Door Grill Gray	S1-02642291000		
28*	Baffle Kit, Condensate	S1-37323890004		
29*	Clip, Baffle	S1-02131402000		

NOTE: *Not Shown
New replacement parts shown in **bold** face type at the first printing of parts list dated 10/09.
Major components and suggested stocking items are shown with shaded item number.
"←" Across from row indicates a change in that row.
--- Not applicable to specified model.

TO ORDER AUTHORIZED FACTORY REPLACEMENT PARTS - Contact your Source1 HVAC Parts Distributor or visit our website at www.Source1Parts.com for a Distributor and Dealer listing.