



www.Source1Parts.com

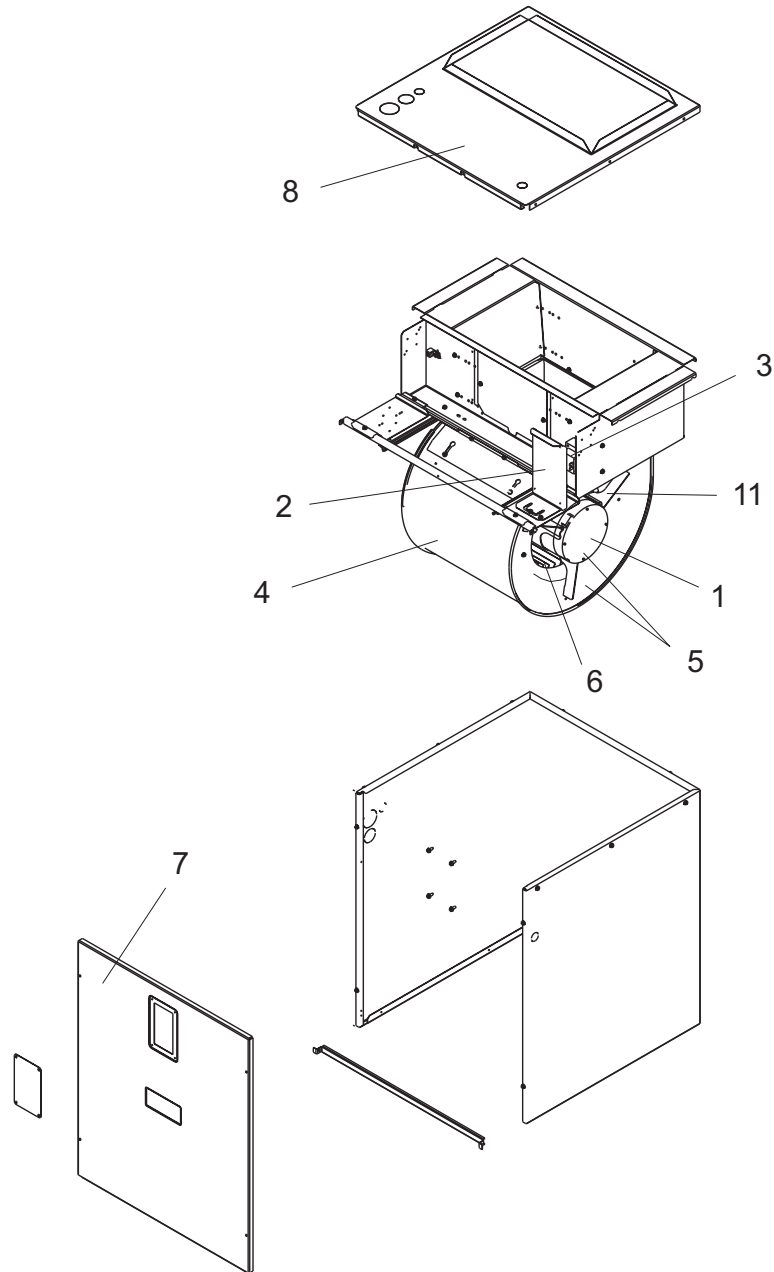
HVAC SERVICE PARTS

# MV SERIES VARIABLE SPEED MODULAR AIR HANDLER (STYLE H)

Supersedes:035-22249-001 Rev. A (1208)

035-22249-001 Rev. B (0609)

1 of 2



ITEM	DESCRIPTION	MV12BN21H	MV12DN21H	MV16CN21H	MV20DN21H
1	Motor, ECM Blower (Programmed)	S1-02435828000	S1-02435829000	S1-02435830000	S1-02435832000
1A	Motor, ECM Blower (Less ECM Module)	S1-02431940000	S1-02431940000	S1-02431947000	S1-02431941000
1B	Module, ECM (Programmed)	S1-32432013118	S1-32432013119	S1-32432014120	S1-32432015122
2	Control, Fan/Elec Heat	S1-03109157000	S1-03109157000	S1-03109157000	S1-03109157000
3	Transformer	S1-02518452000	S1-02518452000	S1-02518452000	S1-02518452000
4	Housing, Blower (w/Wheel)	S1-02642414000	S1-02642412000	S1-02642412000	S1-02642412000
5	Assembly, Complete Blower	S1-02642415000	S1-02642416000	S1-02642356000	S1-02645692000
6	Wheel, Blower	S1-02642281000	S1-02642199000	S1-02642199000	S1-02642199000
7	Panel, Access (Front)	S1-37323843003	S1-37323843001	S1-37323843002	S1-37323843001
8	Panel, Top	S1-37323831023	S1-37323831004	S1-37323831013	S1-37323831004
9*	Grommet, Motor (3 Req'd)	S1-02814760000	S1-02814760000	S1-02814760000	S1-02814760000
10*	Ferrule, Motor (3 Req'd)	S1-02320541000	S1-02320541000	S1-02320541000	S1-02320541000
11	Mount, Motor	S1-37319831002	S1-37319831002	S1-37319831002	S1-37319831002
12*	Harness, ECM Motor	S1-02539873000	S1-02539873000	S1-02539873000	S1-02539873000
13*	Harness, VSP Motor	S1-02539874000	S1-02539874000	S1-02539874000	S1-02539874000
14	Diagram, Wiring	167076	167076	167076	167076

&lt;

**NOTE:** \*Not ShownNew replacement parts shown in **bold** face type at the first printing of parts list dated 6/09.

Major components and suggested stocking items are shown with shaded item number.

"←" Across from row indicates a change in that row.

--- Not applicable to specified model.

**TO ORDER AUTHORIZED FACTORY REPLACEMENT PARTS** - Contact your Source1 HVAC Parts Distributor or visit our website at [www.Source1Parts.com](http://www.Source1Parts.com) for a Distributor and Dealer listing.