



www.Source1Parts.com

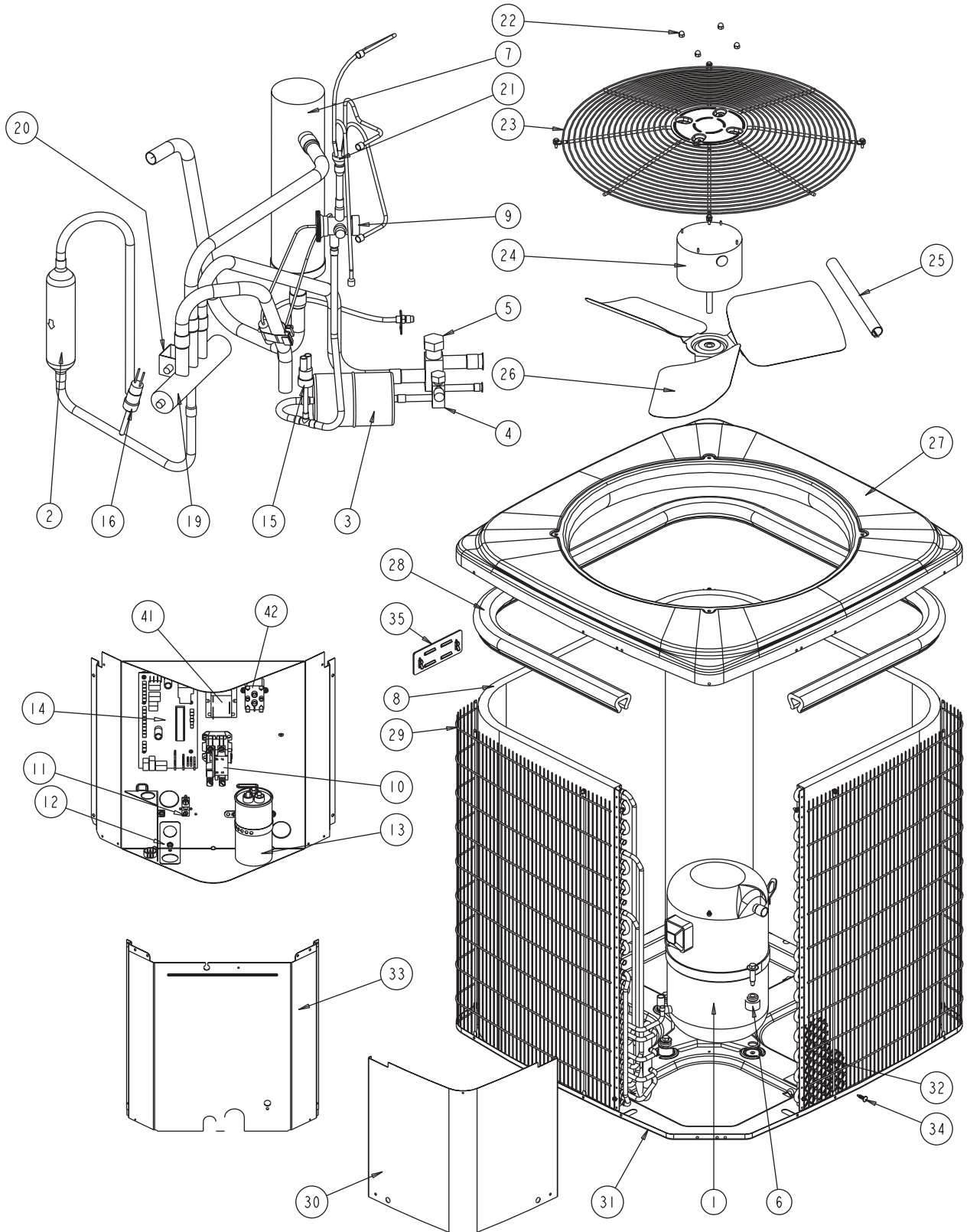
HVAC SERVICE PARTS

# THGF SERIES - TUBE & FIN 14.5 SEER HEAT PUMP (R-410A) (STYLE A) GENERATION 1 & 2

Supersedes:035-22251-001 Rev. F (0809)

035-22251-001 Rev. G (0110)

1 of 4



ITEM	DESCRIPTION	THGF18S41S1A	THGF24S41S1A	THGF30S41S1A	THGF36S41S1A
1	Compressor	S1-01501414004	S1-01504141004	S1-01504142004	S1-01504228004
2	Muffler, Discharge	---	---	---	---
3	Filter Drier	S1-52636219000	S1-52636219000	S1-52636219000	S1-52636219000
4	Base Valve (3/8") (Liquid)	S1-02531899000	S1-02531899000	S1-02531899000	S1-02531899000
5	Base Valve (3/4") (Suction)	S1-02531900000	S1-02531900000	S1-02531900000	S1-02531900000
6	Compressor Mount (Pkg. of 4)	S1-02810581000	S1-02810581000	S1-02810581000	S1-02810581000
7	Accumulator	S1-02635441000	S1-02635441000	S1-02634090000	S1-02634090000
8	Outdoor Coil Assembly	S1-37327845001	S1-37327893002	S1-37327893001	S1-37327845005
9	Valve, TXV	S1-02541346000	S1-02541346000	S1-02541346000	S1-02541339000
10	Contactora (30 amp)	S1-02427531000	S1-02427531000	S1-02427531000	S1-02427531000
11	Lug, Ground	S1-02521798000	S1-02521798000	S1-02521798000	S1-02521798000
12	Relief, Strain	S1-02509080000	S1-02509080000	S1-02509080000	S1-02509080000
13	Dual Capacitor (30/5 MFD)	S1-02425888700	---	---	---
	Dual Capacitor (35/5 MFD)	---	S1-02425859700	---	---
	Dual Capacitor (40/5 MFD)	---	---	S1-02425894700	---
	Dual Capacitor (45/5 MFD)	---	---	---	S1-02425120700
14	Board, Defrost Control	S1-33101975102	S1-33101975102	S1-33101975102	S1-33101975102
15	Pressure Switch, Low	S1-02541264000	S1-02541264000	S1-02541264000	S1-02541264000
16	Pressure Switch, High	S1-02535359000	S1-02535359000	S1-02535359000	S1-02535359000
17*	Sensor, Temperature (Coil)	S1-03101276000	S1-03101276000	S1-03101276000	S1-03101276000
18*	Sensor, Temperature (Ambient)	S1-02532701016	S1-02532701016	S1-02532701016	S1-02532701016
19	Valve, Reversing	S1-02538945000	S1-02538945000	S1-02538945000	S1-02538945000
20	Solenoid Coil, Reversing Valve	S1-02538948000	S1-02538948000	S1-02538948000	S1-02538948000
21	Assembly, Distributor	S1-02538973000	S1-02538973000	S1-02533424233	S1-02533424234
	Assembly, TXV/Distributor	S1-02541449000	S1-02541449000	S1-02542662000	S1-02542664000
22	Kit, Motor Mounting (Acorn Nuts)	S1-36390117700	S1-36390117700	S1-36390117700	S1-36390117700
23	Guard, Fan	S1-02642586000	S1-02642487000	S1-02642586000	S1-02642586000
24	Motor, Fan	S1-02427584000	S1-02435328000	S1-02435819000	S1-02435819000
25	Wireway	S1-02815864000	S1-02815873000	S1-02815864000	S1-02815864000
26	Blade, Fan	S1-02635436000	S1-02642445000	S1-02642370000	S1-02642370000
27	Top	S1-07327844001	S1-07323893002	S1-07327844001	S1-07327844001
28	Foam, Outdoor Coil	S1-02815863000	S1-02815509000	S1-02815863000	S1-02815863000
29	Guard, Coil	S1-07327846005	S1-37327821012	S1-07327846008	S1-07327846008
30	Cover, Control Box	S1-07323895002	S1-07323895002	S1-07323895002	S1-07323895002
31	Pan, Base	S1-07327844002	S1-07323894002	S1-07327844002	S1-07327844002
32	Coil Guard, Plastic Mesh	S1-02814728000	S1-02645710000	S1-02814733000	S1-02814733000
33	Panel, Blockoff	S1-07323898001	S1-07327808001	S1-07327808001	S1-07327808001
34	Fastener, Push-in (6 Req'd)	S1-02118381000	S1-02118381000	S1-02118381000	S1-02118381000
35	Plate, Bezel	S1-02815487000	S1-02815487000	S1-02815487000	S1-02815487000
36*	Harness, Wire	S1-37326955005	S1-37326955005	S1-37326955005	S1-37326955005
37*	Harness, Reversing Valve	S1-02531923000	S1-02531923000	S1-02531923000	S1-02531923000
38*	Harness, Main Wiring	S1-37320055004	S1-37320055004	S1-37320055004	S1-37320055004
39*	Harness, Compressor	S1-02541088000	S1-02541088000	S1-02541088000	S1-02531884000
40*	Orifice, Refrigerant (.051)	S1-02919387021	---	---	---
	Orifice, Refrigerant (.059)	---	S1-02919387010	---	---
	Orifice, Refrigerant (.063)	---	---	S1-02919387015	---
	Orifice, Refrigerant (.071)	---	---	---	S1-02919387029
41	Transformer	---	---	---	---
42	Relay	---	---	---	---
43*	Wiring Diagram	331677	331677	331677	331677

**NOTE:** \*Not ShownNew replacement parts shown in **bold** face type at the first printing of parts list dated 1/10.

Major components and suggested stocking items are shown with shaded item number.

"←" Across from row indicates a change in that row.

--- Not applicable to specified model.

ITEM	DESCRIPTION	THGF42S41S1A	THGF42S41S2A	THGF48S41S1A	THGF60S41S1A
1	Compressor	S1-01504229004	S1-01504229004	S1-01503960004	S1-01503671004
2	Muffler, Discharge	---	---	---	---
3	Filter Drier	S1-52636219000	S1-52636219000	S1-52636219000	S1-52636219000
4	Base Valve (3/8") (Liquid)	S1-02531899000	S1-02531899000	S1-02531899000	S1-02531899000
	Base Valve (7/8") (Suction)	S1-02531901000	S1-02531901000	S1-02531901000	S1-02531901000
6	Compressor Mount (Pkg. of 4)	S1-02810581000	S1-02810581000	S1-02810581000	S1-02810581000
7	Accumulator	S1-02634090000	S1-02635441000	S1-02625573008	S1-02625573008
8	Outdoor Coil Assembly	S1-37327847003	S1-37327890001	S1-37327847002	S1-37327847002
9	Valve, TXV	S1-02541339000	S1-02541339000	S1-02538739042	S1-02538739060
10	Contactor (30 amp)	S1-02427531000	S1-02427531000	S1-02427531000	---
	Contactor (40 amp)	---	---	---	S1-02425837700
11	Lug, Ground	S1-02521798000	S1-02521798000	S1-02521798000	S1-02521798000
12	Relief, Strain	S1-02509080000	S1-02509080000	S1-02509080000	S1-02509080000
13	Dual Capacitor (55/5 MFD)	S1-02425511700	S1-02425511700	---	---
	Dual Capacitor (60/5 MFD)	---	---	S1-02432083000	---
	Dual Capacitor (80/5 MFD)	---	---	---	S1-02435853000
14	Board, Defrost Control	S1-33101975102	S1-33101975102	S1-33101975102	S1-03109178000
15	Pressure Switch, Low	S1-02541264000	S1-02541264000	S1-02541264000	S1-02538889000
16	Pressure Switch, High	S1-02535359000	S1-02535359000	S1-02535359000	S1-02538888001
17*	Sensor, Temperature (Coil)	S1-03101276000	S1-03101276000	S1-03101276000	S1-03101276000
18*	Sensor, Temperature (Ambient)	S1-02532701016	S1-02532701016	S1-02532701016	S1-02532701000
19	Valve, Reversing	S1-02538946000	S1-02538946000	S1-02538947000	S1-02538947000
20	Solenoid Coil, Reversing Valve	S1-02538948000	S1-02538948000	S1-02538948000	S1-02538948000
21	Assembly, Distributor	S1-02533424234	S1-02533424234	S1-02533424236	S1-02533424236
	Assembly, TXV/Distributor	S1-02542664000	S1-02541447000	S1-02542663000	S1-02542636000
22	Kit, Motor Mounting (Acorn Nuts)	S1-36390117700	S1-36390117700	S1-36390117700	S1-36390117700
23	Guard, Fan	S1-02642586000	S1-02642586000	S1-02642586000	S1-02642586000
24	Motor, Fan	S1-02435819000	S1-02435819000	S1-02435819000	S1-02435819000
25	Wireway	S1-02815864000	S1-02815864000	S1-02815864000	S1-02815864000
26	Blade, Fan	S1-02642370000	S1-0264370000	S1-02642370000	S1-02642370000
27	Top	S1-07327844001	S1-07327844001	S1-07327844001	S1-07327844001
28	Foam, Outdoor Coil	S1-02815863000	S1-02815863000	S1-02815869000	S1-02815869000
29	Guard, Coil	S1-07327846008	S1-07327846008	S1-07327846008	S1-07327846008
30	Cover, Control Box	S1-07323895002	S1-07323895002	S1-07323895002	S1-07323895002
31	Pan, Base	S1-07327844002	S1-07327844002	S1-07327844002	S1-07327844002
32	Coil Guard, Plastic Mesh	S1-02814733000	S1-02814733000	S1-02814733000	S1-02814733000
33	Panel, Blockoff	S1-07327808001	S1-07327808001	S1-07327808001	S1-07327808001
34	Fastener, Push-in (6 Req'd)	S1-02118381000	S1-02118381000	S1-02118381000	S1-02118381000
35	Plate, Bezel	S1-02815487000	S1-02815487000	S1-02815487000	S1-02815487000
36*	Harness, Wire	S1-37326955005	S1-37326955005	S1-37326955005	S1-37326955005
37*	Harness, Reversing Valve	S1-02531923000	S1-02531923000	S1-02531923000	S1-02531923000
38*	Harness, Main Wiring	S1-37320055004	S1-37320055004	S1-37320055004	S1-37320055004
39*	Harness, Compressor	S1-02531884000	S1-02531884000	S1-02531884000	S1-02531884000
40*	Orifice, Refrigerant (.075)	S1-02919387017	S1-02919387017	---	---
41	Transformer	---	---	---	S1-02518452700
42	Relay	---	---	---	S1-3024-3111
43*	Wiring Diagram	331677	331677	331677	449672

**NOTE:** \*Not Shown  
New replacement parts shown in **bold** face type at the first printing of parts list dated 1/10.  
Major components and suggested stocking items are shown with shaded item number.  
"←" Across from row indicates a change in that row.  
--- Not applicable to specified model.



**TO ORDER AUTHORIZED FACTORY REPLACEMENT PARTS** - Contact your Source1 HVAC Parts Distributor or visit our website at [www.Source1Parts.com](http://www.Source1Parts.com) for a Distributor and Dealer listing.

Subject to change without notice. Published in U.S.A.  
Copyright © 2010 by Johnson Controls, Inc. All rights reserved.

035-22251-001 Rev. G (0110)  
Supersedes: 035-22251-001 Rev. F (0809)

---

**Johnson Controls Unitary Products**  
5005 York Drive  
Norman, OK 73069