



www.Source1Parts.com

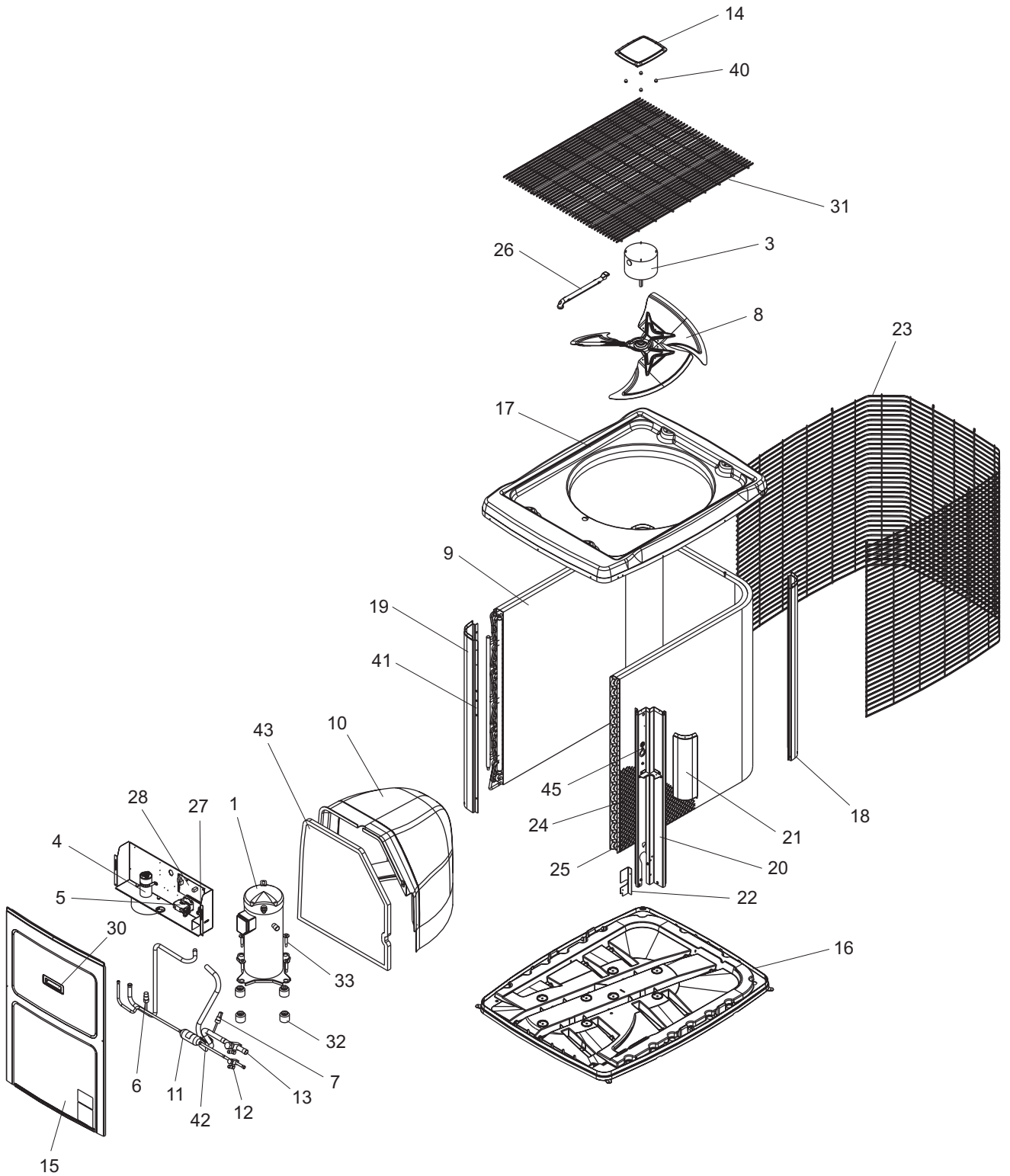
# AC8 SERIES - 18 SEER AIR CONDITIONERS WITH COMMUNICATING CONTROLS R-410A (STYLE A)

HVAC SERVICE PARTS

Supersedes: Nothing

035-22261-001 Rev. A (0909)

1 of 2



ITEM	DESCRIPTION	AC8B024F1CA	AC8B036F1CA	AC8B048F1CA	AC8B060F1CA	<
1	Compressor	S1-01503668004	S1-01503669004	S1-01503670004	S1-01503671004	
2*	Compressor Harness	S1-02531885000	S1-02531885000	S1-02531885000	S1-02531885000	
3	Motor, Direct Drive Fan	S1-02434672000	S1-02434672000	S1-02434672000	S1-02434672000	
4	Capacitor, Run (35/5MFD) [RC]	S1-02423998700	---	---	---	
	Capacitor, Run (40/5MFD) [RC]	---	S1-02425893700	---	---	
	Capacitor, Run (45/5MFD) [RC]	---	---	S1-02434672000	---	
	Capacitor, Run (80/5MFD) [RC]	---	---	---	S1-02426037000	
5	Contact, Electrical (40 AMP) [M]	S1-02425837700	S1-02425837700	S1-02425837700	S1-02425837700	
6	Control Pressure (High)	S1-02538888001	S1-02538888001	S1-02538888001	S1-02538888001	
7	Control Pressure (Low)	<b>S1-02542674000</b>	<b>S1-02542674000</b>	<b>S1-02542674000</b>	<b>S1-02542674000</b>	
8	Blade, Fan	S1-02642370000	S1-02642284000	S1-02642524000	S1-02642524000	
9	Coil, Condenser	S1-37327817001	S1-37327817001	S1-37327817002	S1-37327817002	
10	Bulkhead, Large	S1-02815507000	S1-02815507000	S1-02815507000	S1-02815507000	
11	Filter/Drier	S1-02922195000	S1-02922195000	S1-02922195000	S1-02922195000	
12	Valve Base, Liquid (3/8")	S1-02209064375	S1-02209064375	S1-02209064375	S1-02209064375	
13	Valve Base, Suction (3/4")	S1-02209064750	S1-02209064750	---	---	
	Valve Base, Suction (7/8")	---	---	S1-02209064875	S1-02209064875	
14	Top Cap Assy	S1-02814888010	S1-02814888010	S1-02814888010	S1-02814888010	
15	Access Panel	S1-07327887004	S1-07327887004	S1-07327887004	S1-07327887004	
16	Pan, Base	S1-03200214000	S1-03200214000	S1-03200214000	S1-03200214000	
17	Panel, Top	S1-07327895001	S1-07327895001	S1-07327895001	S1-07327895001	
18	Corner Post, Front (2 Req'd)	S1-07327888003	S1-07327888003	S1-07327888003	S1-07327888003	
19	Corner Post, Access	S1-07327888006	S1-07327888006	S1-07327888006	S1-07327888006	
20	Corner Post, Valve	S1-07327888009	S1-07327888009	S1-07327888009	S1-07327888009	
21	Corner Cover, Access	S1-07327884001	S1-07327884001	S1-07327884001	S1-07327884001	
22	Bracket, Valve	S1-07327885001	S1-07327885001	S1-07327885001	S1-07327885001	
23	Coil Guard	S1-07323830002	S1-07323830002	S1-07323830002	S1-07323830002	
24	Guard, Plastic Wire Mesh Coil	S1-02815464000	S1-02815464000	S1-02815464000	S1-02815464000	
25*	Fastener, Push-In ( 8 Req'd)	S1-02118381000	S1-02118381000	S1-02118381000	S1-02118381000	
26	Wireway	S1-02815463000	S1-02815463000	S1-02815463000	S1-02815463000	
27	Lug, Electrical	S1-02521798000	S1-02521798000	S1-02521798000	S1-02521798000	
28*	Control Board, Communicating	<b>S1-33102952000</b>	<b>S1-33102952000</b>	<b>S1-33102952000</b>	<b>S1-33102952000</b>	
29*	Bezel Plate Assy (1 Req'd)	S1-02814889001	S1-02814889001	S1-02814889001	S1-02814889001	
30	Handle, Access	S1-02814886000	S1-02814886000	S1-02814886000	S1-02814886000	
31	Guard, Fan	S1-02642282000	S1-02642282000	S1-02642282000	S1-02642282000	
32	Grommet, Isolator (Comp) (Pkg. of 4)	S1-02810505000	S1-02810505000	S1-02810505000	S1-02810505000	
33	Bolt, Compressor (4 Req'd)	S1-02118391000	S1-02118391000	S1-02118391000	S1-02118391000	
34*	Screw, Black #10 x 3/8"	S1-02118396000	S1-02118396000	S1-02118396000	S1-02118396000	
35*	Screw, Black #10 x 3/4"	S1-02118397000	S1-02118397000	S1-02118397000	S1-02118397000	
36*	Screw, #8 x 1-1/2" Torx Head	S1-02118398000	S1-02118398000	S1-02118398000	S1-02118398000	
37*	Diagram, Wiring	501650	501650	501650	501650	
38*	Wire Harness	<b>S1-02542676000</b>	<b>S1-02542676000</b>	<b>S1-02542676000</b>	<b>S1-02542676000</b>	
39*	Wiring Harness, Compressor Solenoid	S1-02538936000	S1-02538936000	S1-02538936000	S1-02538936000	
40	Kit, Motor Mounting (Acorn Nuts)	S1-36390117700	S1-36390117700	S1-36390117700	S1-36390117700	
41*	Grommet, Plastic (Spacer, 2 Req'd)	S1-02814880000	S1-02814880000	S1-02814880000	S1-02814880000	
42*	Grommet, Vibration Reducer (7/8")	S1-02815165003	S1-02815165003	S1-02815165003	S1-02815165003	
43*	Insulation Door - Large	S1-01007631000	S1-01007631000	S1-01007631000	S1-01007631000	
44	Sensor, Ambient	<b>S1-02542683000</b>	<b>S1-02542683000</b>	<b>S1-02542683000</b>	<b>S1-02542683000</b>	
45	Harness, Low Voltage	<b>S1-02542675000</b>	<b>S1-02542675000</b>	<b>S1-02542675000</b>	<b>S1-02542675000</b>	

**NOTE:** \*Not ShownNew replacement parts shown in **bold** face type at the first printing of parts list dated 9/09.

Major components and suggested stocking items are shown with shaded item number.

"←" Across from row indicates a change in that row.

--- Not applicable to specified model.

**TO ORDER AUTHORIZED FACTORY REPLACEMENT PARTS** - Contact your Source1 HVAC Parts Distributor or visit our website at [www.Source1Parts.com](http://www.Source1Parts.com) for a Distributor and Dealer listing.