



www.Source1Parts.com

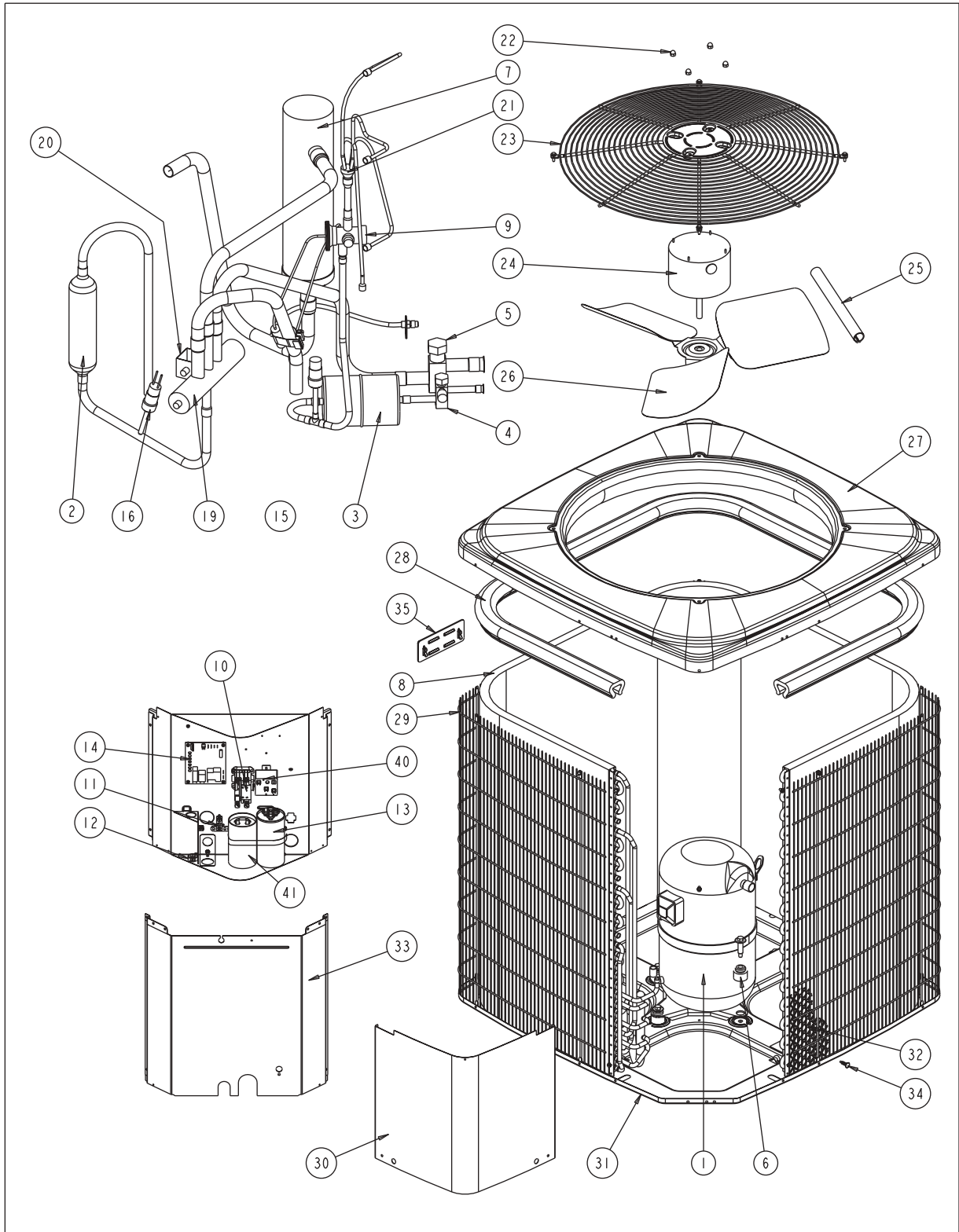
HVAC SERVICE PARTS

GHGD SERIES - TUBE & FIN 13 SEER HEAT PUMP, R-410A (STYLE A)

Supersedes:035-22265-001 Rev. C (0809)

035-22265-001 Rev. D (0610)

1 of 4




ITEM	DESCRIPTION	GHGD18S41S1A	GHGD24S41S1A	GHGD30S41S1A
1	Compressor	S1-01503895001	S1-01503249001	S1-01503986001
2	Muffler, Discharge	S1-02642465000	S1-02642465000	S1-02642465000
3	Filter Drier	S1-52636219000	S1-52636219000	S1-52636219000
4	Base Valve (3/8") (Liquid)	S1-02531899000	S1-02531899000	S1-02531899000
5	Base Valve (3/4") (Suction)	S1-02531900000	S1-02531900000	S1-02531900000
6	Compressor Mount (Pkg. of 4)	S1-9435-1081	S1-9435-1081	S1-9435-1091
7	Accumulator	S1-02634090000	S1-02634090000	S1-02634090000
8	Outdoor Coil Assembly	S1-37327845001	S1-37327845002	S1-37327847001
9	Valve, TXV	S1-02541346000	S1-02541345000	S1-02538739036
10	Contactora (30 amp)	S1-02427531000	S1-02427531000	S1-02427531000
11	Lug, Ground	S1-02521798000	S1-02521798000	S1-02521798000
12	Relief, Strain	S1-02509080000	S1-02509080000	S1-02509080000
13	Dual Capacitor (30/7.5 MFD)	S1-02435784000	---	---
	Dual Capacitor (30/5 MFD)	---	S1-02424778700	---
	Dual Capacitor (35/5 MFD)	---	---	S1-02423998700
14	Board, Defrost Control	S1-33101975102	S1-33101975102	S1-33101975102
15	Pressure Switch, Low	S1-02541264000	S1-02541264000	S1-02541264000
16	Pressure Switch, High	S1-02535359000	S1-02535359000	S1-02535359000
17*	Sensor, Temperature (Coil)	S1-03101276000	S1-03101276000	S1-03101276000
18*	Sensor, Temperature (Ambient)	S1-02532701016	S1-02532701016	S1-02532701016
19	Valve, Reversing	S1-02538945000	S1-02538945000	S1-02538945000
20	Solenoid Coil, Reversing Valve	S1-02538948000	S1-02538948000	S1-02538948000
21	Assembly, Distributor	S1-02538973000	S1-02533424233	S1-02533424235
22	Kit, Motor Mounting (Acorn Nuts)	S1-36390117700	S1-36390117700	S1-36390117700
23	Guard, Fan	S1-02642587000	S1-02642587000	S1-02642587000
24	Motor, Fan	S1-02427584000	S1-02435328000	S1-02435328000
25	Wireway	S1-02815864000	S1-02815864000	S1-02815864000
26	Blade, Fan	S1-02635436000	S1-02646400000	S1-02646400000
27	Top	S1-07327844001	S1-07327844001	S1-07327844001
28	Foam, Outdoor Coil	S1-02815863000	S1-02815863000	S1-02815863000
29	Guard, Coil	S1-07327846001	S1-07327846002	S1-07327846003
30	Cover, Control Box	S1-07323895002	S1-07323895002	S1-07323895002
31	Pan, Base	S1-07327844002	S1-07327844002	S1-07327844002
32	Coil Guard, Plastic Mesh	S1-02814728000	S1-02815241000	S1-02815240000
33	Panel, Blockoff	S1-07323898001	S1-07323898002	S1-07327832003
34	Fastener, Push-in (6 Req'd)	S1-02118381000	S1-02118381000	S1-02118381000
35	Plate, Bezel	S1-02815487000	S1-02815487000	S1-02815487000
36*	Harness, Wire	S1-37326955005	S1-37326955005	S1-37326955005
37*	Harness, Reversing Valve	S1-02531923000	S1-02531923000	S1-02531923000
38*	Harness, Main Wiring	S1-37320055004	S1-37320055004	S1-37320055004
39*	Harness, Compressor	S1-02531884000	S1-02531884000	S1-02531884000
40	Relay, Start	S1-02435609000	S1-02435610000	S1-02435610000
41	Capacitor, Start	S1-02425390700	S1-02425390700	S1-02425390700
42*	Switch, High Temperature	---	---	---
42*	Wiring Diagram	331677	331677	331677

<

NOTE: *Not Shown
 New replacement parts shown in **bold** face type at the first printing of parts list dated 6/10.
 Major components and suggested stocking items are shown with shaded item number.
 "<" Across from row indicates a change in that row.
 --- Not applicable to specified model.



ITEM	DESCRIPTION	GHGD36S41S1A	GHGD42S41S1A	GHGD48S41S1A	GHGD60S41S2A
1	Compressor	S1-01503897001	S1-01503592004	S1-01503594004	S1-01503891004
2	Muffler, Discharge	S1-02642465000	---	---	---
3	Filter Drier	S1-52636219000	S1-52636219000	S1-52636219000	S1-52636219000
4	Base Valve (3/8") (Liquid)	S1-02531899000	S1-02531899000	S1-02531899000	S1-02531899000
5	Base Valve (3/4") (Suction)	S1-02531900000	---	---	---
	Base Valve (7/8") (Suction)	---	S1-02531901000	S1-02531901000	S1-02531901000
6	Compressor Mount (Pkg. of 4)	S1-9435-1081	S1-02810581000	S1-02810581000	S1-02810581000
7	Accumulator	S1-02634090000	S1-02634090000	S1-02625573008	S1-02625573008
8	Outdoor Coil Assembly	S1-37327845005	S1-37327847003	S1-37327847002	S1-37327847002
9	Valve, TXV	S1-02538739036	S1-02538739036	S1-02538739042	S1-02538739060
10	Contactora (30 amp)	S1-02427531000	S1-02427531000	S1-02427531000	---
	Contactora (40 amp)	---	---	---	S1-02425837700
11	Lug, Ground	S1-02521798000	S1-02521798000	S1-02521798000	S1-02521798000
12	Relief, Strain	S1-02509080000	S1-02509080000	S1-02509080000	S1-02509080000
13	Dual Capacitor (35/5 MFD)	S1-02425859700	---	---	---
	Dual Capacitor (55/5 MFD)	---	S1-02425049700	---	---
	Dual Capacitor (70/5 MFD)	---	---	S1-02427616000	S1-02427616000
14	Board, Defrost Control	S1-33101975102	S1-33101975102	S1-33101975102	S1-33101975102
15	Pressure Switch, Low	S1-02541264000	S1-02541264000	S1-02541264000	S1-02541264000
16	Pressure Switch, High	S1-02535359000	S1-02535359000	S1-02535359000	S1-02535359000
17*	Sensor, Temperature (Coil)	S1-03101276000	S1-03101276000	S1-03101276000	S1-03101276000
18*	Sensor, Temperature (Ambient)	S1-02532701016	S1-02532701016	S1-02532701016	S1-02532701016
19	Valve, Reversing	S1-02538945000	S1-02538946000	S1-02538947000	S1-02538947000
20	Solenoid Coil, Reversing Valve	S1-02538948000	S1-02538948000	S1-02538948000	S1-02538948000
21	Assembly, Distributor	S1-02533424234	S1-02533424234	S1-02533424236	S1-02533424236
22	Kit, Motor Mounting (Acorn Nuts)	S1-36390117700	S1-36390117700	S1-36390117700	S1-36390117700
23	Guard, Fan	S1-02642587000	S1-02642587000	S1-02642587000	S1-02642587000
24	Motor, Fan	S1-02435819000	S1-02435819000	S1-02435819000	S1-02435819000
25	Wireway	S1-02815864000	S1-02815864000	S1-02815864000	S1-02815864000
26	Blade, Fan	S1-02631361000	S1-02642434000	S1-02642434000	S1-02642434000
27	Top	S1-07327844001	S1-07327844001	S1-07327844001	S1-07327844001
28	Foam, Outdoor Coil	S1-02815863000	S1-02815863000	S1-02815869000	S1-02815869000
29	Guard, Coil	S1-07327846004	S1-07327846004	S1-07327846004	S1-07327846004
30	Cover, Control Box	S1-07323895002	S1-07323895002	S1-07323895002	S1-07323895002
31	Pan, Base	S1-07327844002	S1-07327844002	S1-07327844002	S1-07327844002
32	Coil Guard, Plastic Mesh	S1-02714733000	S1-02714733000	S1-02714733000	S1-02714733000
33	Panel, Blockoff	S1-07327808001	S1-07327808001	S1-07327808001	S1-07327808001
34	Fastener, Push-in (6 Req'd)	S1-02118381000	S1-02118381000	S1-02118381000	S1-02118381000
35	Plate, Bezel	S1-02815487000	S1-02815487000	S1-02815487000	S1-02815487000
36*	Harness, Wire	S1-37326955005	S1-37326955005	S1-37326955005	S1-37326955005
37*	Harness, Reversing Valve	S1-02531923000	S1-02531923000	S1-02531923000	S1-02531923000
38*	Harness, Main Wiring	S1-37320055004	S1-37320055004	S1-37320055004	S1-37320055004
39*	Harness, Compressor	S1-02531884000	S1-02531884000	S1-02531884000	S1-02531884000
40	Relay, Start	S1-02435611000	---	---	---
41	Capacitor, Start	S1-02525390700	---	---	---
42*	Switch, High Temperature	---	---	---	---
43*	Wiring Diagram	331677	331677	331677	331677

NOTE: *Not Shown
New replacement parts shown in **bold** face type at the first printing of parts list dated 6/10.
Major components and suggested stocking items are shown with shaded item number. 
"←" Across from row indicates a change in that row.
--- Not applicable to specified model.

TO ORDER AUTHORIZED FACTORY REPLACEMENT PARTS - Contact your Source1 HVAC Parts Distributor or visit our website at www.Source1Parts.com for a Distributor and Dealer listing.

Subject to change without notice. Published in U.S.A.
Copyright © 2010 by Johnson Controls, Inc. All rights reserved.

035-22265-001 Rev. D (0610)
Supersedes: 035-22265-001 Rev. C (0809)

Johnson Controls Unitary Products
5005 York Drive
Norman, OK 73069