



www.Source1Parts.com

HVAC SERVICE PARTS

ELECTRIC WALL MOUNTED AIR HANDLERS X13 MOTORS, PISTON AND R-401A MODELS (STYLE A)

Supersedes:None

035-22273-001 Rev. A (0309)

1 of 6

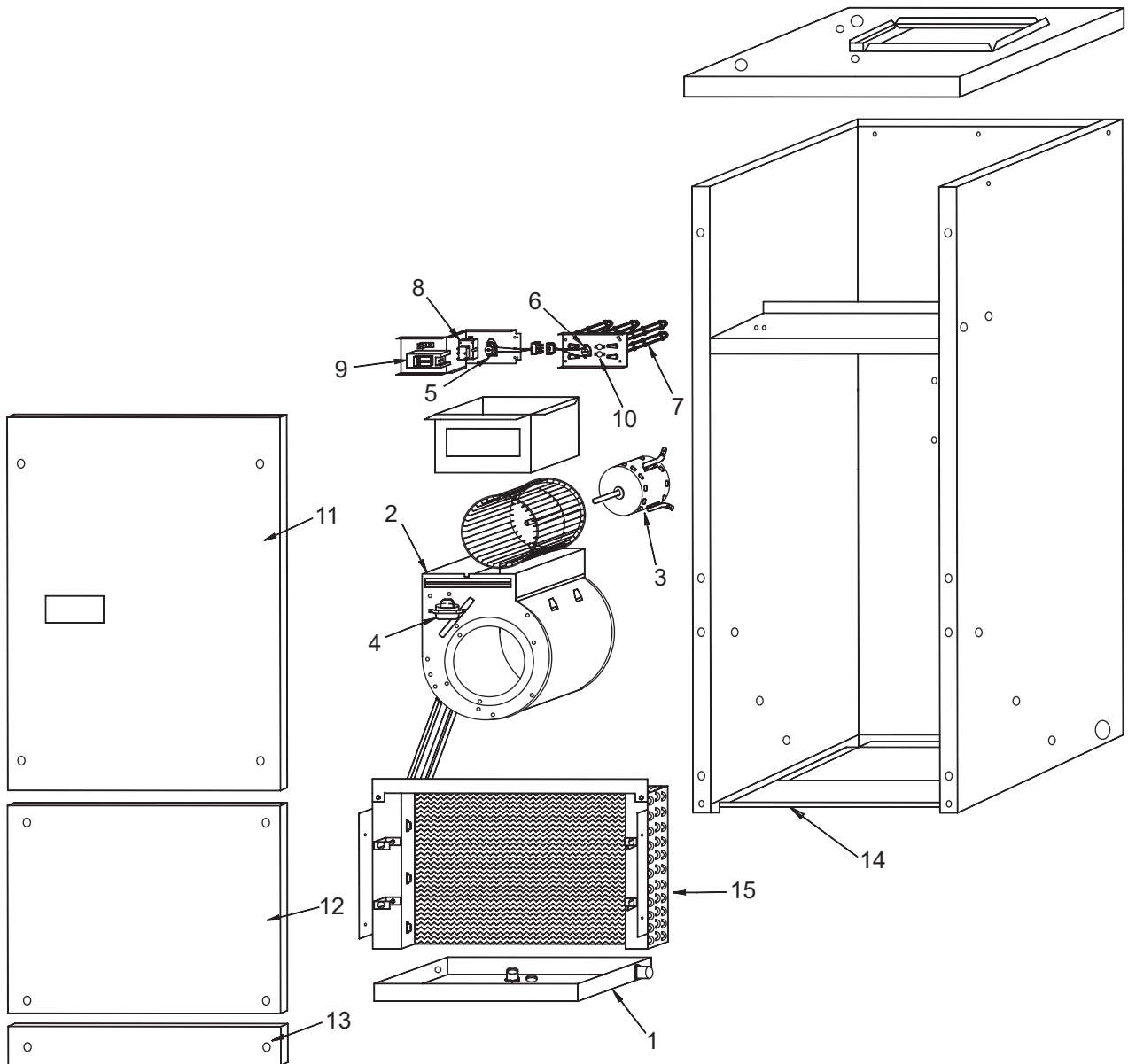


FIGURE 1: ELECTRIC WALL MOUNTED AIR HANDLER WITH NO ELECTRIC HEAT - ORIFICE MODEL

ITEM	DESCRIPTION	EWXN18055N211A	EWXN24059N211A	EWXN30068N211A	EWXN36074N211A <
1	Drain Pan	S1-Z46PAN	S1-Z46PAN	S1-Z46PAN	S1-Z46PAN
2	Blower Housing & Wheel	S1-8201	S1-8201	S1-8200	S1-8200
3	Motor	S1-8644	S1-8644	S1-8646	S1-8646
3A*	Motor Mount Collar	S1-8532	S1-8532	S1-8646	S1-8646
3B*	Motor Mount Arms (3 Req'd)	S1-8563	S1-8563	S1-8563	S1-8563
3C*	Wire Harness, X13	S1-127038	S1-127038	S1-127038	S1-127038
3D*	Wire Harness, Lo Speed	S1-127039	S1-127039	S1-127039	S1-127039
4	Blower Assembly	S1-110019	S1-110019	S1-110020	S1-110020
5	Blower Time Delay Relay	S1-8231	S1-8231	S1-8231	S1-8231
6	Heat Sequencer	---	---	---	---
7	Heater	---	---	---	---
8	Transformer	---	---	---	---
9	Circuit Breaker	---	---	---	---
10	Limit Control - 150 Deg.	---	---	---	---
11	Upper Door Assembly	S1-121584	S1-121584	S1-121587	S1-121587
12	Lower Solid Door	S1-121595	S1-121595	S1-121596	S1-121596
	Lower Return Door (Perforated)	S1-121085	S1-121085	S1-121088	S1-121088
13	Bottom Brace	S1-121075	S1-121075	S1-121075	S1-121075
14	Bottom Return Block-Off	S1-121076	S1-121076	S1-121077	S1-121077
15	Coil Assembly	S1-129054	S1-129040	S1-129049	S1-129049
16*	Heat Kit (Item #6,7,8,9,10)	---	---	---	---
17*	Piston	S1-3999	S1-4000	S1-3987	S1-ASP4001
18*	Seal, Circuit Breaker	---	---	---	---
19*	Louvered Access Door Kit	S1-WAD-7L	S1-WAD-7L	S1-WAD-8L	S1-WAD-8L

FIGURE 1: ELECTRIC WALL MOUNTED AIR HANDLER WITH 3KW ELECTRIC HEAT - ORIFICE MODEL

ITEM	DESCRIPTION	EWXW18055C03211A	EWXW24059C03211A	EWXW30068C03211A	EWXW36074C03211A <
1	Drain Pan	S1-Z46PAN	S1-Z46PAN	S1-Z46PAN	S1-Z46PAN
2	Blower Housing & Wheel	S1-8201	S1-8201	S1-8200	S1-8200
3	Motor	S1-8644	S1-8644	S1-8646	S1-8646
3A*	Motor Mount Collar	S1-8532	S1-8532	S1-8646	S1-8646
3B*	Motor Mount Arms (3 Req'd)	S1-8563	S1-8563	S1-8563	S1-8563
3C*	Wire Harness, X13	S1-127038	S1-127038	S1-127038	S1-127038
3D*	Wire Harness, Lo Speed	S1-127039	S1-127039	S1-127039	S1-127039
4	Blower Assembly	S1-110019	S1-110019	S1-110020	S1-110020
5	Blower/Pump Time Delay Relay	S1-8231	S1-8231	S1-8231	S1-8231
6	Heat Sequencer	S1-8232	S1-8232	S1-8232	S1-8232
7	Heater	S1-8678	S1-8678	S1-8678	S1-8678
8	Transformer	S1-8246	S1-8246	S1-8246	S1-8246
9	Circuit Breaker	S1-8272	S1-8272	S1-8272	S1-8272
10	Limit Control - 150 Deg.	S1-ASP8515	S1-ASP8515	S1-ASP8515	S1-ASP8515
11	Upper Door Assembly	S1-121584	S1-121584	S1-121587	S1-121587
12	Lower Solid Door	S1-121595	S1-121595	S1-121596	S1-121596
	Lower Return Door (Perforated)	S1-121085	S1-121085	S1-121088	S1-121088
13	Bottom Brace	S1-121075	S1-121075	S1-121075	S1-121075
14	Bottom Return Block-Off	S1-121076	S1-121076	S1-121077	S1-121077
15	Coil Assembly	S1-129054	S1-129040	S1-129049	S1-129049
16*	Heat Kit (Item #6,7,8,9,10)	S1-EK0603211	S1-EK0603211	S1-EK0603211	S1-EK0603211
17*	Piston	S1-3999	S1-4000	S1-3987	S1-ASP4001
18*	Seal, Circuit Breaker	S1-02435672000	S1-02435672000	S1-02435672000	S1-02435672000
19*	Louvered Access Door Kit	S1-WAD-7L	S1-WAD-7L	S1-WAD-8L	S1-WAD-8L

NOTE: *Not ShownNew replacement parts shown in **bold** face type at the first printing of parts list dated 3/09.

Major components and suggested stocking items are shown with shaded item number.

"←" Across from row indicates a change in that row.

--- Not applicable to specified model.

FIGURE 1: ELECTRIC WALL MOUNTED AIR HANDLER WITH 5KW ELECTRIC HEAT - ORIFICE MODEL

ITEM	DESCRIPTION	EWXW18055C05211A	EWXW24059C05211A	EWXW30068C05211A	EWXW36074C05211A
1	Drain Pan	S1-Z46PAN	S1-Z46PAN	S1-Z46PAN	S1-Z46PAN
2	Blower Housing & Wheel	S1-8201	S1-8201	S1-8200	S1-8200
3	Motor	S1-8644	S1-8644	S1-8646	S1-8646
3A*	Motor Mount Collar	S1-8532	S1-8532	S1-8646	S1-8646
3B*	Motor Mount Arms (3 Req'd)	S1-8563	S1-8563	S1-8563	S1-8563
3C*	Wire Harness, X13	S1-127038	S1-127038	S1-127038	S1-127038
3D*	Wire Harness, Lo Speed	S1-127039	S1-127039	S1-127039	S1-127039
4	Blower Assembly	S1-110019	S1-110019	S1-110020	S1-110020
5	Blower/Pump Time Delay Relay	S1-8231	S1-8231	S1-8231	S1-8231
6	Heat Sequencer	S1-8232	S1-8232	S1-8232	S1-8232
7	Heater	S1-8239	S1-8239	S1-8239	S1-8239
8	Transformer	S1-8246	S1-8246	S1-8246	S1-8246
9	Circuit Breaker	S1-8273	S1-8273	S1-8273	S1-8273
10	Limit Control - 150 Deg.	S1-ASP8515	S1-ASP8515	S1-ASP8515	S1-ASP8515
11	Upper Door Assembly	S1-121584	S1-121584	S1-121587	S1-121587
12	Lower Solid Door	S1-121595	S1-121595	S1-121596	S1-121596
	Lower Return Door (Perforated)	S1-121085	S1-121085	S1-121088	S1-121088
13	Bottom Brace	S1-121075	S1-121075	S1-121075	S1-121075
14	Bottom Return Block-Off	S1-121076	S1-121076	S1-121077	S1-121077
15	Coil Assembly	S1-129054	S1-129040	S1-129049	S1-129049
16*	Heat Kit (Item #6,7,8,9,10)	S1-EK0605211	S1-EK0605211	S1-EK0605211	S1-EK0605211
17*	Piston	S1-3999	S1-4000	S1-3987	S1-ASP4001
18*	Seal, Circuit Breaker	S1-02435672000	S1-02435672000	S1-02435672000	S1-02435672000
19*	Louvered Access Door Kit	S1-WAD-7L	S1-WAD-7L	S1-WAD-8L	S1-WAD-8L

FIGURE 1: ELECTRIC WALL MOUNTED AIR HANDLER WITH 8KW ELECTRIC HEAT - ORIFICE MODEL

ITEM	DESCRIPTION	EWXW18055C08211A	EWXW24059C08211A	EWXW30068C08211A	EWXW36074C08211A
1	Drain Pan	S1-Z46PAN	S1-Z46PAN	S1-Z46PAN	S1-Z46PAN
2	Blower Housing & Wheel	S1-8201	S1-8201	S1-8200	S1-8200
3	Motor	S1-8644	S1-8644	S1-8646	S1-8646
3A*	Motor Mount Collar	S1-8532	S1-8532	S1-8646	S1-8646
3B*	Motor Mount Arms (3 Req'd)	S1-8563	S1-8563	S1-8563	S1-8563
3C*	Wire Harness, X13	S1-127038	S1-127038	S1-127038	S1-127038
3D*	Wire Harness, Lo Speed	S1-127039	S1-127039	S1-127039	S1-127039
4	Blower Assembly	S1-110019	S1-110019	S1-110020	S1-110020
5	Blower/Pump Time Delay Relay	S1-8231	S1-8231	S1-8231	S1-8231
6	Heat Sequencer	S1-8232	S1-8232	S1-8232	S1-8232
7	Heater	S1-8241	S1-8241	S1-8241	S1-8241
8	Transformer	S1-8246	S1-8246	S1-8246	S1-8246
9	Circuit Breaker	S1-8275	S1-8275	S1-8275	S1-8275
10	Limit Control - 150 Deg.	S1-ASP8515	S1-ASP8515	S1-ASP8515	S1-ASP8515
11	Upper Door Assembly	S1-121584	S1-121584	S1-121587	S1-121587
12	Lower Solid Door	S1-121595	S1-121595	S1-121596	S1-121596
	Lower Return Door (Perforated)	S1-121085	S1-121085	S1-121088	S1-121088
13	Bottom Brace	S1-121075	S1-121075	S1-121075	S1-121075
14	Bottom Return Block-Off	S1-121076	S1-121076	S1-121077	S1-121077
15	Coil Assembly	S1-129054	S1-129040	S1-129049	S1-129049
16*	Heat Kit (Item #6,7,8,9,10)	S1-EK0608211	S1-EK0608211	S1-EK0608211	S1-EK0608211
17*	Piston	S1-3999	S1-4000	S1-3987	S1-ASP4001
18*	Seal, Circuit Breaker	S1-02435672000	S1-02435672000	S1-02435672000	S1-02435672000
19*	Louvered Access Door Kit	S1-WAD-7L	S1-WAD-7L	S1-WAD-8L	S1-WAD-8L

NOTE: *Not Shown
 New replacement parts shown in **bold** face type at the first printing of parts list dated 3/09.
 Major components and suggested stocking items are shown with shaded item number.
 "--" Across from row indicates a change in that row.
 --- Not applicable to specified model.

FIGURE 1: ELECTRIC WALL MOUNTED AIR HANDLER WITH 10KW ELECTRIC HEAT - ORIFICE MODEL

ITEM	DESCRIPTION	EWXW18055C10211A	EWXW24059C10211A	EWXW30068C10211A	EWXW36074C10211A
1	Drain Pan	S1-Z46PAN	S1-Z46PAN	S1-Z46PAN	S1-Z46PAN
2	Blower Housing & Wheel	S1-8201	S1-8201	S1-8200	S1-8200
3	Motor	S1-8644	S1-8644	S1-8646	S1-8646
3A*	Motor Mount Collar	S1-8532	S1-8532	S1-8646	S1-8646
3B*	Motor Mount Arms (3 Req'd)	S1-8563	S1-8563	S1-8563	S1-8563
3C*	Wire Harness, X13	S1-127038	S1-127038	S1-127038	S1-127038
3D*	Wire Harness, Lo Speed	S1-127039	S1-127039	S1-127039	S1-127039
4	Blower Assembly	S1-110019	S1-110019	S1-110020	S1-110020
5	Blower/Pump Time Delay Relay	S1-8231	S1-8231	S1-8231	S1-8231
6	Heat Sequencer	S1-8232	S1-8232	S1-8232	S1-8232
7	Heater	S1-8242	S1-8242	S1-8242	S1-8242
8	Transformer	S1-8246	S1-8246	S1-8246	S1-8246
9	Circuit Breaker	S1-8276	S1-8276	S1-8276	S1-8276
10	Limit Control - 150 Deg.	S1-ASP8515	S1-ASP8515	S1-ASP8515	S1-ASP8515
11	Upper Door Assembly	S1-121584	S1-121584	S1-121587	S1-121587
12	Lower Solid Door	S1-121595	S1-121595	S1-121596	S1-121596
	Lower Return Door (Perforated)	S1-121085	S1-121085	S1-121088	S1-121088
13	Bottom Brace	S1-121075	S1-121075	S1-121075	S1-121075
14	Bottom Return Block-Off	S1-121076	S1-121076	S1-121077	S1-121077
15	Coil Assembly	S1-129054	S1-129040	S1-129049	S1-129049
16*	Heat Kit (Item #6,7,8,9,10)	S1-EK0610211	S1-EK0610211	S1-EK0610211	S1-EK0610211
17*	Piston	S1-3999	S1-4000	S1-3987	S1-ASP4001
18*	Seal, Circuit Breaker	S1-02435672000	S1-02435672000	S1-02435672000	S1-02435672000
19*	Louvered Access Door Kit	S1-WAD-7L	S1-WAD-7L	S1-WAD-8L	S1-WAD-8L

FIGURE 1: ELECTRIC WALL MOUNTED AIR HANDLER WITH NO ELECTRIC HEAT, R- 410A TXV

ITEM	DESCRIPTION	EWXN184T1N211A	EWXN244T1N211A	EWXN304T1N211A	EWXN364T1N211A
1	Drain Pan	S1-Z46PAN	S1-Z46PAN	S1-Z46PAN	S1-Z46PAN
2	Blower Housing & Wheel	S1-8201	S1-8201	S1-8200	S1-8200
3	Motor	S1-8644	S1-8644	S1-8646	S1-8646
3A*	Motor Mount Collar	S1-8532	S1-8532	S1-8646	S1-8646
3B*	Motor Mount Arms (3 Req'd)	S1-8563	S1-8563	S1-8563	S1-8563
3C*	Wire Harness, X13	S1-127038	S1-127038	S1-127038	S1-127038
3D*	Wire Harness, Lo Speed	S1-127039	S1-127039	S1-127039	S1-127039
4	Blower Assembly	S1-110019	S1-110019	S1-110020	S1-110020
5	Blower/Pump Time Delay Relay	S1-8231	S1-8231	S1-8231	S1-8231
6	Heat Sequencer	---	---	---	---
7	Heater	---	---	---	---
8	Transformer	---	---	---	---
9	Circuit Breaker	---	---	---	---
10	Limit Control - 150 Deg.	---	---	---	---
11	Upper Door Assembly	S1-121584	S1-121584	S1-121587	S1-121587
12	Lower Solid Door	S1-121595	S1-121595	S1-121596	S1-121596
	Lower Return Door (Perforated)	S1-121085	S1-121085	S1-121088	S1-121088
13	Bottom Brace	S1-121075	S1-121075	S1-121075	S1-121075
14	Bottom Return Block-Off	S1-121076	S1-121076	S1-121077	S1-121077
15	Coil Assembly	S1-129054	S1-129040	S1-129049	S1-129049
16*	Heat Kit (Item #6,7,8,9,10)	---	---	---	---
17*	TXV	S1-4200	S1-4200	S1-4200	S1-4200
18*	Seal, Circuit Breaker	S1-02435672000	S1-02435672000	S1-02435672000	S1-02435672000
19*	Louvered Access Door Kit	S1-WAD-7L	S1-WAD-7L	S1-WAD-8L	S1-WAD-8L

NOTE: *Not ShownNew replacement parts shown in **bold** face type at the first printing of parts list dated 3/09.

Major components and suggested stocking items are shown with shaded item number.

"←" Across from row indicates a change in that row.

--- Not applicable to specified model.

FIGURE 1: ELECTRIC WALL MOUNTED AIR HANDLER WITH 3KW ELECTRIC HEAT , R- 410A TXV

ITEM	DESCRIPTION	EWXW184T1C03211A	EWXW244T1C03211A	EWXW304T1C03211A	EWXW364T1C03211A
1	Drain Pan	S1-Z46PAN	S1-Z46PAN	S1-Z46PAN	S1-Z46PAN
2	Blower Housing & Wheel	S1-8201	S1-8201	S1-8200	S1-8200
3	Motor	S1-8644	S1-8644	S1-8646	S1-8646
3A*	Motor Mount Collar	S1-8532	S1-8532	S1-8646	S1-8646
3B*	Motor Mount Arms (3 Req'd)	S1-8563	S1-8563	S1-8563	S1-8563
3C*	Wire Harness, X13	S1-127038	S1-127038	S1-127038	S1-127038
3D*	Wire Harness, Lo Speed	S1-127039	S1-127039	S1-127039	S1-127039
4	Blower Assembly	S1-110019	S1-110019	S1-110020	S1-110020
5	Blower/Pump Time Delay Relay	S1-8231	S1-8231	S1-8231	S1-8231
6	Heat Sequencer	S1-8232	S1-8232	S1-8232	S1-8232
7	Heater	S1-8678	S1-8678	S1-8678	S1-8678
8	Transformer	S1-8246	S1-8246	S1-8246	S1-8246
9	Circuit Breaker	S1-8272	S1-8272	S1-8272	S1-8272
10	Limit Control - 150 Deg.	S1-ASP8515	S1-ASP8515	S1-ASP8515	S1-ASP8515
11	Upper Door Assembly	S1-121584	S1-121584	S1-121587	S1-121587
12	Lower Solid Door	S1-121595	S1-121595	S1-121596	S1-121596
	Lower Return Door (Perforated)	S1-121085	S1-121085	S1-121088	S1-121088
13	Bottom Brace	S1-121075	S1-121075	S1-121075	S1-121075
14	Bottom Return Block-Off	S1-121076	S1-121076	S1-121077	S1-121077
15	Coil Assembly	S1-129054	S1-129040	S1-129049	S1-129049
16*	Heat Kit (Item #6,7,8,9,10)	S1-EK0603211	S1-EK0603211	S1-EK0603211	S1-EK0603211
17*	TXV	S1-4200	S1-4200	S1-4200	S1-4200
18*	Seal, Circuit Breaker	S1-02435672000	S1-02435672000	S1-02435672000	S1-02435672000
19*	Louvered Access Door Kit	S1-WAD-7L	S1-WAD-7L	S1-WAD-8L	S1-WAD-8L

FIGURE 1: ELECTRIC WALL MOUNTED AIR HANDLER WITH 5KW ELECTRIC HEAT, R- 410A TXV.

ITEM	DESCRIPTION	EWXW184T1C05211A	EWXW244T1C05211A	EWXW304T1C05211A	EWXW364T1C05211A
1	Drain Pan	S1-Z46PAN	S1-Z46PAN	S1-Z46PAN	S1-Z46PAN
2	Blower Housing & Wheel	S1-8201	S1-8201	S1-8200	S1-8200
3	Motor	S1-8644	S1-8644	S1-8646	S1-8646
3A*	Motor Mount Collar	S1-8532	S1-8532	S1-8646	S1-8646
3B*	Motor Mount Arms (3 Req'd)	S1-8563	S1-8563	S1-8563	S1-8563
3C*	Wire Harness, X13	S1-127038	S1-127038	S1-127038	S1-127038
3D*	Wire Harness, Lo Speed	S1-127039	S1-127039	S1-127039	S1-127039
4	Blower Assembly	S1-110019	S1-110019	S1-110020	S1-110020
5	Blower/Pump Time Delay Relay	S1-8231	S1-8231	S1-8231	S1-8231
6	Heat Sequencer	S1-8232	S1-8232	S1-8232	S1-8232
7	Heater	S1-8239	S1-8239	S1-8239	S1-8239
8	Transformer	S1-8246	S1-8246	S1-8246	S1-8246
9	Circuit Breaker	S1-8273	S1-8273	S1-8273	S1-8273
10	Limit Control - 150 Deg.	S1-ASP8515	S1-ASP8515	S1-ASP8515	S1-ASP8515
11	Upper Door Assembly	S1-121584	S1-121584	S1-121587	S1-121587
12	Lower Solid Door	S1-121595	S1-121595	S1-121596	S1-121596
	Lower Return Door (Perforated)	S1-121085	S1-121085	S1-121088	S1-121088
13	Bottom Brace	S1-121075	S1-121075	S1-121075	S1-121075
14	Bottom Return Block-Off	S1-121076	S1-121076	S1-121077	S1-121077
15	Coil Assembly	S1-129054	S1-129040	S1-129049	S1-129049
16*	Heat Kit (Item #6,7,8,9,10)	S1-EK0605211	S1-EK0605211	S1-EK0605211	S1-EK0605211
17*	TXV	S1-4200	S1-4200	S1-4200	S1-4200
18*	Seal, Circuit Breaker	S1-02435672000	S1-02435672000	S1-02435672000	S1-02435672000
19*	Louvered Access Door Kit	S1-WAD-7L	S1-WAD-7L	S1-WAD-8L	S1-WAD-8L

NOTE: *Not ShownNew replacement parts shown in **bold** face type at the first printing of parts list dated 3/09.

Major components and suggested stocking items are shown with shaded item number.

"←" Across from row indicates a change in that row.

--- Not applicable to specified model.

FIGURE 1: ELECTRIC WALL MOUNTED AIR HANDLER WITH 8KW ELECTRIC HEAT , R- 410A TXV

ITEM	DESCRIPTION	EWXW184T1C08211A	EWXW244T1C08211A	EWXW304T1C08211A	EWXW364T1C08211A
1	Drain Pan	S1-Z46PAN	S1-Z46PAN	S1-Z46PAN	S1-Z46PAN
2	Blower Housing & Wheel	S1-8201	S1-8201	S1-8200	S1-8200
3	Motor	S1-8644	S1-8644	S1-8646	S1-8646
3A*	Motor Mount Collar	S1-8532	S1-8532	S1-8646	S1-8646
3B*	Motor Mount Arms (3 Req'd)	S1-8563	S1-8563	S1-8563	S1-8563
3C*	Wire Harness, X13	S1-127038	S1-127038	S1-127038	S1-127038
3D*	Wire Harness, Lo Speed	S1-127039	S1-127039	S1-127039	S1-127039
4	Blower Assembly	S1-110019	S1-110019	S1-110020	S1-110020
5	Blower/Pump Time Delay Relay	S1-8231	S1-8231	S1-8231	S1-8231
6	Heat Sequencer	S1-8232	S1-8232	S1-8232	S1-8232
7	Heater	S1-8241	S1-8241	S1-8241	S1-8241
8	Transformer	S1-8246	S1-8246	S1-8246	S1-8246
9	Circuit Breaker	S1-8275	S1-8275	S1-8275	S1-8275
10	Limit Control - 150 Deg.	S1-ASP8515	S1-ASP8515	S1-ASP8515	S1-ASP8515
11	Upper Door Assembly	S1-121584	S1-121584	S1-121587	S1-121587
12	Lower Solid Door	S1-121595	S1-121595	S1-121596	S1-121596
	Lower Return Door (Perforated)	S1-121085	S1-121085	S1-121088	S1-121088
13	Bottom Brace	S1-121075	S1-121075	S1-121075	S1-121075
14	Bottom Return Block-Off	S1-121076	S1-121076	S1-121077	S1-121077
15	Coil Assembly	S1-129054	S1-129040	S1-129049	S1-129049
16*	Heat Kit (Item #6,7,8,9,10)	S1-EK0608211	S1-EK0608211	S1-EK0608211	S1-EK0608211
17*	TXV	S1-4200	S1-4200	S1-4200	S1-4200
18*	Seal, Circuit Breaker	S1-02435672000	S1-02435672000	S1-02435672000	S1-02435672000
19*	Louvered Access Door Kit	S1-WAD-7L	S1-WAD-7L	S1-WAD-8L	S1-WAD-8L

FIGURE 1: ELECTRIC WALL MOUNTED AIR HANDLER WITH 10KW ELECTRIC HEAT , R- 410A TXV

ITEM	DESCRIPTION	EWXW184T1C10211A	EWXW244T1108211A	EWXW304T1C10211A	EWXW364T1C10211A
1	Drain Pan	S1-Z46PAN	S1-Z46PAN	S1-Z46PAN	S1-Z46PAN
2	Blower Housing & Wheel	S1-8201	S1-8201	S1-8200	S1-8200
3	Motor	S1-8644	S1-8644	S1-8646	S1-8646
3A*	Motor Mount Collar	S1-8532	S1-8532	S1-8646	S1-8646
3B*	Motor Mount Arms (3 Req'd)	S1-8563	S1-8563	S1-8563	S1-8563
3C*	Wire Harness, X13	S1-127038	S1-127038	S1-127038	S1-127038
3D*	Wire Harness, Lo Speed	S1-127039	S1-127039	S1-127039	S1-127039
4	Blower Assembly	S1-110019	S1-110019	S1-110020	S1-110020
5	Blower/Pump Time Delay Relay	S1-8231	S1-8231	S1-8231	S1-8231
6	Heat Sequencer	S1-8232	S1-8232	S1-8232	S1-8232
7	Heater	S1-8242	S1-8242	S1-8242	S1-8242
8	Transformer	S1-8246	S1-8246	S1-8246	S1-8246
9	Circuit Breaker	S1-8276	S1-8276	S1-8276	S1-8276
10	Limit Control - 150 Deg.	S1-ASP8515	S1-ASP8515	S1-ASP8515	S1-ASP8515
11	Upper Door Assembly	S1-121584	S1-121584	S1-121587	S1-121587
12	Lower Solid Door	S1-121595	S1-121595	S1-121596	S1-121596
	Lower Return Door (Perforated)	S1-121085	S1-121085	S1-121088	S1-121088
13	Bottom Brace	S1-121075	S1-121075	S1-121075	S1-121075
14	Bottom Return Block-Off	S1-121076	S1-121076	S1-121077	S1-121077
15	Coil Assembly	S1-129054	S1-129040	S1-129049	S1-129049
16*	Heat Kit (Item #6,7,8,9,10)	S1-EK0610211	S1-EK0610211	S1-EK0610211	S1-EK0610211
17*	TXV	S1-4200	S1-4200	S1-4200	S1-4200
18*	Seal, Circuit Breaker	S1-02435672000	S1-02435672000	S1-02435672000	S1-02435672000
19*	Louvered Access Door Kit	S1-WAD-7L	S1-WAD-7L	S1-WAD-8L	S1-WAD-8L

NOTE: *Not ShownNew replacement parts shown in **bold** face type at the first printing of parts list dated 3/09.

Major components and suggested stocking items are shown with shaded item number.

"←" Across from row indicates a change in that row.

--- Not applicable to specified model.

TO ORDER AUTHORIZED FACTORY REPLACEMENT PARTS - Contact your Source1 HVAC Parts Distributor or visit our website at **www.Source1Parts.com** for a Distributor and Dealer listing.