



www.Source1Parts.com

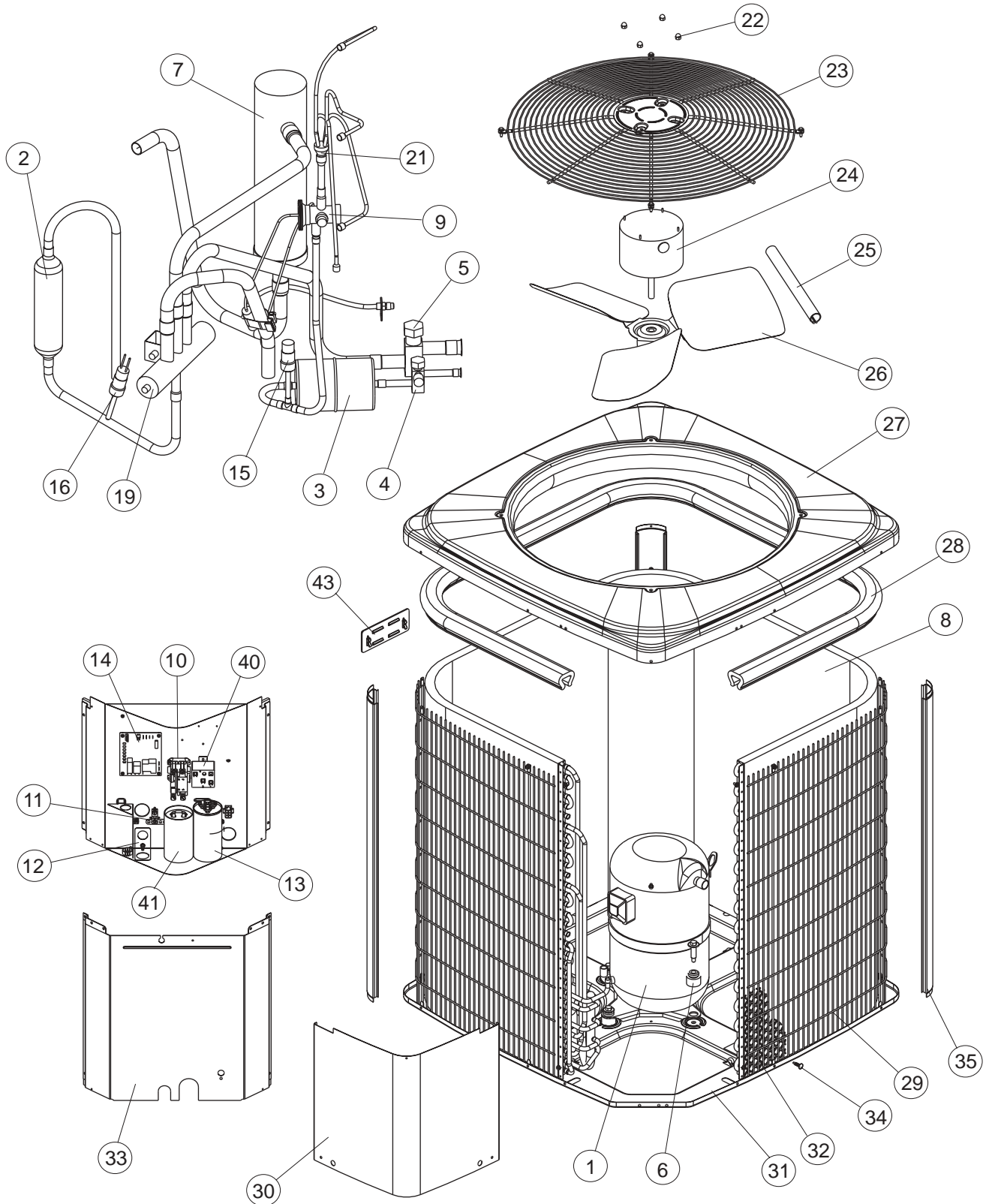
HVAC SERVICE PARTS

CHJD SERIES - FIN & TUBE 13 SEER HEAT PUMP - R-410A 2ND GENERATION (STYLE A)

Supersedes:035-22727-001 Rev. B (0809)

035-22727-001 Rev. C (0610)

1 of 2



ITEM	DESCRIPTION	CHJD18S41S2A	CHJD24S41S2A	CHJD30S41S2A	CHJD36S41S2A	CHJD60S41S2A	<
1	Compressor	S1-01504140004	S1-01503249001	S1-01504077004	S1-01504200004	S1-01503891004	
2	Muffler, Discharge	---	---	---	---	---	
3	Filter Drier	S1-52636219000	S1-52636219000	S1-52636219000	S1-52636219000	S1-52636219000	
4	Base Valve (3/8") (Liquid)	S1-02531899000	S1-02531899000	S1-02531899000	S1-02531899000	S1-02531899000	
5	Base Valve (3/4") (Suction)	S1-02531900000	S1-02531900000	S1-02531900000	S1-02531900000	---	
	Base Valve (7/8") (Suction)	---	---	---	---	S1-02531901000	
6	Compressor Mount (Pkg. of 4)	S1-02810581000	S1-02809519000	S1-02809519000	S1-02809519000	S1-02810581000	
7	Accumulator	S1-02635441000	S1-02634090000	S1-02634090000	S1-02634090000	S1-02625573008	
8	Outdoor Coil Assembly	S1-37327845001	S1-37327845002	S1-37327900001	S1-37327845005	S1-37327847002	
9	Valve, TXV	S1-02541346000	S1-02541345000	S1-02538739036	S1-02538739036	S1-02538739060	
10	Contacteur (30 amp)	S1-02427531000	S1-02427531000	S1-02427531000	S1-02427531000	---	
	Contacteur (40 amp)	---	---	---	---	S1-02425837700	
11	Lug, Ground	S1-02521798000	S1-02521798000	S1-02521798000	S1-02521798000	S1-02521798000	
12	Relief, Strain	S1-02509080000	S1-02509080000	S1-02509080000	S1-02509080000	S1-02509080000	
13	Dual Capacitor (30/7.5 MFD)	S1-02435784000	---	---	---	---	
	Dual Capacitor (35/5 MFD)	---	S1-02425859700	S1-02425859700	---	---	
	Dual Capacitor (40/5 MFD)	---	---	---	S1-02425894700	---	
	Dual Capacitor (70/5 MFD)	---	---	---	---	S1-02435844000	
14	Board, Defrost Control	S1-33101975102	S1-33101975102	S1-33101975102	S1-33101975102	S1-33101975102	
15	Pressure Switch, Low	S1-02541264000	S1-02541264000	S1-02541264000	S1-02541264000	S1-02541264000	
16	Pressure Switch, High	S1-02535359000	S1-02535359000	S1-02535359000	S1-02535359000	S1-02535359000	
17	Sensor, Temperature (Coil)	S1-03101276000	S1-03101276000	S1-03101276000	S1-03101276000	S1-03101276000	
18	Sensor, Temperature (Ambient)	S1-02532701016	S1-02532701016	S1-02532701016	S1-02532701016	S1-02532701016	
19	Valve, Reversing	S1-02538945000	S1-02538945000	S1-02538945000	S1-02538945000	S1-02538947000	
20*	Solenoid Coil, Reversing Valve	S1-02538948000	S1-02538948000	S1-02538948000	S1-02538948000	S1-02538948000	
21	Assembly, Distributor	S1-02538973000	S1-02533424233	S1-02533424235	S1-02533424234	S1-02533424236	
	Assembly, Distributor w/TXV	S1-02541449000	S1-02542662000	S1-02542693000	S1-02542664000	---	
22	Kit, Motor Mounting (Acorn Nuts)	S1-36390117700	S1-36390117700	S1-36390117700	S1-36390117700	S1-36390117700	
23	Guard, Fan	S1-02642586000	S1-02642586000	S1-02642586000	S1-02642586000	S1-02642586000	
24	Motor, Fan	S1-02427584000	S1-02435328000	S1-02435328000	S1-02435819000	S1-02435819000	
25	Wireway	S1-02815864000	S1-02815864000	S1-02815864000	S1-02815864000	S1-02815864000	
26	Blade, Fan	S1-02635436000	S1-02646400000	S1-02646400000	S1-02642434000	S1-02642434000	<
27	Top	S1-07327853001	S1-07327853001	S1-07327853001	S1-07327853001	S1-07327853001	
28	Foam, Outdoor Coil	S1-02815863000	S1-02815863000	S1-02815863000	S1-02815863000	S1-02815869000	
29	Coil Guard, Round Wire	S1-07327859001	S1-07327846009	S1-07327859002	S1-07327859003	S1-07327859003	
30	Cover, Control Box	S1-07327856001	S1-07327856001	S1-07327856001	S1-07327856001	S1-07327856001	
31	Pan, Base	S1-07327844002	S1-07327844002	S1-07327844002	S1-07327844002	S1-07327844002	
32	Coil Guard, Plastic Mesh	S1-02814728000	S1-02815241000	S1-02815240000	S1-02714733000	S1-02814733000	
33	Panel, Blockoff	S1-07327858001	S1-07327836001	S1-07327855001	S1-07327858002	S1-07327858002	
34	Fastener, Push-in (6 Req'd)	S1-02118381000	S1-02118381000	S1-02118381000	S1-02118381000	S1-02118381000	
35	Post, Corner (3 Req'd)	S1-07327835003	S1-07327854001	S1-07327857002	S1-07327857003	S1-07327857003	
36*	Harness, Wire	S1-37326955005	S1-37326955005	S1-37326955005	S1-37326955005	S1-37326955005	
37*	Harness, Reversing Valve	S1-02531923000	S1-02531923000	S1-02531923000	S1-02531923000	S1-02531923000	
38*	Harness, Main Wiring	S1-37320055004	S1-37320055004	S1-37320055004	S1-37320055004	S1-37320055004	
39*	Harness, Compressor	S1-02541088000	S1-02531884000	S1-02531884000	S1-02531884000	S1-02531884000	
40	Relay, Start	---	S1-02425391700	S1-1497-4111	S1-02425035000	---	
41	Capacitor, Start	---	S1-02431993000	S1-02431993000	S1-02425076700	---	
42*	Orifice, Refrigerant (0.051)	S1-02919387021	---	---	---	---	
	Orifice, Refrigerant (0.059)	---	S1-02919387010	---	---	---	
	Orifice, Refrigerant (0.063)	---	---	S1-02919387015	---	---	
	Orifice, Refrigerant (0.071)	---	---	---	S1-02919387029	---	
43	Plate, Bezel	S1-02815487000	S1-02815487000	S1-02815487000	S1-02815487000	S1-02815487000	
44*	Wiring Diagram	331677	331677	331677	331677	331677	

NOTE: *Not Shown
New replacement parts shown in **bold** face type at the first printing of parts list dated 6/10.
Major components and suggested stocking items are shown with shaded item number.
"←" Across from row indicates a change in that row.
--- Not applicable to specified model.

TO ORDER AUTHORIZED FACTORY REPLACEMENT PARTS - Contact your Source1 HVAC Parts Distributor or visit our website at www.Source1Parts.com for a Distributor and Dealer listing.