



www.Source1Parts.com

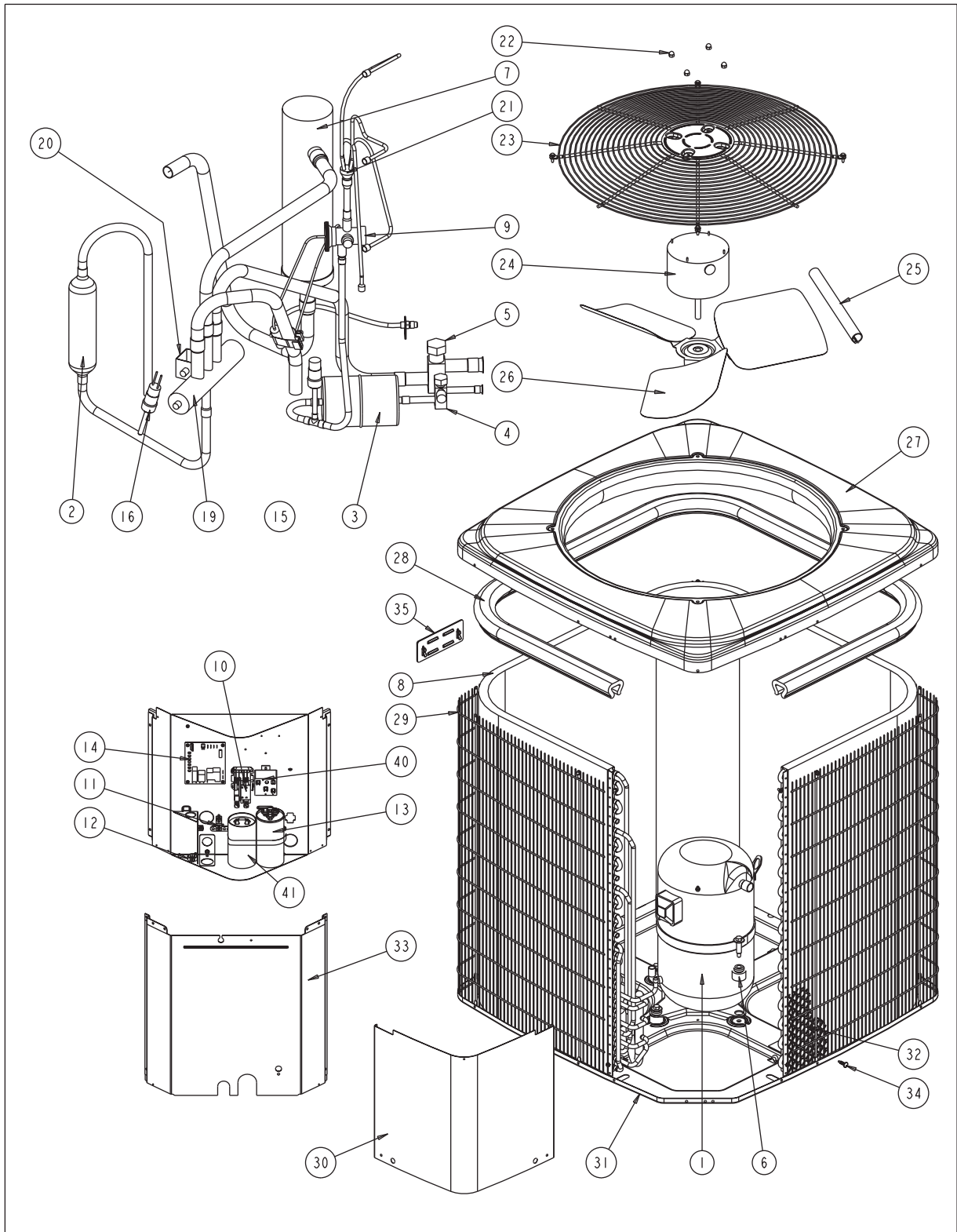
HVAC SERVICE PARTS

# GHGD SERIES - TUBE & FIN 13 SEER HEAT PUMP, R-410A 2ND GENERATON (STYLE A)

Supersedes:035-22728-001 Rev. A (0509)

035-22728-001 Rev. B (0809)

1 of 2



| ITEM | DESCRIPTION                      | GHGD18S41S2A   | GHGD24S41S2A   | GHGD30S41S2A   | GHGD36S41S2A   |
|------|----------------------------------|----------------|----------------|----------------|----------------|
| 1    | Compressor                       | S1-01504140004 | S1-01503249001 | S1-01504077004 | S1-01504200004 |
| 2    | Muffler, Discharge               | ---            | ---            | ---            | ---            |
| 3    | Filter Drier                     | S1-52636219000 | S1-52636219000 | S1-52636219000 | S1-52636219000 |
| 4    | Base Valve (3/8") (Liquid)       | S1-02531899000 | S1-02531899000 | S1-02531899000 | S1-02531899000 |
| 5    | Base Valve (3/4") (Suction)      | S1-02531900000 | S1-02531900000 | S1-02531900000 | S1-02531900000 |
| 6    | Compressor Mount (Pkg. of 4)     | S1-02810581000 | S1-02809519000 | S1-02809519000 | S1-02809519000 |
| 7    | Accumulator                      | S1-02635441000 | S1-02634090000 | S1-02634090000 | S1-02634090000 |
| 8    | Outdoor Coil Assembly            | S1-37327845001 | S1-37327845002 | S1-37327900001 | S1-37327845005 |
| 9    | Valve, TXV                       | S1-02541346000 | S1-02541346000 | S1-02538739036 | S1-02538739036 |
| 10   | Contactora (30 amp)              | S1-02427531000 | S1-02427531000 | S1-02427531000 | S1-02427531000 |
| 11   | Lug, Ground                      | S1-02521798000 | S1-02521798000 | S1-02521798000 | S1-02521798000 |
| 12   | Relief, Strain                   | S1-02509080000 | S1-02509080000 | S1-02509080000 | S1-02509080000 |
| 13   | Dual Capacitor (30/7.5 MFD)      | S1-02435784000 | ---            | ---            | ---            |
|      | Dual Capacitor (35/5 MFD)        | ---            | S1-02425859700 | S1-02425859700 | ---            |
|      | Dual Capacitor (40/5 MFD)        | ---            | ---            | ---            | S1-02425894700 |
| 14   | Board, Defrost Control           | S1-33101975102 | S1-33101975102 | S1-33101975102 | S1-33101975102 |
| 15   | Pressure Switch, Low             | S1-02541264000 | S1-02541264000 | S1-02541264000 | S1-02541264000 |
| 16   | Pressure Switch, High            | S1-02535359000 | S1-02535359000 | S1-02535359000 | S1-02535359000 |
| 17*  | Sensor, Temperature (Coil)       | S1-03101276000 | S1-03101276000 | S1-03101276000 | S1-03101276000 |
| 18*  | Sensor, Temperature (Ambient)    | S1-02532701016 | S1-02532701016 | S1-02532701016 | S1-02532701016 |
| 19   | Valve, Reversing                 | S1-02538945000 | S1-02538945000 | S1-02538945000 | S1-02538945000 |
| 20   | Solenoid Coil, Reversing Valve   | S1-02538948000 | S1-02538948000 | S1-02538948000 | S1-02538948000 |
| 21   | Assembly, Distributor            | S1-02538973000 | S1-02533424233 | S1-02533424235 | S1-02533424234 |
|      | Assembly, Distributor w/TXV      | S1-02541449000 | S1-02542662000 | S1-02542693000 | S1-02542664000 |
| 22   | Kit, Motor Mounting (Acorn Nuts) | S1-36390117700 | S1-36390117700 | S1-36390117700 | S1-36390117700 |
| 23   | Guard, Fan                       | S1-02642587000 | S1-02642587000 | S1-02642587000 | S1-02642587000 |
| 24   | Motor, Fan                       | S1-02427584000 | S1-02435328000 | S1-02435328000 | S1-02435819000 |
| 25   | Wireway                          | S1-02815864000 | S1-02815864000 | S1-02815864000 | S1-02815864000 |
| 26   | Blade, Fan                       | S1-02635436000 | S1-02635436000 | S1-02635436000 | S1-02642434000 |
| 27   | Top                              | S1-07327844001 | S1-07327844001 | S1-07327844001 | S1-07327844001 |
| 28   | Foam, Outdoor Coil               | S1-02815863000 | S1-02815863000 | S1-02815863000 | S1-02815863000 |
| 29   | Guard, Coil                      | S1-07327846001 | S1-07327846002 | S1-07327846003 | S1-07327846004 |
| 30   | Cover, Control Box               | S1-07323895002 | S1-07323895002 | S1-07323895002 | S1-07323895002 |
| 31   | Pan, Base                        | S1-07327844002 | S1-07327844002 | S1-07327844002 | S1-07327844002 |
| 32   | Coil Guard, Plastic Mesh         | S1-02814728000 | S1-02815241000 | S1-02815240000 | S1-02714733000 |
| 33   | Panel, Blockoff                  | S1-07323898001 | S1-07323898002 | S1-07327832003 | S1-07327808001 |
| 34   | Fastener, Push-in (6 Req'd)      | S1-02118381000 | S1-02118381000 | S1-02118381000 | S1-02118381000 |
| 35   | Plate, Bezel                     | S1-02815487000 | S1-02815487000 | S1-02815487000 | S1-02815487000 |
| 36*  | Harness, Wire                    | S1-37326955005 | S1-37326955005 | S1-37326955005 | S1-37326955005 |
| 37*  | Harness, Reversing Valve         | S1-02531923000 | S1-02531923000 | S1-02531923000 | S1-02531923000 |
| 38*  | Harness, Main Wiring             | S1-37320055004 | S1-37320055004 | S1-37320055004 | S1-37320055004 |
| 39*  | Harness, Compressor              | S1-02541088000 | S1-02531884000 | S1-02531884000 | S1-02531884000 |
| 40   | Relay, Start                     | ---            | S1-02425391700 | S1-1497-4111   | S1-02425035000 |
| 41   | Capacitor, Start                 | ---            | S1-02431993000 | S1-02431993000 | S1-02525076700 |
| 42*  | Orifice, Refrigerant (.051)      | S1-02919387021 | ---            | ---            | ---            |
|      | Orifice, Refrigerant (.059)      | ---            | S1-02919387010 | ---            | ---            |
|      | Orifice, Refrigerant (.063)      | ---            | ---            | S1-02919387015 | ---            |
|      | Orifice, Refrigerant (.071)      | ---            | ---            | ---            | S1-02919387029 |
| 42*  | Wiring Diagram                   | 331677         | 331677         | 331677         | 331677         |

**NOTE:** \*Not ShownNew replacement parts shown in **bold** face type at the first printing of parts list dated 8/09.

Major components and suggested stocking items are shown with shaded item number.

"←" Across from row indicates a change in that row.

--- Not applicable to specified model.

**TO ORDER AUTHORIZED FACTORY REPLACEMENT PARTS** - Contact your Source1 HVAC Parts Distributor or visit our website at [www.Source1Parts.com](http://www.Source1Parts.com) for a Distributor and Dealer listing.