



www.Source1Parts.com

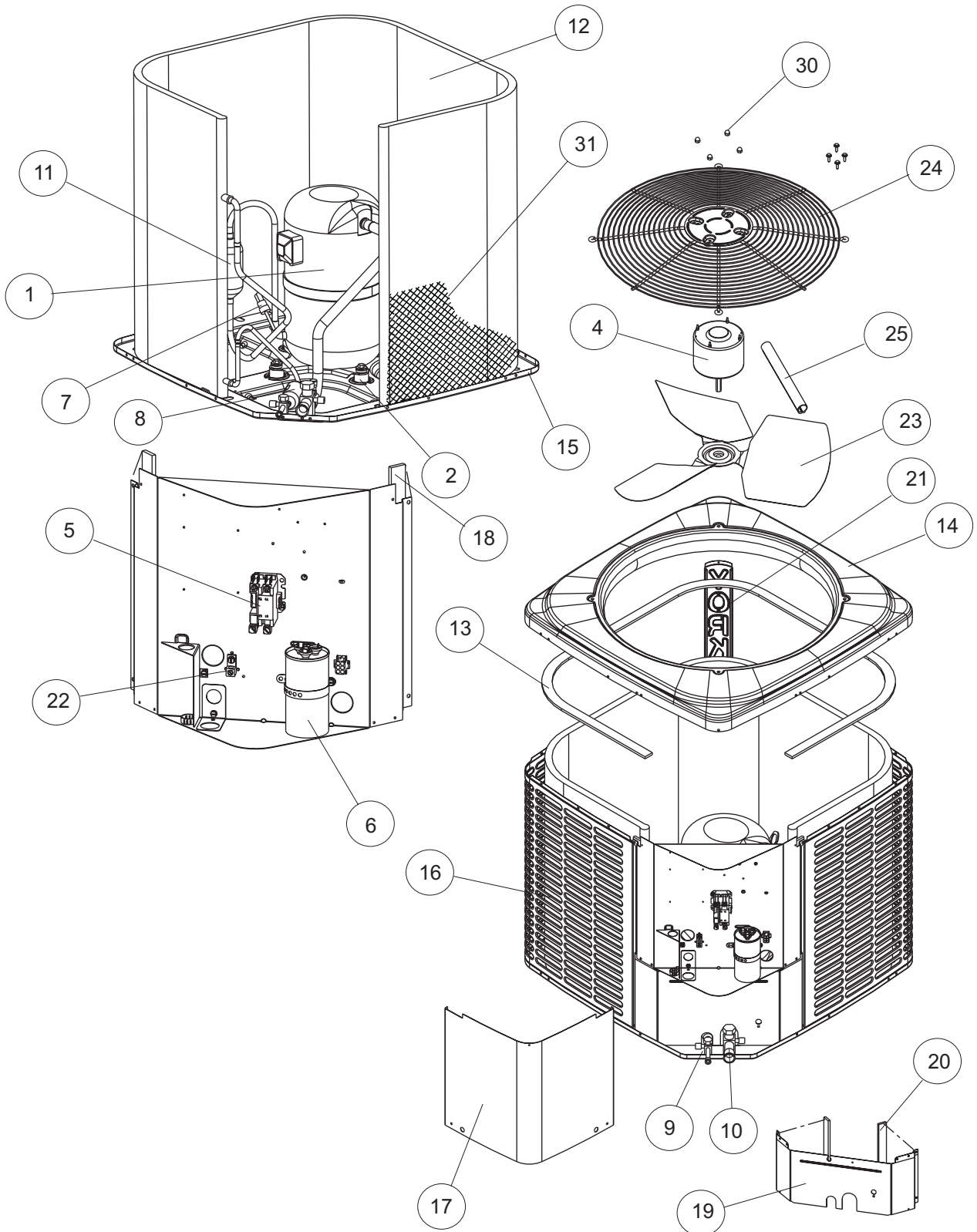
# TCJD SERIES - MICROCHANNEL 13 SEER AIR CONDITIONER - R410A 3 PHASE (STYLE A)

HVAC SERVICE PARTS

Supersedes: Nothing

035-22748-001 Rev. A (0909)

1 of 4



ITEM	DESCRIPTION	TCJD30S43S3A	TCJD36S43S3A	TCJD42S43S3A	TCJD48S43S3A	TCJD60S43S3A
1	Compressor	S1-01504179004	S1-01504180001	S1-01504181001	S1-01504182001	S1-01503595004
2	Compressor Mount (Pkg. of 4)	S1-02809519000	S1-02809519000	S1-02809519000	S1-02809519000	S1-02812355000
3*	Harness, Compressor	S1-02541385000	S1-02541385000	S1-02541385000	S1-02541385000	S1-02541385000
4	Motor, Fan	S1-02426020700	S1-02435819000	S1-02435819000	S1-02435819000	S1-02435819000
5	Contactora (30 amp)	S1-02425842700	S1-02425842700	S1-02425842700	S1-02425842700	S1-02425842700
6	Run Capacitor (5 MFD)	S1-02420043700	S1-02420043700	S1-02420043700	S1-02420043700	S1-02420043700
7	Pressure Switch (High)	S1-02535359000	S1-02535359000	S1-02535359000	S1-02535359000	S1-02535359000
8	Filter Drier	S1-02922195000	S1-02922195000	S1-02922195000	S1-02922195000	S1-02922195000
9	Base Valve (3/8") (Liquid)	S1-02531899000	S1-02531899000	S1-02531899000	S1-02531899000	S1-02531899000
10	Base Valve (3/4") (Suction)	S1-02531900000	S1-02531900000	---	---	---
	Base Valve (7/8") (Suction)	---	---	S1-02531910000	S1-02531910000	S1-02531910000
11	Muffler	---	---	S1-02539847000	S1-02539847000	---
12	Outdoor Coil Assembly	S1-37327820001	S1-37327820002	S1-37327820003	S1-37327820003	S1-37327851001
13	Foam, Outdoor Coil	S1-02815508000	S1-02815508000	S1-02815509000	S1-02815509000	S1-02815863000
14	Top	S1-07327834001	S1-07327834002	S1-07327834002	S1-07327834002	S1-07327853001
15	Pan, Base	S1-07323894001	S1-07323894002	S1-07323894002	S1-07323894002	S1-07327844002
16	Guard Coil, Panel (2 Req'd)	<b>S1-07327906001</b>	<b>S1-07327906002</b>	<b>S1-07327906003</b>	<b>S1-07327906003</b>	<b>S1-07327906005</b>
17	Cover, Control Box	S1-07327837001	S1-07327837001	S1-07327837001	S1-07327837001	S1-07327837001
18	Foam Strips, Control Box (2 Req'd)	S1-02815490000	S1-02815490000	S1-02815490000	S1-02815490000	S1-02815490000
19	Panel, Block-off	S1-07327836001	S1-07327836001	S1-07327836002	S1-07327836002	S1-07327855001
20	Foam Strips, Block-off (2 Req'd)	S1-02815493000	S1-02815493000	S1-02815494000	S1-02815494000	S1-02815522000
21	Post, Corner	S1-07327835003	S1-07327835003	S1-07327835004	S1-07327835004	S1-07327854001
22	Lug, Ground	S1-02521798000	S1-02521798000	S1-02521798000	S1-02521798000	S1-02521798000
23	Blade, Fan	S1-02642444000	S1-02634094000	S1-026424910000	S1-026424910000	S1-02631361000
24	Guard, Fan	S1-02642483000	S1-02643487000	S1-02642487000	S1-02642487000	S1-02642586000
25	Wireway	S1-02815877000	S1-02815873000	S1-02815873000	S1-02815873000	S1-02815864000
26						
27						
28						
29*	Plate, Bezel	<b>S1-02815899000</b>	<b>S1-02815899000</b>	<b>S1-02815899000</b>	<b>S1-02815899000</b>	<b>S1-02815899000</b>
30	Kit, Motor Mounting (Acorn Nuts)	S1-36390117700	S1-36390117700	S1-36390117700	S1-36390117700	S1-36390117700
31	Coil Guard, Plastic Mesh	S1-02642492000	S1-02642547000	S1-02642546000	S1-02642546000	S1-02815868000
32*	Fasteners, Push-in (4 Req'd)	S1-02118381000	S1-02118381000	S1-02118381000	S1-02118381000	S1-02118381000
33*	Coil Mount, Rubber (6 Req'd)	S1-02815500000	S1-02815500000	S1-02815500000	S1-02815500000	S1-02815500000
34*	Orifice (.061)	S1-02919387003	---	---	---	---
	Orifice (.065)	---	S1-02919387011	---	---	---
	Orifice (.075)	---	---	S1-02919387017	---	---
	Orifice (.073)	---	---	---	S1-02919387005	---
	Orifice (.087)	---	---	---	---	S1-02919387007
35*	Harness, Main Wiring	S1-37320055004	S1-37320055004	S1-37320055004	S1-37320055004	S1-37320055004
36*	Wiring Diagram	412217	412217	412217	412217	412217

**NOTE:** \*Not Shown  
 New replacement parts shown in **bold** face type at the first printing of parts list dated 9/09.  
 Major components and suggested stocking items are shown with shaded item number.  
 "<" Across from row indicates a change in that row.  
 --- Not applicable to specified model.



ITEM	DESCRIPTION	TCJD30S44S3A	TCJD36S44S3A	TCJD42S44S3A	TCJD48S44S3A	TCJD60S44S3A	<
1	Compressor	S1-01504183004	S1-01504184001	S1-01504185001	S1-01504186001	S1-01503677004	
2	Compressor Mount (Pkg. of 4)	S1-02809519000	S1-02809519000	S1-02809519000	S1-02809519000	S1-02812355000	
3*	Harness, Compressor	S1-02541385000	S1-02541385000	S1-02541385000	S1-02541385000	S1-02541385000	
4	Motor, Fan	S1-02427532000	S1-02427534000	S1-02427534000	S1-02427534000	S1-02427534000	
5	Contactora (30 amp)	S1-02425842700	S1-02425842700	S1-02425842700	S1-02425842700	S1-02425842700	
6	Run Capacitor (5 MFD)	S1-02420043700	S1-02420043700	S1-02420043700	S1-02420043700	S1-02420043700	
7	Pressure Switch (High)	S1-02535359000	S1-02535359000	S1-02535359000	S1-02535359000	S1-02535359000	
8	Filter Drier	S1-02922195000	S1-02922195000	S1-02922195000	S1-02922195000	S1-02922195000	
9	Base Valve (3/8") (Liquid)	S1-02531899000	S1-02531899000	S1-02531899000	S1-02531899000	S1-02531899000	
10	Base Valve (3/4") (Suction)	S1-02531900000	S1-02531900000	---	---	---	
	Base Valve (7/8") (Suction)	---	---	S1-02531910000	S1-02531910000	S1-02531910000	
11	Muffler	---	---	S1-02539847000	S1-02539847000	---	
12	Outdoor Coil Assembly	S1-37327820001	S1-37327820002	S1-37327820003	S1-37327820003	S1-37327851001	
13	Foam, Outdoor Coil	S1-02815508000	S1-02815508000	S1-02815509000	S1-02815509000	S1-02815863000	
14	Top	S1-07327834001	S1-07327834002	S1-07327834002	S1-07327834002	S1-07327853001	
15	Pan, Base	S1-07323894001	S1-07323894002	S1-07323894002	S1-07323894002	S1-07327844002	
16	Guard Coil, Panel (2 Req'd)	<b>S1-07327906001</b>	<b>S1-07327906002</b>	<b>S1-07327906003</b>	<b>S1-07327906003</b>	<b>S1-07327906005</b>	
17	Cover, Control Box	S1-07327837001	S1-07327837001	S1-07327837001	S1-07327837001	S1-07327837001	
18	Foam Strips, Control Box (2 Req'd)	S1-02815490000	S1-02815490000	S1-02815490000	S1-02815490000	S1-02815490000	
19	Panel, Block-off	S1-07327836001	S1-07327836001	S1-07327836002	S1-07327836002	S1-07327855001	
20	Foam Strips, Block-off (2 Req'd)	S1-02815493000	S1-02815493000	S1-02815494000	S1-02815494000	S1-02815522000	
21	Post, Corner	S1-07327835003	S1-07327835003	S1-07327835004	S1-07327835004	S1-07327854001	
22	Lug, Ground	S1-02521798000	S1-02521798000	S1-02521798000	S1-02521798000	S1-02521798000	
23	Blade, Fan	S1-02642444000	S1-02634094000	S1-026424910000	S1-026424910000	S1-02631361000	
24	Guard, Fan	S1-02642483000	S1-02643487000	S1-02642487000	S1-02642487000	S1-02642586000	
25	Wireway	S1-02815877000	S1-02815873000	S1-02815873000	S1-02815873000	S1-02815864000	
26							
27							
28							
29*	Plate, Bezel	<b>S1-02815899000</b>	<b>S1-02815899000</b>	<b>S1-02815899000</b>	<b>S1-02815899000</b>	<b>S1-02815899000</b>	
30	Kit, Motor Mounting (Acorn Nuts)	S1-36390117700	S1-36390117700	S1-36390117700	S1-36390117700	S1-36390117700	
31	Coil Guard, Plastic Mesh	S1-02642492000	S1-02642547000	S1-02642546000	S1-02642546000	S1-02815868000	
32*	Fasteners, Push-in (4 Req'd)	S1-02118381000	S1-02118381000	S1-02118381000	S1-02118381000	S1-02118381000	
33*	Coil Mount, Rubber (6 Req'd)	S1-02815500000	S1-02815500000	S1-02815500000	S1-02815500000	S1-02815500000	
34*	Orifice (.061)	S1-02919387003	---	---	---	---	
	Orifice (.065)	---	S1-02919387011	---	---	---	
	Orifice (.075)	---	---	S1-02919387017	---	---	
	Orifice (.073)	---	---	---	S1-02919387005	---	
	Orifice (.087)	---	---	---	---	---	S1-02919387007
35*	Harness, Main Wiring	S1-37320055004	S1-37320055004	S1-37320055004	S1-37320055004	S1-37320055004	
36*	Wiring Diagram	412217	412217	412217	412217	412217	

**NOTE:** \*Not ShownNew replacement parts shown in **bold** face type at the first printing of parts list dated 9/09.

Major components and suggested stocking items are shown with shaded item number.

"←" Across from row indicates a change in that row.

--- Not applicable to specified model.

**TO ORDER AUTHORIZED FACTORY REPLACEMENT PARTS** - Contact your Source1 HVAC Parts Distributor or visit our website at [www.Source1Parts.com](http://www.Source1Parts.com) for a Distributor and Dealer listing.