



www.Source1Parts.com

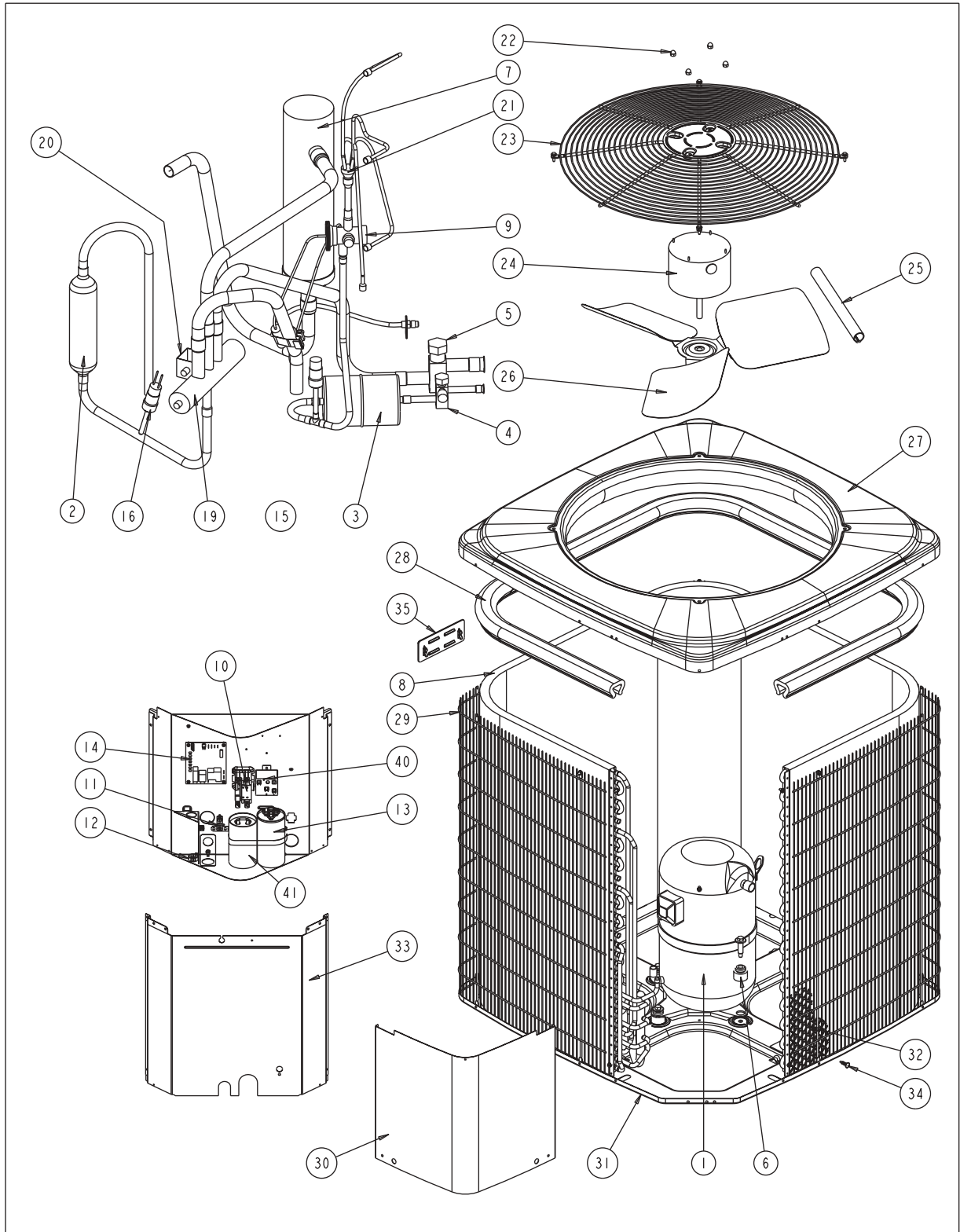
HVAC SERVICE PARTS

THGD SERIES - TUBE & FIN 13 SEER HEAT PUMP - R410A 3RD GENERATION (STYLE A)

Supersedes:035-22780-001 Rev. A (0909)

035-22780-001 Rev. B (0610)

1 of 4



ITEM	DESCRIPTION	THGD18S41S3A	THGD24S41S3A	THGD30S41S3A	THGD36S41S3A
1	Compressor	S1-01504140004	S1-01504124001	S1-01504077004	S1-01504200004
2	Muffler, Discharge	---	---	---	---
3	Filter Drier	S1-52636219000	S1-52636219000	S1-52636219000	S1-52636219000
4	Base Valve (3/8") (Liquid)	S1-02531899000	S1-02531899000	S1-02531899000	S1-02531899000
5	Base Valve (3/4") (Suction)	S1-02531900000	S1-02531900000	S1-02531900000	S1-02531900000
6	Compressor Mount (Pkg. of 4)	S1-02810581000	S1-02809519000	S1-02809519000	S1-02809519000
7	Accumulator	S1-02635441000	S1-02634090000	S1-02634090000	S1-02634090000
8	Outdoor Coil Assembly	S1-37327845001	S1-37327845002	S1-37327900001	S1-37327845005
9	Valve, TXV	S1-02541346000	S1-02541346000	S1-02538739036	S1-02538739036
10	Contactora (30 amp)	S1-02427531000	S1-02427531000	S1-02427531000	S1-02427531000
11	Lug, Ground	S1-02521798000	S1-02521798000	S1-02521798000	S1-02521798000
12	Relief, Strain	S1-02509080000	S1-02509080000	S1-02509080000	S1-02509080000
13	Dual Capacitor (30/7.5 MFD)	S1-02435784000	---	---	---
	Dual Capacitor (35/5 MFD)	---	S1-02425859700	S1-02425859700	---
	Dual Capacitor (40/5 MFD)	---	---	---	S1-02425894700
14	Board, Defrost Control	S1-33101975102	S1-33101975102	S1-33101975102	S1-33101975102
15	Pressure Switch, Low	S1-02541264000	S1-02541264000	S1-02541264000	S1-02541264000
16	Pressure Switch, High	S1-02535359000	S1-02535359000	S1-02535359000	S1-02535359000
17*	Sensor, Temperature (Coil)	S1-03101276000	S1-03101276000	S1-03101276000	S1-03101276000
18*	Sensor, Temperature (Ambient)	S1-02532701016	S1-02532701016	S1-02532701016	S1-02532701016
19	Valve, Reversing	S1-02538945000	S1-02538945000	S1-02538945000	S1-02538945000
20	Solenoid Coil, Reversing Valve	S1-02538948000	S1-02538948000	S1-02538948000	S1-02538948000
21	Assembly, Distributor	S1-02538973000	S1-02533424233	S1-02533424235	S1-02533424234
	Assembly, Distributor (w/TXV)	S1-02541449000	S1-02542662000	S1-02542693000	S1-02542664000
22	Kit, Motor Mounting (Acorn Nuts)	S1-36390117700	S1-36390117700	S1-36390117700	S1-36390117700
23	Guard, Fan	S1-02642586000	S1-02642586000	S1-02642586000	S1-02642586000
24	Motor, Fan	S1-02427584000	S1-02435328000	S1-02435328000	S1-02435819000
25	Wireway	S1-02815864000	S1-02815864000	S1-02815864000	S1-02815864000
26	Blade, Fan	S1-02635436000	S1-02646400000	S1-02646400000	S1-02642434000
27	Top	S1-07327844001	S1-07327844001	S1-07327844001	S1-07327844001
28	Foam, Outdoor Coil	S1-02815863000	S1-02815863000	S1-02815863000	S1-02815863000
29	Guard, Coil	S1-07327910001	S1-07327903001	S1-07327903002	S1-07327903003
30	Cover, Control Box	S1-07323895002	S1-07323895002	S1-07323895002	S1-07323895002
31	Pan, Base	S1-07327844002	S1-07327844002	S1-07327844002	S1-07327844002
32	Coil Guard, Plastic Mesh	S1-02814728000	S1-02815241000	S1-02815240000	S1-02714733000
33	Panel, Blockoff	S1-07323898001	S1-07323898002	S1-07327832003	S1-07327808001
34	Fastener, Push-in (6 Req'd)	S1-02118381000	S1-02118381000	S1-02118381000	S1-02118381000
35	Plate, Bezel	S1-02815487000	S1-02815487000	S1-02815487000	S1-02815487000
36*	Harness, Wire	S1-37326955005	S1-37326955005	S1-37326955005	S1-37326955005
37*	Harness, Reversing Valve	S1-02531923000	S1-02531923000	S1-02531923000	S1-02531923000
38*	Harness, Main Wiring	S1-37320055004	S1-37320055004	S1-37320055004	S1-37320055004
39*	Harness, Compressor	S1-02541088000	S1-02531884000	S1-02531884000	S1-02531884000
40	Relay, Start	---	S1-02425391700	S1-1497-4111	S1-02425035000
41	Capacitor, Start	---	S1-02431993000	S1-02431993000	S1-02425076700
42*	Orifice, Refrigerant (0.051)	S1-02919387021	---	---	---
	Orifice, Refrigerant (0.059)	---	S1-02919387010	---	---
	Orifice, Refrigerant (0.063)	---	---	S1-02919387015	---
	Orifice, Refrigerant (0.071)	---	---	---	S1-02919387029
43*	Wiring Diagram	331677	331677	331677	331677

<

NOTE: *Not Shown

New replacement parts shown in **bold** face type at the first printing of parts list dated 6/10.
Major components and suggested stocking items are shown with shaded item number.

"<" Across from row indicates a change in that row.

--- Not applicable to specified model.

ITEM	DESCRIPTION	THGD42S41S3A	THGD48S41S3A	THGD60S41S3A
1	Compressor	S1-01503592004	S1-01503594004	S1-01503891004
2	Muffler, Discharge	---	---	---
3	Filter Drier	S1-52636219000	S1-52636219000	S1-52636219000
4	Base Valve (3/8") (Liquid)	S1-02531899000	S1-02531899000	S1-02531899000
5	Base Valve (7/8") (Suction)	S1-02531901000	S1-02531901000	S1-02531901000
6	Compressor Mount (Pkg. of 4)	S1-02810581000	S1-02810581000	S1-02810581000
7	Accumulator	S1-02634090000	S1-02625573008	S1-02625573008
8	Outdoor Coil Assembly	S1-37327847003	S1-37327847002	S1-37327847002
9	Valve, TXV	S1-02538739036	S1-02538739042	S1-02538739060
10	Contactora (30 amp)	S1-02427531000	S1-02427531000	---
	Contactora (40 amp)	---	---	S1-02425837700
11	Lug, Ground	S1-02521798000	S1-02521798000	S1-02521798000
12	Relief, Strain	S1-02509080000	S1-02509080000	S1-02509080000
13	Dual Capacitor (55/5 MFD)	S1-02425049700	---	---
	Dual Capacitor (70/5 MFD)	---	S1-02427616000	S1-02427616000
14	Board, Defrost Control	S1-33101975102	S1-33101975102	S1-33101975102
15	Pressure Switch, Low	S1-02541264000	S1-02541264000	S1-02541264000
16	Pressure Switch, High	S1-02535359000	S1-02535359000	S1-02535359000
17*	Sensor, Temperature (Coil)	S1-03101276000	S1-03101276000	S1-03101276000
18*	Sensor, Temperature (Ambient)	S1-02532701016	S1-02532701016	S1-02532701016
19	Valve, Reversing	S1-02538946000	S1-02538947000	S1-02538947000
20	Solenoid Coil, Reversing Valve	S1-02538948000	S1-02538948000	S1-02538948000
21	Assembly, Distributor	S1-02533424234	S1-02533424236	S1-02533424236
22	Kit, Motor Mounting (Acorn Nuts)	S1-36390117700	S1-36390117700	S1-36390117700
23	Guard, Fan	S1-02642586000	S1-02642586000	S1-02642586000
24	Motor, Fan	S1-02435819000	S1-02435819000	S1-02435819000
25	Wireway	S1-02815864000	S1-02815864000	S1-02815864000
26	Blade, Fan	S1-02642434000	S1-02642434000	S1-02642434000
27	Top	S1-07327844001	S1-07327844001	S1-07327844001
28	Foam, Outdoor Coil	S1-02815863000	S1-02815869000	S1-02815869000
29	Guard, Coil	S1-07327903003	S1-07327903003	S1-07327903003
30	Cover, Control Box	S1-07323895002	S1-07323895002	S1-07323895002
31	Pan, Base	S1-07327844002	S1-07327844002	S1-07327844002
32	Coil Guard, Plastic Mesh	S1-02714733000	S1-02714733000	S1-02714733000
33	Panel, Blockoff	S1-07327808001	S1-07327808001	S1-07327808001
34	Fastener, Push-in (6 Req'd)	S1-02118381000	S1-02118381000	S1-02118381000
35	Plate, Bezel	S1-02815487000	S1-02815487000	S1-02815487000
36*	Harness, Wire	S1-37326955005	S1-37326955005	S1-37326955005
37*	Harness, Reversing Valve	S1-02531923000	S1-02531923000	S1-02531923000
38*	Harness, Main Wiring	S1-37320055004	S1-37320055004	S1-37320055004
39*	Harness, Compressor	S1-02531884000	S1-02531884000	S1-02531884000
40	Relay, Start	---	---	---
41	Capacitor, Start	---	---	---
42*	Switch, HighTemperature	---	---	---
43*	Wiring Diagram	331677	331677	331677

NOTE: *Not ShownNew replacement parts shown in **bold** face type at the first printing of parts list dated 6/10.

Major components and suggested stocking items are shown with shaded item number.

"←" Across from row indicates a change in that row.

--- Not applicable to specified model.



TO ORDER AUTHORIZED FACTORY REPLACEMENT PARTS - Contact your Source1 HVAC Parts Distributor or visit our website at **www.Source1Parts.com** for a Distributor and Dealer listing.

Subject to change without notice. Published in U.S.A.
Copyright © 2010 by Johnson Controls, Inc. All rights reserved.

035-22780-001 Rev. B (0610)
Supersedes: 035-22780-001 Rev. A (0909)

Johnson Controls Unitary Products
5005 York Drive
Norman, OK 73069