

# REPAIR PART KIT INSTALLATION MANUAL

## PRESSURE SWITCH/ MAIN WIRING HARNESS CONVERSION FOR USE WITH MODELS: TM9T, TM9V SERIES FURNACES

### GENERAL INFORMATION

This instruction document covers installation of a new pressure switch or main wiring harness on TM9T and TM9V two-stage 33" gas furnaces. To eliminate the possibility of miswiring the pressure switch a design change was introduced on 8/26/2009. Only new dual pressure switches and new main harnesses are available as service parts. These service kits will allow the conversion of furnaces manufactured prior to the design change to use the new components.

### IMPORTANT

*Units produced before the design change will have the high pressure switch (0.90) located between pressure switches (0.45) and (0.20). Units produced after the design change, the (0.90) and the (0.45) pressure switches will be reversed. See Figure 1.*

### To replace the dual pressure switch on units built prior to the design change.

1. See the **IMPORTANT** note before starting.
2. Note position of wires and hoses before removing them from the switches.
3. Remove the one screw that attaches the dual pressure switch to the combustion inducer and remove the pressure switch assembly.
4. Install the new dual pressure switch assembly.
5. Attach all hoses as originally installed at the factory.
6. Connect the orange wire to the inner most terminal and the double black wire to the outer most terminal of the (0.90) pressure switch.
7. Connect the white wire to the inner most terminal of the (0.45) pressure switch. Connect the orange with black stripe wire to outer most terminal of the (0.45) pressure switch using one of the 3" long white jumper wires supplied in this kit.

### To replace the main wiring harness on units built prior to the design change:

1. See the **IMPORTANT** note before starting.
2. Disconnect the old wire harness noting all connections.
3. Install the new wiring harness identical to the existing harness except for the dual pressure switch.
4. Wire the dual pressure switch as in steps 5 and 6 below.
5. Connect the orange wire to the inner most terminal of the (0.90) pressure switch using one of the 3" long white jumper wires supplied in this kit. Connect the double black wire to the outer terminal of the (0.90) pressure switch.
6. Connect the orange with black strip wire to the outer terminal of the (0.45) pressure switch. Connect the white wire to the inner most terminal of the (0.45) pressure switch using one of the 3" white jumper wires supplied with this kit.

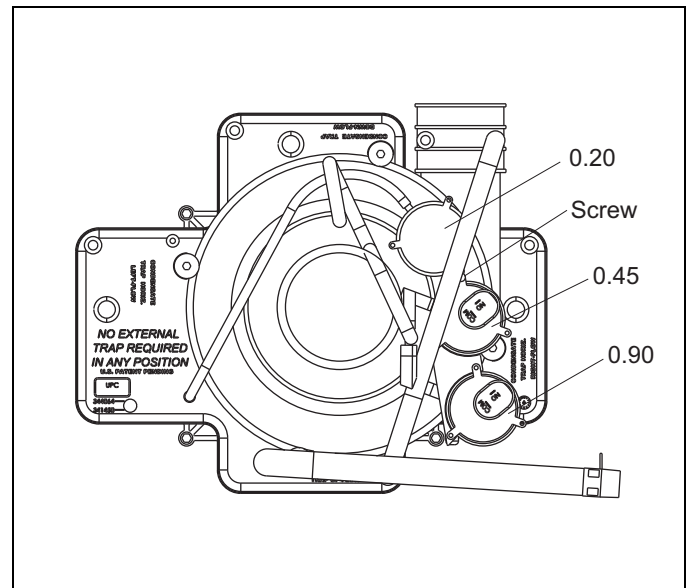


FIGURE 1: Pressure Switch Location, New Design