



www.Source1Parts.com

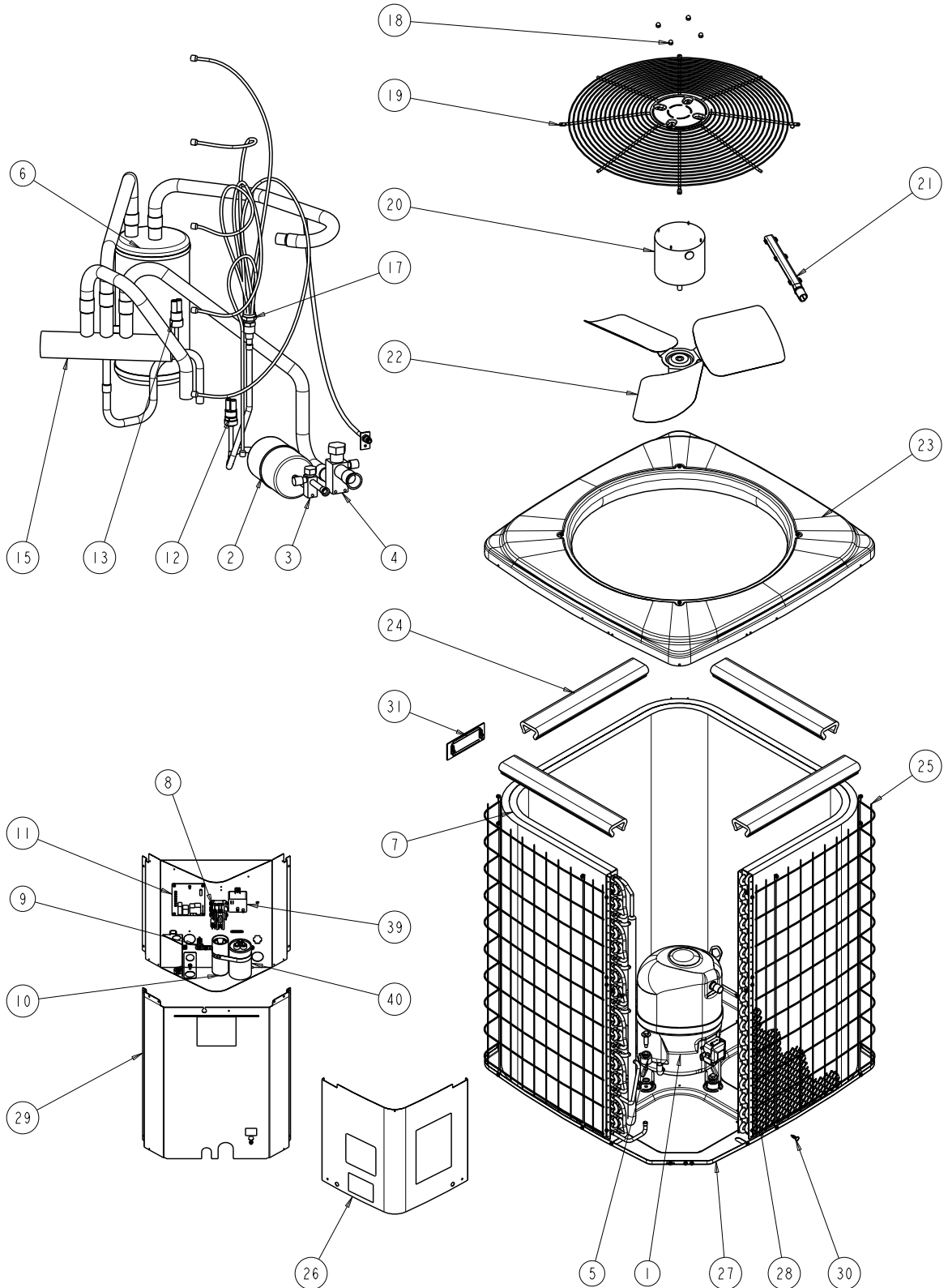
HVAC SERVICE PARTS

THGD SERIES - TUBE & FIN 13 SEER HEAT PUMP, R-410A 4TH GENERATION (STYLE A)

Supersedes:035-22804-001 Rev. B (0310)

035-22804-001 Rev. C (0610)

1 of 4



ITEM	DESCRIPTION	THGD24S41S4A	THGD30S41S4A	THGD36S41S4A
1	Compressor	S1-01504289001	S1-01504077004	S1-01504200004
2	Filter Drier	S1-52636219000	S1-52636219000	S1-52636219000
3	Base Valve (3/8") (Liquid)	S1-02531899000	S1-02531899000	S1-02531899000
4	Base Valve (3/4") (Suction)	S1-02531900000	S1-02531900000	S1-02531900000
5	Compressor Mount (Pkg. of 4)	S1-02809519000	S1-02809519000	S1-02809519000
6	Accumulator	S1-02635441000	S1-02634090000	S1-02634090000
7	Outdoor Coil Assembly	S1-37327845002	S1-37327917001	S1-37327845005
8	Contactora (30 amp)	S1-02427531000	S1-02427531000	S1-02427531000
9	Lug, Ground	S1-02521798000	S1-02521798000	S1-02521798000
10	Dual Capacitor (35/5 MFD)	S1-02425859700	S1-02425859700	---
	Dual Capacitor (40/5 MFD)	---	---	S1-02425894700
11	Board, Defrost Control	S1-03101954000	S1-03101954000	S1-03101954000
12	Pressure Switch, Low	S1-02541264000	S1-02541264000	S1-02541264000
13	Pressure Switch, High	S1-02535359000	S1-02535359000	S1-02535359000
14*	Sensor, Temperature (Coil)	S1-02543293000	S1-02543293000	S1-02543293000
15	Valve, Reversing	S1-02538945000	S1-02538945000	S1-02538945000
16*	Solenoid Coil, Reversing Valve	S1-02538948000	S1-02538948000	S1-02538948000
17	Assembly, Distributor	S1-02211561000	S1-02211560000	S1-02211559000
18	Kit, Motor Mounting (Acorn Nuts)	S1-36390117700	S1-36390117700	S1-36390117700
19	Guard, Fan	S1-02642586000	S1-02642586000	S1-02642586000
20	Motor, Fan	S1-02435328000	S1-02435819000	S1-02435819000
21	Wireway	S1-02815864000	S1-02815864000	S1-02815864000
22	Blade, Fan	S1-02646400000	S1-02642434000	S1-02642434000
23	Top	S1-07327844001	S1-07327844001	S1-07327844001
24	Foam, Outdoor Coil	S1-02815863000	S1-02815863000	S1-02815863000
25	Guard, Coil	S1-07327903001	S1-07327903002	S1-07327903003
26	Cover, Control Box	S1-07323895002	S1-07323895002	S1-07323895002
27	Pan, Base	S1-07327844002	S1-07327844002	S1-07327844002
28	Coil Guard, Plastic Mesh	S1-02815241000	S1-02815240000	S1-02814733000
29	Panel, Blockoff	S1-07323898002	S1-07327832003	S1-07327808001
30	Fastener, Push-in (6 Req'd)	S1-02118381000	S1-02118381000	S1-02118381000
31	Plate, Bezel	S1-02815487000	S1-02815487000	S1-02815487000
32*	Harness, Wire (12 Pin)	S1-37326955005	S1-37326955005	S1-37326955005
33*	Harness, Reversing Valve	S1-02531923000	S1-02531923000	S1-02531923000
34*	Harness, Main Wiring	S1-37320055004	S1-37320055004	S1-37320055004
35*	Harness, Compressor	S1-02531884000	S1-02531884000	S1-02531884000
36*	Harness, Wire (3 Wire)	S1-37326955004	S1-37326955004	S1-37326955004
37*	Orifice, Refrigerant (0.054)	S1-02919387036	---	---
	Orifice, Refrigerant (0.063)	---	S1-02919387015	---
	Orifice, Refrigerant (0.071)	---	---	S1-02919387029
38*	Wiring Diagram	544123	544123	544123
39	Relay, Start	---	---	---
40	Capactor, Start	---	---	---

<

NOTE: *Not Shown
 New replacement parts shown in **bold** face type at the first printing of parts list dated 6/10.
 Major components and suggested stocking items are shown with shaded item number.
 "<" Across from row indicates a change in that row.
 --- Not applicable to specified model.



ITEM	DESCRIPTION	THGD42S41S4A	THGD48S41S4A	THGD60S41S4A
1	Compressor	S1-01504199004	S1-01504313001	S1-01504309004
2	Filter Drier	S1-52636219000	S1-52636219000	S1-52636219000
3	Base Valve (3/8") (Liquid)	S1-02531899000	S1-02531899000	S1-02531899000
4	Base Valve (7/8") (Suction)	S1-02531901000	S1-02543571000	S1-02531901000
5	Compressor Mount (Pkg. of 4)	S1-02809519000	S1-02809519000	S1-02810581000
6	Accumulator	S1-02634090000	S1-02625573008	S1-02625573008
7	Outdoor Coil Assembly	S1-37327847003	S1-37327917002	S1-37327917002
8	Contact (30 amp)	S1-02427531000	S1-02427531000	S1-02427531000
9	Lug, Ground	S1-02521798000	S1-02521798000	S1-02521798000
10	Dual Capacitor (45/5 MFD)	S1-02425120700	---	---
	Dual Capacitor (40/5 MFD)	---	S1-02425893700	---
	Dual Capacitor (70/5 MFD)	---	---	S1-02435844000
11	Board, Defrost Control	S1-03101954000	S1-03101954000	S1-03101954000
12	Pressure Switch, Low	S1-02541264000	S1-02541264000	S1-02541264000
13	Pressure Switch, High	S1-02535359000	S1-02535359000	S1-02535359000
14*	Sensor, Temperature (Coil)	S1-02543293000	S1-02543293000	S1-02543293000
15	Valve, Reversing	S1-02538946000	S1-02538947000	S1-02538947000
16*	Solenoid Coil, Reversing Valve	S1-02538948000	S1-02538948000	S1-02538948000
17	Assembly, Distributor	S1-02211563000	S1-02211564000	S1-02211562000
18	Kit, Motor Mounting (Acorn Nuts)	S1-36390117700	S1-36390117700	S1-36390117700
19	Guard, Fan	S1-02642586000	S1-02642586000	S1-02642586000
20	Motor, Fan	S1-02435819000	S1-02435819000	S1-02435819000
21	Wireway	S1-02815864000	S1-02815864000	S1-02815864000
22	Blade, Fan	S1-02642434000	S1-02642434000	S1-02642434000
23	Top	S1-07327844001	S1-07327844001	S1-07327844001
24	Foam, Outdoor Coil (1 Req'd)	S1-02815863000	---	---
	Foam, Outdoor Coil (4 Req'd)	---	S1-02815869000	S1-02815869000
25	Guard, Coil	S1-07327903003	S1-07327903003	S1-07327903003
26	Cover, Control Box	S1-07323895002	S1-07323895002	S1-07323895002
27	Pan, Base	S1-07327844002	S1-07327844002	S1-07327844002
28	Coil Guard, Plastic Mesh	S1-0284733000	S1-02814733000	S1-02814733000
29	Panel, Blockoff	S1-07327808001	S1-07327808001	S1-07327808001
30*	Fastener, Push-in (6 Req'd)	S1-02118381000	S1-02118381000	S1-02118381000
31	Plate, Bezel	S1-02815487000	S1-02815487000	S1-02815487000
32*	Harness, Wire (12 Pln)	S1-37326955005	S1-37326955005	S1-37326955005
33*	Harness, Reversing Valve	S1-02531923000	S1-02531923000	S1-02531923000
34*	Harness, Main Wiring	S1-37320055004	S1-37320055004	S1-37320055004
35*	Harness, Compressor	S1-02531884000	S1-02531884000	S1-02531884000
36*	Harness, Wire (3 Wire)	S1-37326955004	S1-37326955004	S1-37326955004
37*	Orifice, Refrigerant (0.075)	S1-02919387017	---	---
38*	Wiring Diagram	544123	544123	544123
39	Relay, Start	---	S1-02425053000	---
40	Capacitor, Start	---	S1-02425076700	---

NOTE: *Not ShownNew replacement parts shown in **bold** face type at the first printing of parts list dated 6/10.

Major components and suggested stocking items are shown with shaded item number.

"←" Across from row indicates a change in that row.

--- Not applicable to specified model.

TO ORDER AUTHORIZED FACTORY REPLACEMENT PARTS - Contact your Source1 HVAC Parts Distributor or visit our website at www.Source1Parts.com for a Distributor and Dealer listing.

Subject to change without notice. Published in U.S.A.
Copyright © 2010 by Johnson Controls, Inc. All rights reserved.

035-22804-001 Rev. C (0610)
Supersedes: 035-22804-001 Rev. B (0310)

Johnson Controls Unitary Products
5005 York Drive
Norman, OK 73069