

SUBMITTAL DATA SHEET



10 SEER SPLIT SYSTEM HEAT PUMPS
1.5 THRU 5 TON SINGLE PHASE MODELS: BRHS
3, 4, 5 & 7.5 THREE PHASE MODELS: EABA

JOB NAME:			LOCATION:		
PURCHASER:			ORDER NO:		
ENGINEER:					
SUBMITTED TO:		FOR:	REF:	APPROVAL:	CONSTRUCTION:
SUBMITTED BY:			DATE:		
UNIT DESIGNATION:			SCHEDULE NO.	MODEL NO.	

PRODUCT DATA

Cooling Performance

Total Capacity _____ MBH
 Sensible Capacity _____ MBH
 Outdoor Design Temp _____ °F

Heating Performance

Total Capacity _____ MBH
 Outdoor Design Temp _____ °F

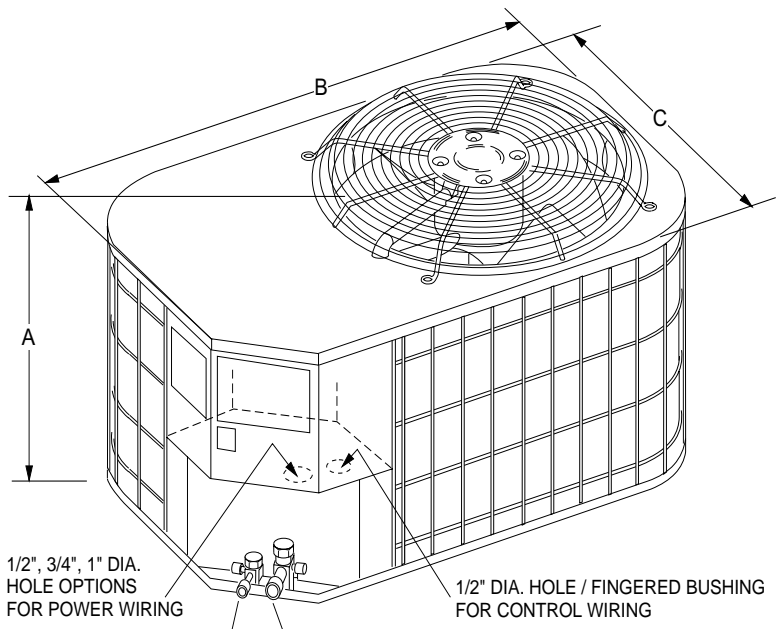
Electrical Data

Power Supply _____ / /
 Total Unit Ampacity _____ AMPS
 Power Input Req _____ KW
 Minimum Wire Size _____ AWG
 Maximum Overcurrent Device
 Fuses Circuit Breaker _____ AMPS

Unit Weight

Total Unit Weight _____ LBS

DIMENSIONS - INCHES



UNIT MODEL EABA / BRHS	DIMENSIONS			REFRIGERANT CONNECTION	
	A ¹	B	C	LINE SIZE	
				LIQUID	VAPOR
018	19	25	23	3/8"	3/4"
024	25	35	23		
030	25	35	23		
036	25	35	23		
042	27	37	27		
048	33	37	27		
060 1Ø	39	37	27	7/8"	
060 3Ø	26	43	32		
090	32	43	32	1/2"	1-1/8"

1. Includes fan guard.

FEATURES

- UL approval (units & accessories)
- CUL listed
- Certified in accordance with the Unitary Small Equipment certification program, which is based on ARI Standards 210/240
- 5-year limited parts warranty on 1 and 3 Ø models
- 5-year limited warranty on the compressor
- Copper tube/coated black aluminum fins
- Time-temperature defrost control
- Condenser fan molex plug
- Internally protected compressor
- Suction line accumulator
- Top discharge propeller type fan
- PVC wire coated fan guard and 2" x 4" coil guard
- Pre-painted steel cabinet
- Standard solid core discharge line filter-drier
- R-22 total system charge (thru 15 ft of lines)
- Sweat connections with re-usable service valves

MATCHING AIR SIDE EQUIPMENT

Model No. (_____)
 Submittal Form No. (_____)

CLEARANCES

Service Access	18 Inches
All Other Sides	10 Inches
Above Unit	60 Inches
Below Unit	0 Inches

FIELD INSTALLED ACCESSORIES

- Thermostat (_____)
 Thermal Expansion Valve Kit (_____)
 Add-on Control (2AC02700701) (_____)
 Outdoor Thermostat (2TD06700124) (_____)
 Low Temperature Cutout (2LT06700224) (_____)

NOTES:
